



OPERATING INSTRUCTIONS FOR:

AC Cortina Silent 12K Duo



Visit woods.se for more information and updated instruction manuals.

For extended warranty register your product at warranty-woods.com

GB	<i>Operating Instructions</i>	PL	<i>Instrukcja obsługi</i>
SE	<i>Bruksanvisning</i>	FI	<i>Käyttöohjeet</i>
NO	<i>Bruksanvisning</i>	LT	<i>Naudojimosi instrukcija</i>
DK	<i>Betjeningsvejledning</i>	LV	<i>Lietošanas instrukcija</i>
DE	<i>Bedienungsanleitung</i>	EE	<i>Kasutusjuhend</i>
FR	<i>Guide d'instructions</i>	GK	<i>Greek</i>
NL	<i>Gebruiksaanwijzing</i>	IS	<i>Icelandic</i>

Visit our website to:

Get usage advice, updated brochures, troubleshoot and service information

Register your product for additional services:
www.warranty-woods.com

CUSTOMER CARE AND SERVICE

Always use original spare parts.

When contacting our Authorised Service Centre, ensure that you have the following data available:
Model number, receipt and serial number.

The refrigerant used in portable air conditioner is the environmentally friendly hydrocarbon R290. This refrigerant is odorless, and compared to the alternative refrigerant, the R290 is an ozone-free refrigerant.

Warning / Caution-Safety information.
General information and tips.
Environmental information.
Subject to change without notice.



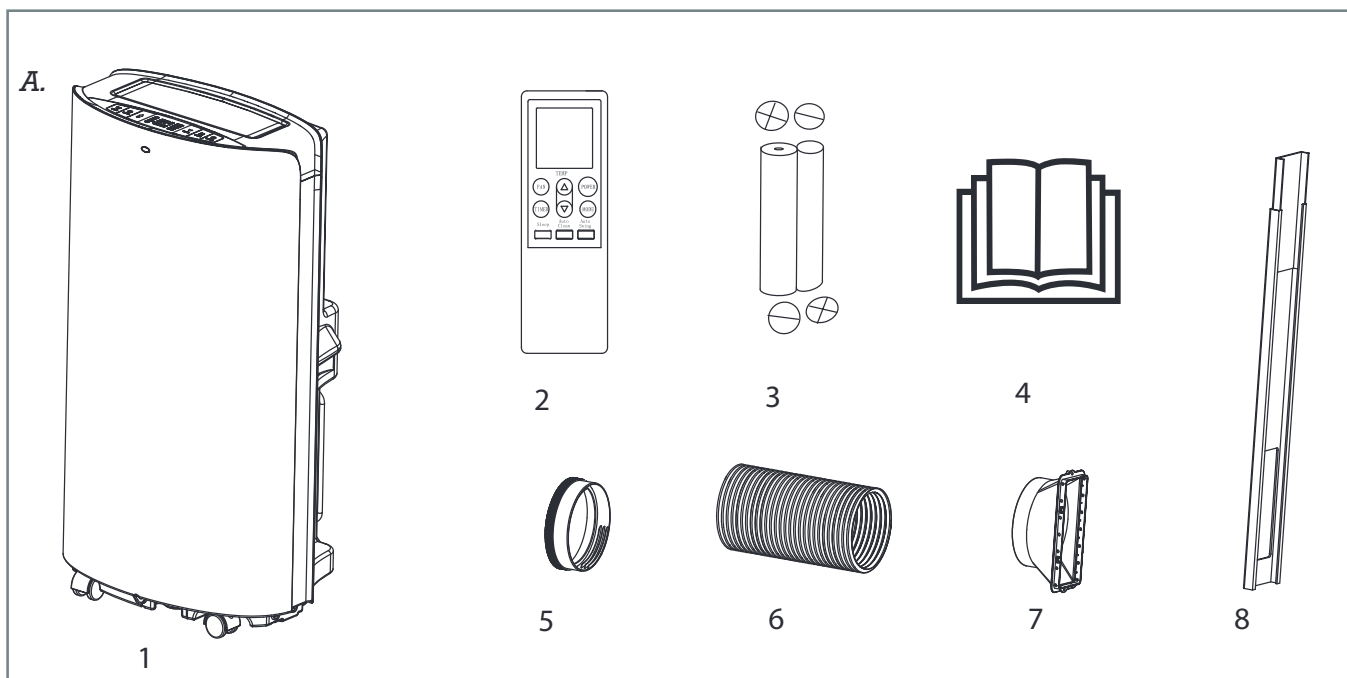
CONTENTS:

PAGE NO.

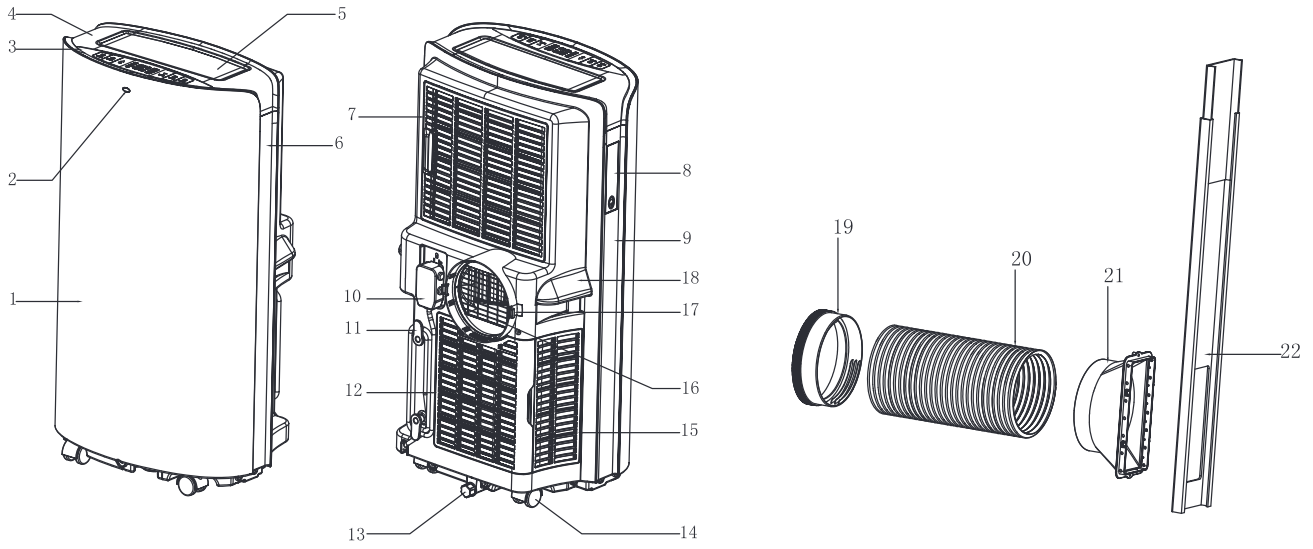
TABLE OF CONTENTS

OPERATING INSTRUCTIONS

<i>English</i>	12-20
<i>Swedish</i>	21-29
<i>Norwegian</i>	30-38
<i>Danish</i>	40-47
<i>German</i>	48-56
<i>French</i>	59-65
<i>Dutch</i>	66-74
<i>Polish</i>	75-83
<i>Finnish</i>	84-92
<i>Lithuanian</i>	93-101
<i>Latvian</i>	102-110
<i>Estonian</i>	111-119
<i>Greek</i>	120-128
<i>Icelandic</i>	129-137

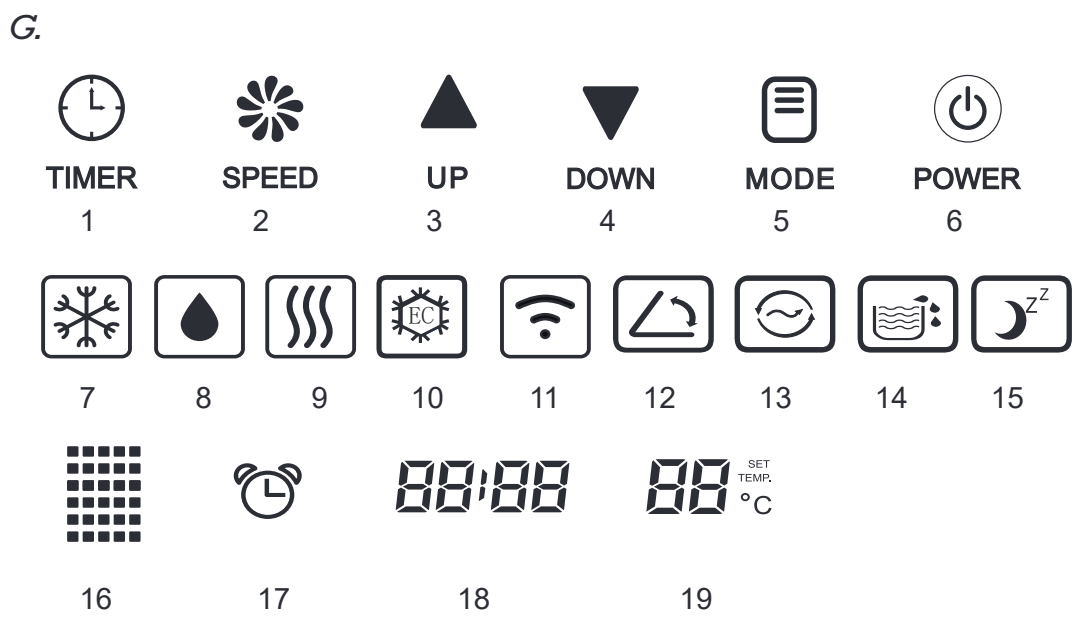


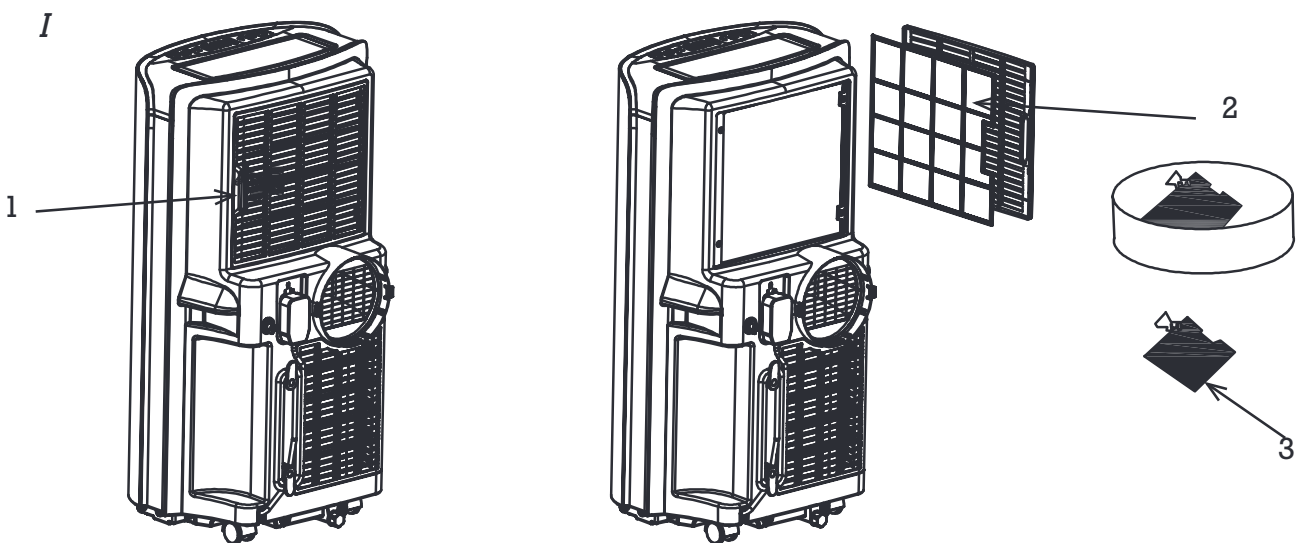
C

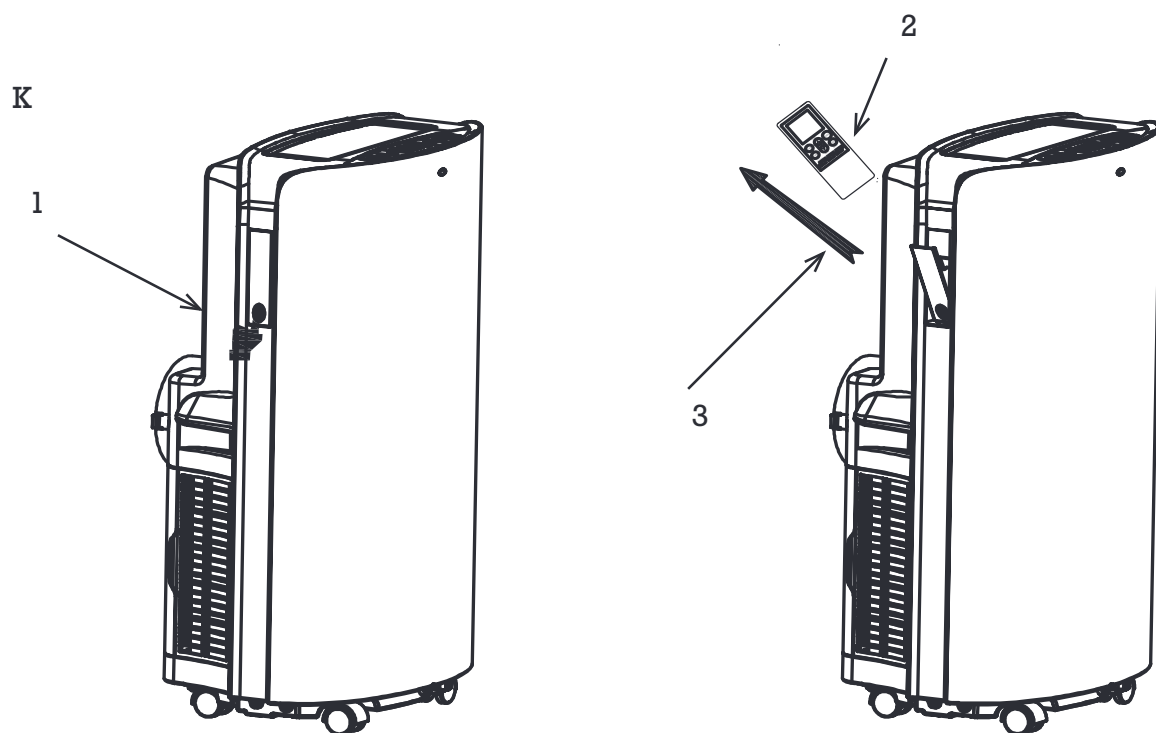
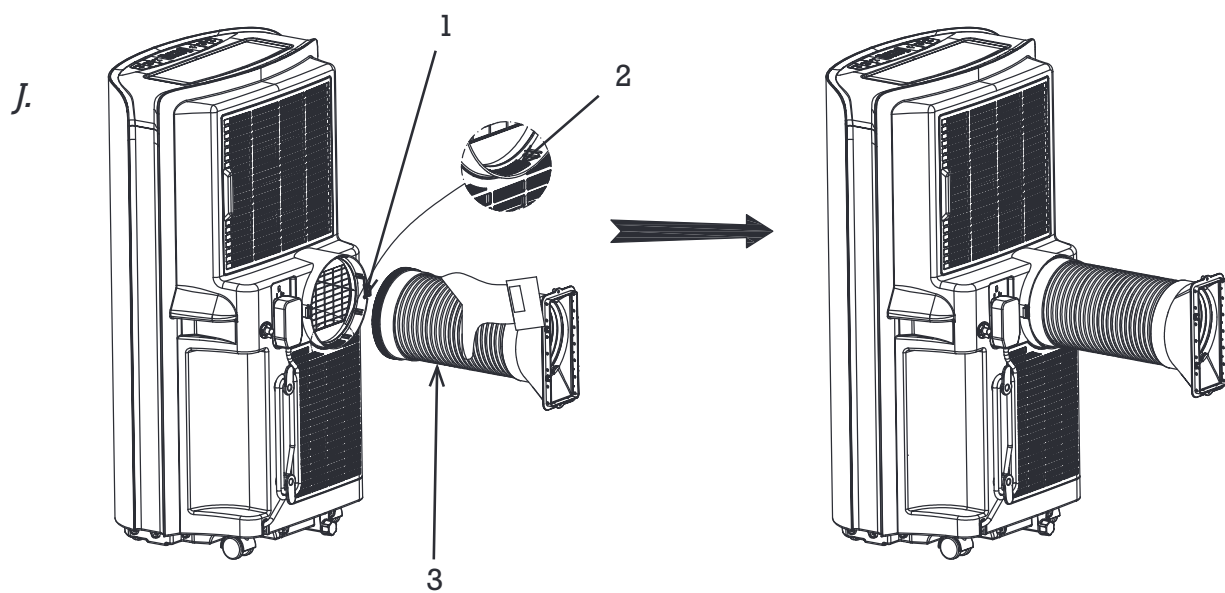


D

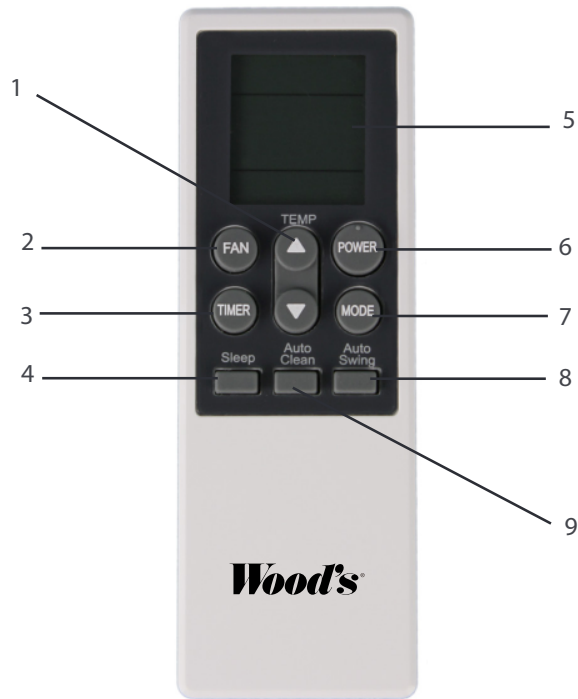




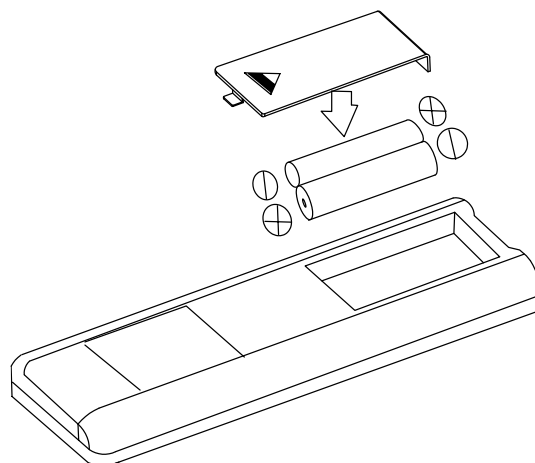




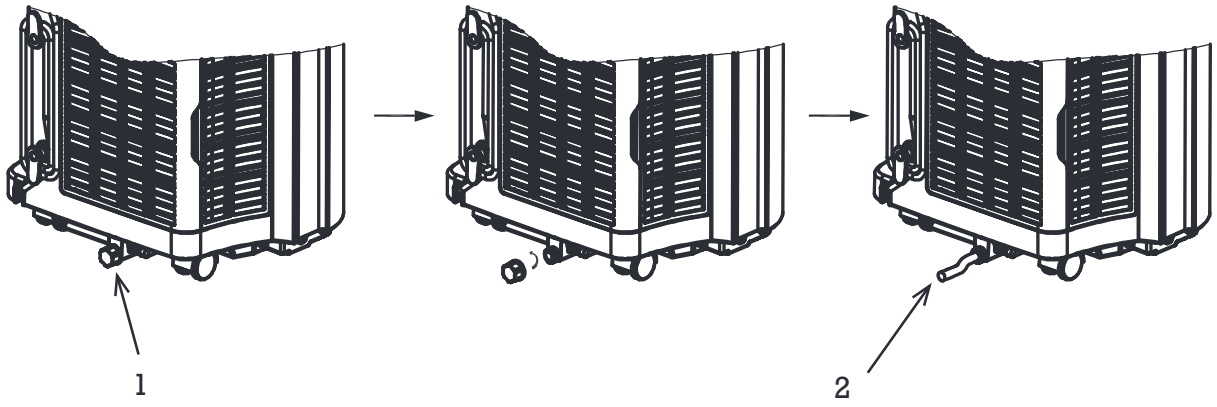
L



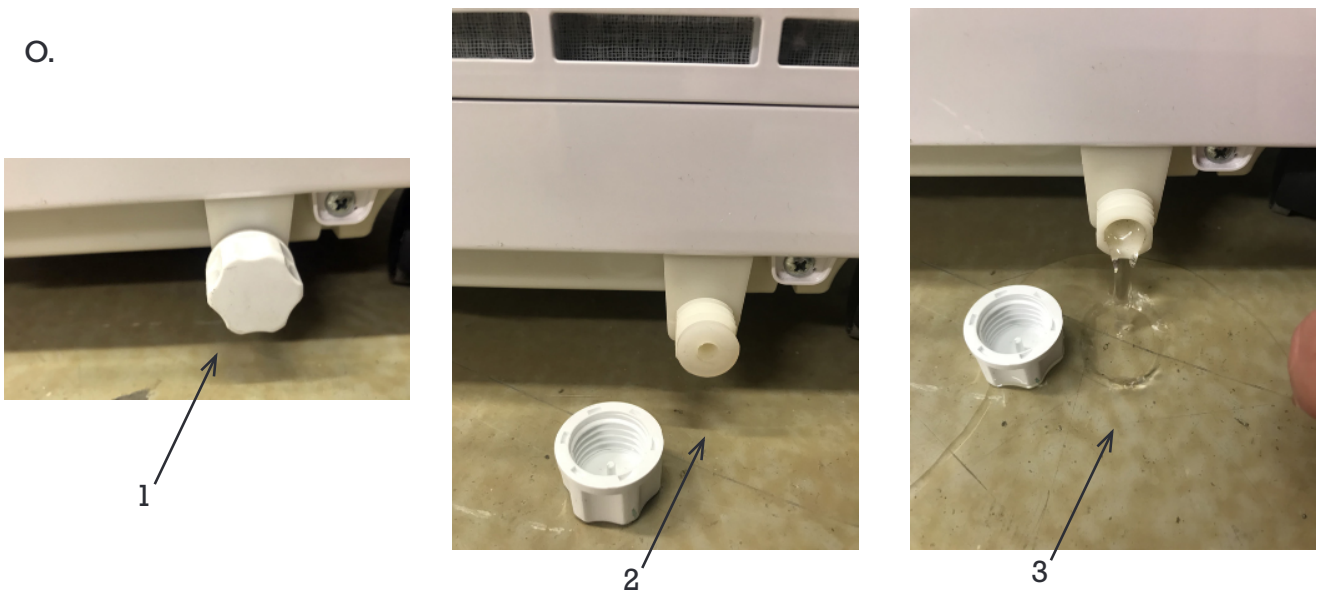
M



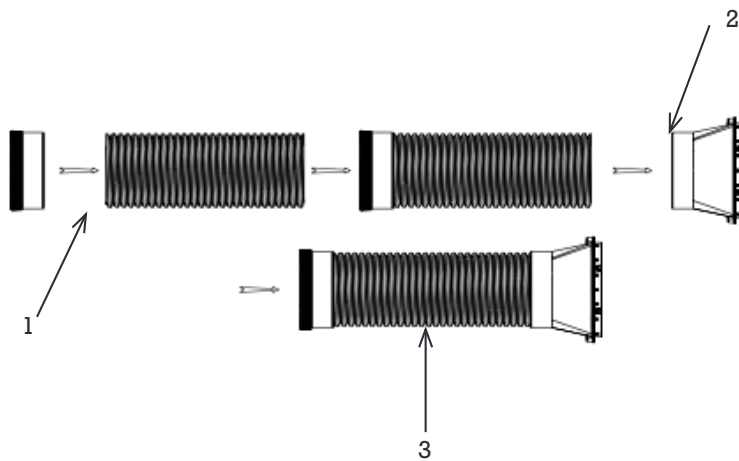
N.



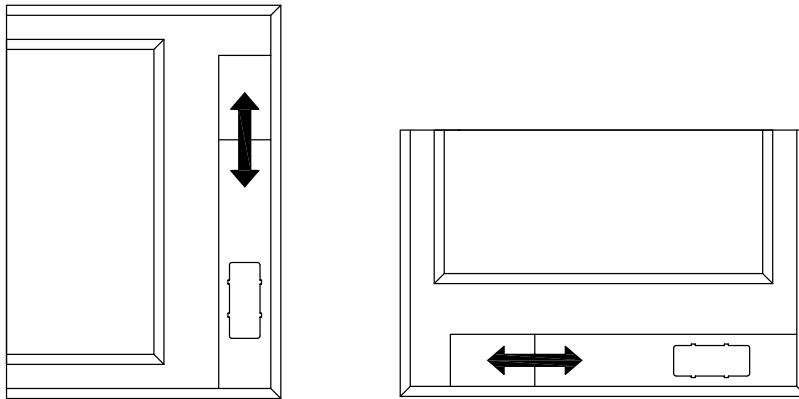
O.



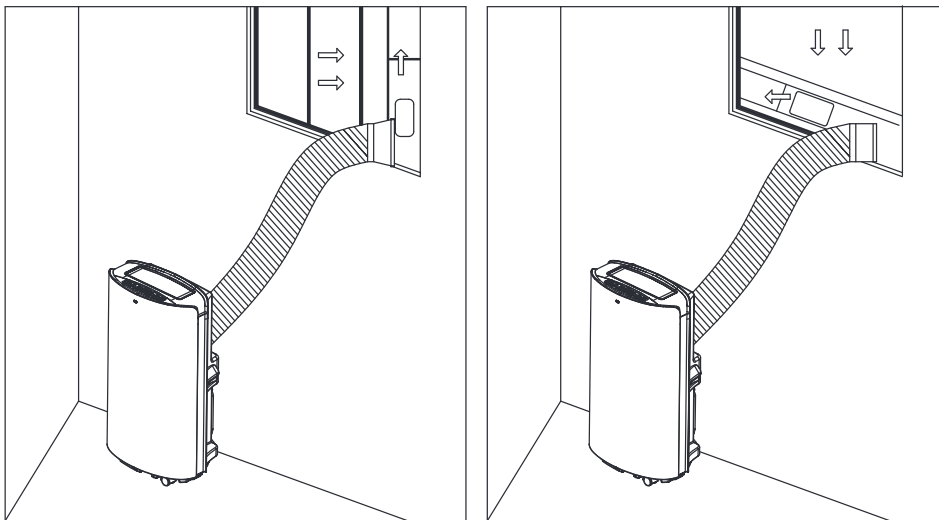
P.



Q



R.



WOOD'S FOR CLEAN AND HEALTHY INDOOR AIR

The brand Wood's was born with the Wood's family over 65 years ago in the Canadian city of Guelph, Ontario. This is where Wood's began developing and manufacturing dehumidifiers in 1950. Since then Wood's has helped several hundred thousand households to prevent damages from mould damp, and to breathe cleaner air. Our portable air conditioners are suitable for use in most climates, where capacity is good even at different temperatures and humidity levels. They are used with good results in premises that become hot such as livingrooms, offices or bedrooms. The amount of hot air that the air conditioner removes depends on the temperature, humidity level and placement. External weather conditions may also affect the performance of the air conditioner.

Wood's air conditioners are safe in operation and intended for continuous use over many years.

HOW DOES THE AIR CONDITIONING UNIT WORK?

Low pressure gives cold air

The main element of the air conditioner is a coolant, which under low pressure is converted to gas. The process "creates cold", which is transmitted inward, while keeping the warm air out.

A liquid coolant is passed through an expansion valve and into a pipe where the pressure is low.

The coolant evaporates and turns into a gas. The process absorbs heat from the surroundings and the pipe is cooled.

A fan blows the cold air into the room.

The gas is passed through a compressor, which increases the pressure and converts the gas into liquid.

In this process, heat is released, which is led to pipes on the opposite side and blown out by a fan.

A thermostat shuts off the unit when the indoor air is cold enough.

1. SECURITY WARNINGS



Flammable material. This appliance contains R290/Propane a flammable refrigerant.



Refer to this manual for safety information.



Read technical manual



Read operators manual.

SAFETY INFORMATION

Before the installation and use of the appliance, carefully read the supplied instructions. The manufacturer is not responsible if an incorrect installation and use causes injuries and damages. Always keep the instructions with the appliance for future reference.

Children and vulnerable people safety

WARNING



Risk of injury or permanent disability.

This appliance can be used by children aged 8 years and above and persons with reduced physical, sensory or mental capabilities or lack of experience and knowledge if they have been given supervision or instruction concerning use of the appliance in a safe way and understand the hazards involved.

Do not let children play with the appliance.

Children of less than 3 years should be kept away unless continuously supervised.

Keep all packaging away from children.

Cleaning and user maintenance shall not be made by children without supervision.

General Safety

This appliance is intended to be used in household and similar applications such as: Family room, living room, staff kitchen areas in shops, offices and other working environments. The rating plate is located at the side or back of the Air Conditioner.

Keep ventilation openings clear of obstruction.

Do not use mechanical devices or other means to accelerate the defrosting process, other than those recommended by the manufacturer.

The appliance shall not be stored in a room with operating ignition sources (for example: open flames, an operating gas appliance or an operation electric heater. Do not pierce or burn.

Be aware that refrigerants may not contain an odour. Do not use water spray and steam to clean the appliance. Clean the appliance with a moist soft cloth. Only use neutral detergents. Do not use abrasive products, abrasive cleaning pads, solvents or metal objects.

If the supply cord is damaged, it must be replaced by the

manufacturer, its Authorised Service Centre or similarly qualified persons in order to avoid a hazard.

SAFETY INSTRUCTIONS

Installation

WARNING



Only a qualified person must install this appliance.

Remove all the packaging.

Do not install or use a damaged appliance. The appliance shall be installed, operated and stored in a room with a floor area larger than 12,5 m². Obey the installation instruction supplied with the appliance.

Always be careful when you move the appliance because it is heavy.

Always wear safety gloves. Be aware that refrigerants may not contain an odour.

Make sure the air can circulate around the appliance.

Wait at least 4 hours before connecting the appliance to the power supply. This is to allow the oil to flow back in the compressor. Do not install the appliance close to radiators or other heat sources. Do not install the appliance where there is direct sunlight.

Electrical connection

WARNING



Risk of fire and electrical shock.

The appliance must be connected to a grounded outlet.

Make sure that the electrical information on the rating plate matches with the power supply. If not, contact an electrician.

Always use a correctly installed shockproof socket.

Do not use multi-plug adapters and extension cables.

Make sure not to cause damage to the electrical components (e.g. mains plug, mains cable).

Contact the Authorised Service Centre or an electrician to change the electrical components.

The mains cable must stay below the level of the mains plug.

Connect the mains plug to the mains socket only at the end of the installation.

Make sure that there is access to the mains plug after the installation.

Do not pull the mains cable to disconnect the appliance. Always pull at the mains plug.

Use

WARNING



Risk of injury, burns, electrical shock or fire.

Do not change the specification of this appliance.

Be careful not to cause damage to the refrigerant circuit. It contains propane (R290), a natural gas with a high level of environmental compatibility. This gas is flammable.

If damage occurs to the refrigerant circuit, make sure that there are no flames and sources of ignition in the room. Ventilate the room.

Do not put flammable products or items that are wet with flammable products near or on the appliance.

Disposal

WARNING



Risk of injury.

Disconnect the appliance from the mains supply.

Cut off the mains cable and discard it.

The refrigerant circuit of this appliance is ozone-friendly.

Contact your municipal authority for information on how to discard the appliance correctly.

Do not cause damage to the part of the cooling unit that is near the heat exchanger.

SET UP AIR CONDITIONER FOR INSTALLATION

IMPORTANT:

2. Installation

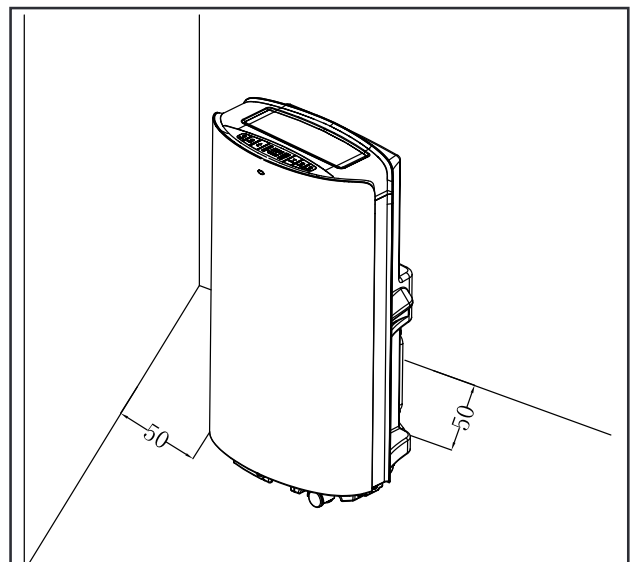
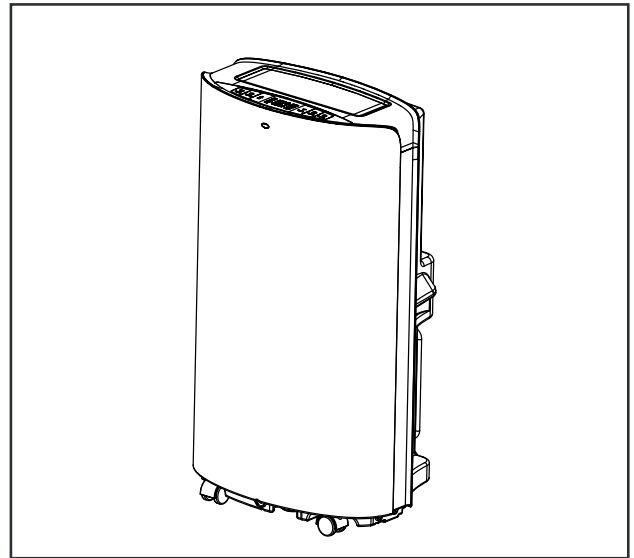
BEFORE FIRST USE

Let the machine stand up for 4 hours before use

Selecting a Location

Important

1. This air conditioner may be moved around indoor conveniently; keep the unit in upright position while moving it. The air-conditioner shall be placed at a flat surface.
Do not install or operate this air-conditioner in a bathroom or other wet environment.
Since a portable air conditioner is on wheels, it is easy to change positions. When the heat turns on, you just move your portable air conditioner into the room and can quickly get started cooling the space. Air conditioner must be operated in an enclosed area to be most effective.
Close all doors, windows, and other outside openings to the room. The effectiveness of the Air Conditioner depends on the temperature and humidity level.
2. Place the air conditioner in a location that does not restrict airflow through the front of the unit.
3. An Air Conditioner operating in a room will have little or no effect in drying an adjacent enclosed storage area, such as a closet, unless there is adequate circulation of air in and out of the area. A portable Air Conditioner evacuates the heat from the unit with a ventilation hose through a window or exhaust air valve.
4. There should be a minimum of 50 cm distance between Air Conditioner and closest object. See picture for reference.



PRODUCT DESCRIPTION

3. Product description

A

1. Main Air Conditioner Unit
2. Remote Control
3. Batteries
4. User manual
5. Round connector
6. Hot - Air exhaust hose
7. Adapter
8. Window kit

B

1. Side view of main air conditioner

C

1. Front panel
2. Remote control receiving window
3. Control panel
4. Top panel
5. Horizontal louver
6. Right decoration board
7. Upper filter assembly of back panel
8. Remote control compartment
9. Left decoration board
10. Power cord with plug
11. Winding-pillar
12. Lower filter assembly of back panel
13. Drain cover
14. Universal wheel
15. Filter assembly of side panel
16. Protective grid
17. Fastener
18. Handle
19. Round connector of exhaust hose
20. Exhaust hose
21. Adapter of exhaust hose
22. Window kits

D

1. Back view of main air conditioner

E

1. Air outlet
2. Control panel

F

1. Control panel

G

1. Timer button
2. Speed button
3. Up button
4. Down button
5. Mode button
6. Power button
7. Cool mode indicator
8. Dehumidify mode indicator
9. Fan mode indicator
10. Energy conversation mode indicator
11. WiFi indicator
12. Auto swing function indicator
13. Auto clean function indicator
14. Water full indicator
15. Sleep mode indicator
16. Fan speed indicator
17. Timer indicator
18. Time of timer indicator
19. Temperature indicator

H

1. How to remove the filters

I

1. Grip the filter handle and pull it out gently in correct direction.
2. Clean the dirty particles in filter by cleaner if it is necessary.
3. Immerse and wash the filter gently into warm water (about 40 C) mixed with neutral cleaner, and then rinse and dry them thoroughly in the shade.

J

1. Fastener
2. Slot
3. Exhaust hose assembly

K

1. Remote control box
2. Remote control
3. Remote control hold direction

L

1. Up and down button
2. Fan speed button
3. Timer button
4. Sleep button
5. LCD display window
6. Power button
7. Mode button
8. Auto swing button
9. Auto clean button

M

1. Before using your remote, install the AAA batteries into the remote control.

N

1. Drain cover
2. Drain hose

O

1. Drain cover
2. Drain stopper
3. Water out

P

1. Extend one end of exhaust hose, screw the end without slot of round connector onto it with anticlockwise direction at least 3 laps.
2. Extend another end of exhaust hose, screw the adapter onto it with anticlockwise direction at least 3 laps.
3. Exhaust hose assembly

Q

1. Keep two ends of window seal plates to meet the window edges well, to ensure seal effect.

R

1. Ready to use air conditioner

FUNCTION OF THE OPERATION MODES AND INSTALLATION DESCRIPTIONS

Installation

If the unit has been transported horizontally, keep it in an upright position for 4 hours before using it.

Place the unit on a flat and solid surface. Do not install the unit in bathrooms or other wet environments.

Make sure that air flow isn't blocked, always keep at least 50 cm distance to surrounding surfaces.

INSTALLING THE EXHAUST HOSE

1. Extend one end of exhaust hose, screw the end without slot of round connector onto it with anticlockwise direction at least 3 laps.
2. Extend another end of exhaust hose, screw the adapter onto it with anticlockwise direction at least 3 laps.
3. Extend the exhaust hose and lead it outside through a door or window.

USING THE WINDOW KIT

1. To use the window kit, open the window and place the window kit either horizontally or vertically, depending on the window.
2. Adjust the length of the window kit and fasten it with the screws.
3. Shut the window and attach the adapter on the exhaust hose to the window kit.

USING THE WINDOW KIT

Before using your remote, install the AAA batteries into remote control.

1. Press and slide the battery cover on the back of the remote control, then you can remove the cover.
2. Insert two new alkaline AAA batteries into the battery compartment, being sure to note the proper polarity.
3. Put back the battery cover, making sure the locking tab clicks into place.

Use alkaline batteries only. Do not use rechargeable batteries.

When replace batteries, always replace both batteries with new batteries, do not mix old and new batteries.

If the air conditioner will not be used for an extended period of time, remove the batteries from the remote control.

Operating instructions

1. Starting the unit. Press the POWER button to start and stop the unit.
2. Select mode. The unit has 4 different modes: cooling, dehumidify, energy conservation and fan mode. Press MODE on the control panel or remote control to select mode.

- Cooling mode: Set desired temperature with the arrows on the control panel or the remote control. Set temperature is shown in the display.
- Dehumidify. In dehumidify mode, the fan will run on low speed only. Temperature cannot be set.
- Fan mode. The compressor stops and only the fan will run. Temperature cannot be set.
- Energy conservation mode. Low energy consumption under Energy Conservation mode. When the ambient temperature is higher than the set temperature, the unit operates in cool mode. When the ambient temperature reaches the set temperature, the compressor stops running and the upper fan also stops running. After 2 minutes and 30 seconds, the upper fan will run at low speed for 30 seconds. If the compressor does not start (that is, the ambient temperature is lower than the set temperature), the upper fan will repeatedly operate in this mode (stop for 2 minutes 30 seconds / low wind operation for 30 seconds).

3. Set timer.

- To set timer for shut off, press the TIMER button when the unit is operating.
- To set timer for start, press the TIMER button when the unit is switched off.

Set time with the up and down arrows on the control panel or remote control. When the timer is activated, a light is shown on the control panel.

4. Set fan speed. Press the SPEED button on the control panel to choose fan speed. On the remote control, press the FAN button to choose fan speed.

5. Celsius/Fahrenheit On the control panel, press the up and down arrows at the same time to switch between Celsius and Fahrenheit.

6. Sleep mode. Use the sleep mode during the night and the unit will not disturb your sleep. When in cooling mode, press the TIMER and UP together to enter sleep mode. On the remote, press the SLEEP button. Press again to deactivate.

7. Auto swing function. Press the TIMER and SPEED button at the same time to activate swing function. On the remote, press the Auto-swing button. Press again to deactivate.

8. Auto clean function. Press the AUTO-CLEAN button on the remote control to clean the unit internally. The unit will clean for 3 minutes before shutting off.

PROTECTION FUNCTIONS

Automatic defrost

The unit will automatically defrost when needed. In defrost mode, the display shows E4 and no buttons except the POWER button are active.

Compressor protection

The unit has a compressor protection function causing a 3-minute start delay after the unit is restarted.

Water full alarm

When the water tank is full, the unit will stop working. A water-full indication light is shown in the display and a warning sound is heard. Empty the water tank and restart the unit.

FUNCTION OF THE OPERATION MODES AND INSTALLATION DESCRIPTIONS

Water drainage instruction

Empty the water tank

Unscrew the drain cover and remove the water stopper. Empty the water tank and reattach the water stopper and drain cover.

Notes:

- Move the unit carefully to avoid leakage.
- Tilt the unit slightly backwards when draining.
- Block the drain hole as soon as possible before the tray is full if it cannot hold all water in the unit to prevent the water leakage and wet the floor or carpet.
- Water stopper and drain cover must be tightly installed, to avoid new condensate to wet the floor or carpet when the unit re-starts working.

Connecting a water hose for continuous drainage

Unscrew the drain cover and remove the water stopper. Attach a 13 mm water hose to the pipe on the unit. Lead the other end of the water hose to a drain. Make sure that the water can be drained downwards.

Notes:

- Drain hose must be installed when there's no water in the tray.
- It is suggested that not to use continuous drainage when unit is in COOL mode, to ensure enough water recycle in the unit to enhance the system cooling effects.
- Put the drain hose in an inaccessible place, not higher than drainage hole and keep drain hose straight without any flexure.
- Keep the drain cover and its stopper properly when continuous drainage is adopted.

The air filter

The air filter prevents dust and dirt from entering the machine, prolonging its life

expectancy. It is important the filter is cleaned regularly. otherwise the unit may be seriously damaged. Therefore, clean the filters at least once every two weeks.

Filter cleaning

1. Remove the filter.
2. Wash it with warm water and a mild cleansing agent. Alternatively the filter may be vacuum cleaned.
3. Let the filter dry and put it back.

Filter installation

Aim the end of the filter toward slot then push filter gently into slot.

Notes:

- Be sure to install the filter to side panel then for the filter to back panel.
- Install the filter with opposite direction of removal.
- Install the filter into place gently to avoid any damage to filter.

It is very important that the filter is cleaned regularly; otherwise the air conditioner might lose capacity and even be seriously damaged.

Storage instructions

Remote Control Storage

1. Insert remote controller into built-in compartment in left side of unit.
2. Press the lower part of built-in compartment gently to open it and take out remote controller.

End of Season Storage

1. Screw off the drain cover and pull out the stopper to drain condensate water completely.
2. Keep unit running in fan mode for half day to dry inside of unit completely to prevent from going moldy.
3. Turn off the unit, pull out plug then wrap the power cord around the wire-winding pillar, insert the plug into

the universal fixing hole at the back panel of the unit, install the water stopper and drain cover.

4. Remove the heat exhaust hose assembly, clean and keep it properly.

Notes:

- Hold the exhaust hose assembly with both hands when removal.
 - Push the fasteners aside on exhaust air outlet using your thumbs, then pull out exhaust hose assembly.
5. Pack the air-conditioner properly with soft plastic bag and put it in dry place with appropriate dust-proof measures, and keep the unit away from children.
 6. Take out the batteries from the remote control and keep it properly.

Note:

- Assure the unit is stored in a dry place.
- All accessories of the unit shall be protected together properly.

Maintenance

Clean the condenser with Wood's cleaning detergent. Read more about how to clean your unit at woods.se Clean the unit with a soft moist cloth. Do not use solvents or strong cleaners as this might damage the surface of the unit.

Service

If the Air Conditioner requires servicing, you must first contact your local retailer. Proof of purchase is required for all warranty claims.

PROBLEM	CAUSE	REMEDY
The unit fails to start up	Power supply failure Water-full and its icon lighting Ambient temperature too low or low high The room temperature is lower than the set temperature in cooling mode or higher temperature in heating mode	Connect the unit to a live socket and turn it on Drain the water stored in the unit. It is recommended to use this unit between 8-35 Change the set temperature
Bad cooling effects	There is direct sunlight The doors and windows are open, the room is crowded or there are other heat sources Dirty filter Air inlet or air outlet clogged	Close the window curtain Close the door and window, remove other heat sources Clean or replace the filter mesh Remove the obstruction
High noise level	The unit is being placed at uneven surface.	Put the unit at a flat and firm place (may reduce noise)
The compressor does not work	Initiation of overheat protection	Wait until the temperature decrease, the unit will re-start automatically
The remote control does not work	Too long distance The remote control didn't aim at signal receptor on unit. The batteries have no electricity	Bring the remote control close to the air-conditioner and ensure aims at signal receptor on unit. Replace the batteries
<p>If you are having trouble with your dehumidifier, please refer to below trouble shooting. If nothing of the below works, please contact your retailer for servicing of your Air Conditioner.</p>		

Error Codes		
CH01	Room temperature sensor failure	Check the room temperature sensor and related circuits
CH02	Tube temperature sensor failure	Check the tube temperature sensor and related circuits
E4	Anti-freeze protection	Restore the functions automatically once anti-freeze protection is over.
FL	Water tank in chassis is full	Drain the condensate and re-start the unit

Guarantees

2 years consumer warranty against production faults. Please note that the warranty is only valid upon the production of the receipt. The warranty is only valid if the product is used in accordance with the instructions and security warnings expressed in this manual. The warranty does not cover any damages caused by improper handling of the product.

NOTE: The 2 years warranty only applies for consumers and not for commercial use of the unit.



NOTE!

Register at www.warranty-woods.com and read about how to get extended warranty. Please visit www.woods.se for more information.

Recommended limits for use

The best operating ambient temperature for cooling is 17-35 °C. The unit runs up to +45°C .Fuse Parameter: ϕ 5.0x20mm 3.15A, 250Vac.

TECHNICAL DATA	AC Cortina 12K Duo
Cooling capacity	3.520 W
Power consumption	1.350 W
Air flow:	420m ³ / h
Energy class	A
Dehumidification	33,6 L / 24h
Temperature setting	17-30°C
Working temperatur	16-45°C
EER	2,6
Exhaust hose lenght	1,5 m
Diameter of the exhaust hose	15 cm
Refrigerant gas	R290/260g
Noise level in decibels	56dB / 64dB
Weight	33,4 kg
Dimensions in mm, L x Bx H	850x471x355

*Technical changes and improvements may occur. All values are approximate and may vary due to external circumstances such as temperature, ventilation and humidity.



*This marking indicates that this product should not be disposed with other household wastes throughout the EU. To prevent possible harm to the environment or human health from uncontrolled waste disposal, recycle it responsibly to promote the sustainable reuse of material resources. To return your us device, please use the return and collection systems or contact the retailer where the product was purchased. They can take this product for environmental safe recycling.

WiFi function

1. Download and Install APP

Download Woods Connect app from App Store or Google Play

1. Register/Login/Forgot password

Register

If you don't have an App account, register an account or sign in with verification code by SMS.

This page describes the registration process.

1. Tap to enter registration page
2. The system automatically recognises your country / area. You can also select your country code. Enter the mobile number/E-mail and tap "Next".
3. If you enter the mobile number, then enter the verification code in the message and enter the password tap "Confirm" to finish your registration.
4. If you enter the E-mail enter the password and tap "Confirm" to finish your registration.

2. Sign in with username and password or verification code via SMS

Sign in with username and password

1. The system automatically recognises your country / area. You can also select your country code. Enter the mobile number/E-mail and tap "Next"
2. Enter your registered mobile number or Email, and password to login.

Sign in with verification code

1. Tap "Sign in with SMS verification" to new page
2. The system automatically recognises your country / area. You can also select your country code by yourself.

Forgot password

If you forgot your password, please

follow these procedures:

1. Tap "Forgot password"
2. The system automatically recognises your country / area. You can also select your country code by yourself. Enter the mobile number/E-mail and tap "Next"
3. Enter the verification code in the message/E-mail and enter the new password tap "Confirm" to finish.

WiFi Woods Connect supports below functions:

Power on/Power off
Cool Mode
Dehum Mode
Fan Mode
Eco Mode
Temperature settings
Speed: Low, Medium and High
Timer: 1-24 h
Sleep: On/Off
Auto clean: On/Off
Lock: On/Off
Celsius/Fahrenheit
Swing: On/Off

3. Follow the procedures in the APP to enjoy WiFi.

Smart Home

If you have a Smart Home product please finish step 1 to 3.

Third-party Access Service: Tap a third-party voice service icon to see how to connect to the service. You find this icons

Smart Home Woods Connect supports below functions by voice command:

Power on/Power off
Temperature settings

For more information visit:

<https://woods.se/en/>

WOOD'S FÖR REN OCH HÄLSOSAM INOMHUSLUFT

Varumärket Wood's grundades av familjen Wood för mer än 65 år sedan i den kanadensiska staden Guelph, Ontario. Det var då, på 1950-talet, som Wood's började utveckla och tillverka avfuktare. Sedan dess har Wood's hjälpt hundratusentals hushåll med att förhindra skador orsakade av mögel till följd av ånga, och att luften de andas är renare. Våra portabla luftkonditioneringsaggregat lämpar sig för användning i de flesta klimat, där kapaciteten är bra även när temperaturen och luftfuktigheten varierar. De används med gott resultat i lokaler som blir varma, såsom vardagsrum, kontor eller sovrum. Mängden varm luft som luftkonditioneringsaggregatet avlägsnar beror på temperaturen, luftfuktigheten och aggregatets placering. Yttre väderförhållanden kan också påverka luftkonditioneringsprestanda.

Wood's luftkonditioneringsaggregat är säkra att använda och avsedda för kontinuerlig användning under många år.

HUR FUNGERAR LUFTKONDITIONERINGSENHETEN?

Lågt tryck ger kall luft

Den viktigaste komponenten i ett luftkonditioneringsaggregat är köldmediet, som under lågt tryck omvandlas till gas. Processen "skapar kyla" som överförs inåt, medan den varma luften stängs ute.

Ett flytande köldmedium passerar genom expansionsventilen och in i ett rör där trycket är lågt.

Köldmediet förångas och förvandlas till gas. Processen absorberar värme från omgivningen och röret kyls.

En fläkt blåser den kalla luften in i rummet. Gasen leds genom en kompressor som ökar trycket och omvandlar gasen till vätska.

I den här processen frigörs värme, som leds i rör på motsatt sida och blåses ut av en fläkt.

En termostat stänger av enheten när inomhusluften är tillräckligt kall.

1. SÄKERHETSVARNINGAR



Brandfarligt material. Denna apparat innehåller R290/ propan, ett brandfarligt köldmedium.



Se denna bruksanvisning för säkerhetsinformation.



Läs den tekniska manualen



Läs bruksanvisningen.

SÄKERHETSINFORMATION

Läs igenom de medföljande instruktionerna noggrant före installation och användning av apparaten. Tillverkaren tar inget ansvar för felaktig installation som orsakar personskador och materiella skador. Förvara alltid instruktionerna tillsammans med apparaten för framtida referens.

Barn och utsatta personers säkerhet

VARNING



Risk för personskada eller permanent invaliditet.

Denna apparat kan användas av barn från 8 år och uppåt och personer med nedsatt fysisk, sensorisk eller mental förmåga eller bristande erfarenhet och kunskap om de har fått tillsyn eller instruktioner om användning av apparaten på ett säkert sätt och förstå de faror som är inblandade.

Låt inte barn leka med apparaten.

Barn som är yngre än 3 år bör hållas borta om de inte övervakas kontinuerligt.

Förvara allt emballage utom räckhåll för barn.

Rengöring och underhåll får inte göras av barn utan uppsikt.

Allmän säkerhet

Denna apparat är avsedd att användas i hushåll och liknande tillämpningar såsom: familjerum, vardagsrum, personalkök i butiker, kontor och andra arbetsmiljöer. Märkskylten är placerad på sidan eller baksidan av luftkonditioneringsaggregatet.

Se till att ventilationsöppningarna inte är blockerade.

Använd inte mekaniska anordningar eller andra hjälpmedel för att påskynda avfrostningen än de som rekommenderas av tillverkaren.

Apparaten får inte förvaras i ett rum med antändningskällor som är aktiva (till exempel: öppen eld, gasdriven utrustning eller en elektrisk värmare. Får inte punkteras eller brännas.

Tänk på att köldmedier kan avge lukt. Använd inte vattenspray och ånga för att rengöra apparaten. Rengör apparaten med en fuktig, mjuk trasa. Använd endast neutrala rengöringsmedel. Använd inte slipmedel, den slipande sidan på kökssvampar, lösningsmedel eller metallföremål.

Om nätsladden är skadad måste den bytas ut av tillverkaren, dess auktoriserade servicecenter eller

liknande kvalificerade personer för att undvika fara.

SÄKERHETSFÖRESKRIFTER

Installation

VARNING



Denna apparat får endast installeras av en fackman. Ta bort allt emballage. Installera inte eller använd apparaten om den är skadad. Apparaten ska installeras, användas och förvaras i ett rum med en golvyta som är större än 12,5². Följ installationsanvisningarna som medföljer apparaten. Var alltid försiktig när du flyttar apparaten eftersom den är tung. Använd alltid skyddshandskar. Tänk på att köldmedier kan avge lukt.

Se till att luften kan cirkulera runt apparaten.

Vänta minst 4 timmar innan du ansluter apparaten till strömförsörjningen. Detta är för att oljan ska kunna rinna tillbaka in i kompressorn.

Installera inte apparaten nära radiatorer eller andra värmekällor. Installera inte apparaten på en plats där den utsätts för direkt solljus.

Anslutning till elnätet

VARNING



Risk för brand och elstötar. Apparaten måste anslutas till ett jordat uttag. Se till att den elektriska informationen på märkskylten

överensstämmer med strömförsörjningen. Om inte, kontakta en elektriker. Använd alltid ett korrekt installerat, stötsäkert uttag.

Använd inte grenuttag och förlängningskablar.

Se till att de elektriska komponenterna inte skadas (t.ex. stickkontakt, nätsladd). Kontakta det auktoriserade servicecentret eller en elektriker för att byta ut elektriska komponenter. Nätsladden måste vara placerad på en nivå som är under stickkontakten.

Anslut stickkontakten till eluttaget först när installationen är klar.

Se till att det är enkelt att komma åt stickkontakten efter installationen.

Dra inte i sladden när du ska koppla från apparaten. Håll alltid i stickkontakten när du ska dra ut sladden.

Använda

VARNING



Risk för brännskador, elstötar eller brand.

Ändra inte specifikationen för denna apparat.

Var försiktig så att inte köldmediekretsen skadas. Kretsen innehåller propan (R290), som är en miljövänlig naturgas. Gasen är brandfarlig.

Om skador uppstår på köldmediekretsen, får det inte finnas någon öppen låga eller antändningskällor i rummet. Vädra ut gasen.

Placera inte brandfarliga produkter

eller föremål som är våta med brandfarliga produkter nära apparaten.

Bortskaffning

VARNING



Risk för personskador.

Koppla bort apparaten från elnätet.

Klipp av nätsladden och släng den. Köldmediekretsen i denna apparat är ozonvänlig. Kontakta din kommun för information om hur du kasserar apparaten korrekt. Det är viktigt att delen på kylaggregatet som är närmast värmeväxlaren inte skadas.

FÖRBEREDA LUFTKONDITIONERINGEN FÖR INSTALLATION

VIKTIGT!

2. Installation

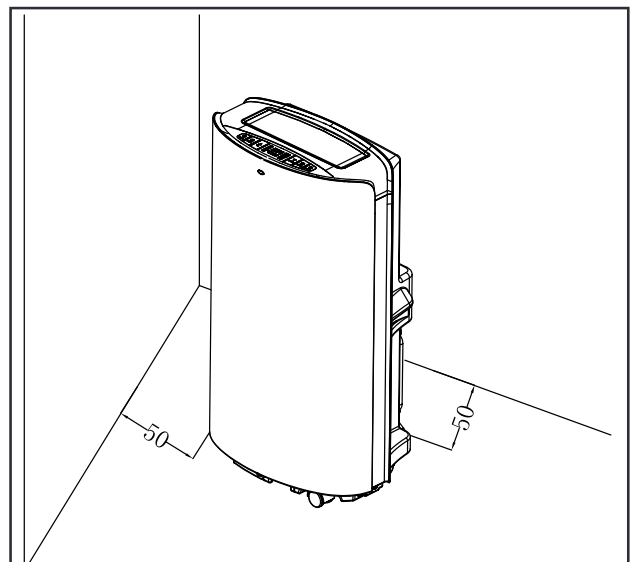
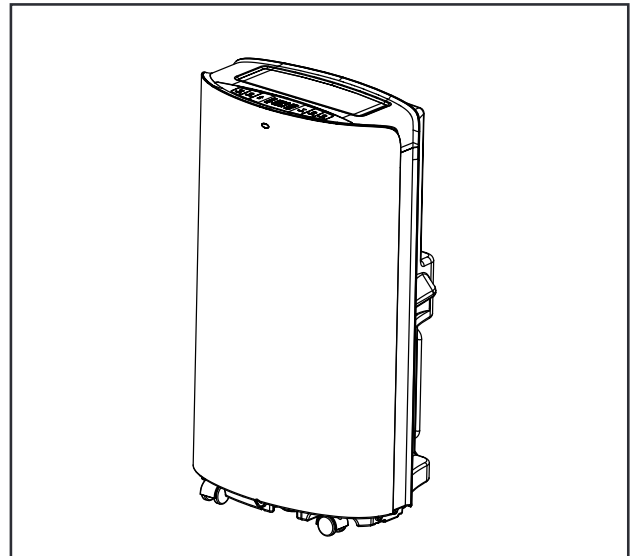
FÖRE FÖRSTA ANVÄNDNINGEN

Låt maskinen stå upprätt i 4 timmar före användning

Välja en plats

Viktigt

1. Denna luftkonditionering kan enkelt flyttas runt inomhus; se till att enheten hela tiden står upprätt när du flyttar den. Luftkonditioneringen ska placeras på en plan yta. Installera eller använd inte luftkonditioneringen i ett badrum eller andra våta miljöer. Eftersom en portabel luftkonditionering är på hjul, är det enkelt att flytta den. När värmen slås på flyttar du bara den portabla luftkonditioneringen till rummet och kan snabbt komma igång med att kyla utrymmet. Luftkonditioneringen måste användas i ett slutet utrymme för att kyla effektivt. Stäng alla dörrar, fönster och andra öppningar till utsidan i rummet. Luftkonditioneringens effektivitet beror på temperaturen och luftfuktigheten.
2. Placera luftkonditioneringen på en plats som inte begränsar luftflödet genom enhetens framsida.
3. Ett luftkonditioneringsaggregat som går i ett rum har liten eller ingen effekt på torkningen i ett intilliggande stängt förvarings-utrymme, t.ex. en garderob, såvida det inte finns tillräcklig luftcirkulation till och från utrymmet. Ett portabelt luftkonditioneringsaggregat leder ut värmen från enheten med hjälp av en ventilations slang som dragits genom ett fönster eller en frånluftsventil.
4. Avståndet mellan luftkonditioneringen och närmaste föremål bör vara minst 50 cm. Se bilden för referens.



PRODUKTBeskrivning

3. Produktbeskrivning

A

1. Luftkonditioneringsenhet
2. Fjärrkontroll
3. Batterier
4. Användarhandbok
5. Rund koppling
6. Frånluftssläng
7. Adapter
8. Fönstersats

B

1. Luftkonditioneringen sedd från sidan

C

1. Frontpanel
2. Signalmottagningsfönster, fjärrkontroll
3. Kontrollpanelen
4. Övre panel
5. Horisontellt spjäll
6. Höger dekorpanel
7. Övre filter på den bakre panelen
8. Fack för fjärrkontroll
9. Vänster dekorpanel
10. Nätsladd med kontakt
11. Upplindningspelare
12. Nedre filter på den bakre panelen
13. Dräneringslock
14. Universalhjul
15. Filter på sidopanelen
16. Skyddsnät
17. Fästelement
18. Handtag
19. Rund koppling för frånluftssläng
20. Frånluftssläng
21. Adapter för frånluftssläng
22. Fönstersatser

D

1. Luftkonditioneringen sedd bakifrån

E

1. Luftutlopp
2. Kontrollpanelen

F

1. Kontrollpanelen

G

1. Strömknapp
2. Hastighetsknapp
3. Upp-knapp
4. Ner-knapp
5. Lägesknapp
6. Strömknapp
7. Indikator, kyläge
8. Indikator, avfuktningläge
9. Indikator, fläktläge
10. Indikator, energisparläge
11. WiFi-indikator
12. Indikator, automatisk svängfunktion
13. Indikator, automatisk rengöringsfunktion
14. Indikator, vattenbehållare full
15. Indikator, viloläge
16. Indikator, fläkthastighet
17. Indikator, timer
18. Indikator, timertid
19. Temperaturindikator

H

1. Så tar du bort filtren

I

1. Greppa om filterhandtaget och dra försiktigt ut filtret i rätt riktning.
2. Vid behov, rengör filtret från smutspartiklar med rengöringsmedel.
3. Sänk ned och tvätta filtren i varmt vatten (cirka 40 °C) blandat med ett neutralt rengöringsmedel och sköljs sedan och torka dem ordentligt i skuggan.

J

1. Fästelement
2. Spår
3. Installation av frånluftsslängen

K

1. Fjärrstyrningsbox
2. Fjärrkontroll
3. Hållriktning fjärrkontroll

L

1. Upp- och ner-knapp
2. Fläkthastighetsknapp
3. Strömknapp
4. Vilolägesknapp
5. LCD-displayfönster
6. Strömknapp
7. Lägesknapp
8. Knapp för automatisk pendling
9. Knapp för automatisk rengöring

M

1. Sätt i AAA-batterierna i fjärrkontrollen innan du använder den.

N

1. Dräneringslock
2. Dräneringssläng

O

1. Dräneringslock
2. Dräneringspropp
3. Vatten u

P

1. Förläng ena änden av frånluftsslängen, skruva på änden utan spår för den runda kopplingen medurs minst 3 varv.
2. Förläng den andra änden av frånluftsslängen, skruva fast adaptern på den medurs minst 3 varv.
3. Installation av frånluftsslängen

Q

1. Spara två ändar av fönstertätningsskivorna för att tätas mot fönsterkanterna och säkerställa ordentlig tätning.

R

1. Luftkonditioneringen klar att använda

FUNKTIONER I DE OLIKA DRIFTLÄGENA OCH INSTALLATIONS BESKRIVNINGAR

Installation

Om enheten har transporterats liggande, ställ den upprätt och låt den stå så i 4 timmar innan du använder den. Placera enheten på en plan och fast yta. Installera inte enheten i badrum eller andra våta miljöer. Se till att luftflödet inte blockeras, avståndet till omgivande ytor ska vara minst 50 cm.

INSTALLERA FRÅNLUFTSSLANGEN

1. Förläng ena änden av frånluftsslangen, skruva på änden utan spår för den runda kopplingen medurs minst 3 varv.
2. Förläng den andra änden av frånluftsslangen, skruva fast adaptern på den medurs minst 3 varv.
3. Förläng frånluftsslangen och dra den genom en dörr eller ett fönster.

ANVÄNDA FÖNSTERSATSEN

1. För att använda fönstersatsen öppnar du fönstret och placerar fönstersatsen antingen horisontellt eller vertikalt, beroende på fönstret.
2. Justera längden på fönstersatsen och fäst den med skruvarna.
3. Stäng fönstret och montera adaptern på frånluftsslangen i fönstersatsen.

ANVÄNDA FÖNSTERSATSEN

Sätt i AAA-batterierna i fjärrkontrollen innan du använder den.

1. Tryck och skjut batteriluckan på baksidan av fjärrkontrollen bakåt, därefter kan du ta bort luckan.
2. Sätt i två nya alkaliska AAA-batterier i batterifacket och se till att notera rätt polaritet.
3. Sätt tillbaka batteriluckan, se till att låshakarna klickar på plats.

Använd endast alkaliska batterier. Använd inte uppladdningsbara batterier.

Vid byte av batterier, byt alltid ut båda batterierna mot nya, blanda inte gamla och nya batterier.

Ta ut batterierna från fjärrkontrollen om luftkonditioneringen inte kommer att användas under en längre tid.

Bruksanvisning

1. Starta enheten. Tryck på strömbrytaren (POWER) för att slå på och stänga av enheten.
2. Välj driftläge. Enheten har 4 olika driftlägen: kylning, avfuktning, energibesparing och fläktläge. Tryck på MODE på kontrollpanelen eller fjärrkontrollen för att välja driftläge.

- **Kylläge:** Ställ in önskad temperatur med pilarna på kontrollpanelen eller med hjälp av fjärrkontrollen. Den inställda temperaturen visas på displayen.
- **Avfukta.** I avfuktningläget går fläkten endast på låg hastighet. Det går inte att ändra temperaturen.
- **Fläktläge.** Kompressorn stängs av och endast fläkten är igång. Det går inte att ändra temperaturen.
- **Energisparläge.** Låg energiförbrukning i energisparläget. När omgivningstemperaturen är högre än den inställda temperaturen körs enheten i kylläget. När omgivningstemperaturen når den förinställda temperaturen stängs kompressorn och den övre fläkten av. Efter 2 minuter och 30 sekunder kommer den övre fläkten att gå på låg hastighet i 30 sekunder. Om kompressorn inte startar (dvs. omgivningstemperaturen är lägre än den inställda temperaturen), kommer den övre fläkten vid upprepade tillfällen att köras i detta läge (stopp efter 2 minuter och 30 sekunder/fläkten körs på låg hastighet i 30 sekunder).

3. Ställa in timern.

- För att ställa in timern på önskad avstängningstid trycker du på knappen TIMER när enheten är igång.
- För att ställa in timern på önskad starttid trycker du på knappen TIMER när enheten är avstängd.

Ställ in tiden med hjälp av upp- och nerpilarna på kontrollpanelen eller fjärrkontrollen. När timern är aktiverad lyser en lampa på kontrollpanelen.

4. Ställa in fläkthastigheten. Tryck på knappen SPEED på kontrollpanelen för att välja fläkthastighet. Tryck på knappen FAN för att välja fläkthastighet.
5. Celsius/Fahrenheit Tryck på upp- och nerpilarna samtidigt för att växla mellan Celsius och Fahrenheit.
6. Viloläge. Använd viloläget nattetid så störs inte din sömn av enheten. I kylläget trycker du på knapparna TIMER och UP samtidigt för att aktivera viloläget. Tryck på knappen SLEEP på fjärrkontrollen. Tryck igen för att inaktivera.
7. Indikator, automatisk pendlingsfunktion. Tryck på knapparna TIMER och SLEEP samtidigt för att aktivera pendlingsfunktionen. Tryck på knappen Automatisk pendling på fjärrkontrollen. Tryck igen för att inaktivera.
8. Automatisk rengöringsfunktion. Tryck på knappen AUTO-CLEAN på fjärrkontrollen för att rengöra enheten invändigt. Enheten rengörs i 3 minuter och stängs sedan av.

SKYDDSFUNKTIONER

Automatisk avfrostning

Enheten avfrostas automatiskt när så krävs. I avfrostningläget visas E4 på displayen och inga knappar utom strömknappen (POWER) är aktiva.

Kompressorskydd

Enheten har en kompressorskyddsfunktion som ger fördröjd start med 3 minuter när enheten startas om.

Larm, vattenbehållare full

När vattenbehållaren är full stängs enheten av. Indikatorn för full vattenbehållare lyser på displayen och en varningssignal hörs. Töm vattenbehållaren och starta om enheten.

FUNKTIONER I DE OLIKA DRIFTLÄGENA OCH INSTALLATIONS BESKRIVNINGAR

Instruktion för tömning av vatten

Töm vattenbehållaren

Lossa dräneringslocket och ta bort vattenproppen. Töm vattenbehållaren och installera vattenproppen och dräneringslocket igen.

Anmärkningar:

- Var försiktig när enheten flyttas för att förhindra läckage.
- Tippa enheten bakåt en aning när vattnet ska tömmas ut.
- Håll för dräneringshålet så snart som möjligt när tråget är fullt om detta inte rymmer allt vatten i enheten, detta för att förhindra vattenläckage och inte blöta ner golvet eller mattan.
- Vattenproppen och dräneringslocket måste installeras så att de sluter tätt för att förhindra att ny kondens blöter ner golvet eller mattan när enheten startas om.

Anslutning av vattenslang för kontinuerlig dränering

Lossa dräneringslocket och ta bort vattenproppen. Fäst en 13 mm vattenslang på röret till enheten. Dra den andra änden av vattenslangen till ett avlopp. Se till att vattnet kan tömmas nedåt.

Anmärkningar:

- Dräneringsslangen måste installeras när det inte finns något vatten i tråget.
- Vi rekommenderar inte att du använder kontinuerlig dränering när enheten är i COOL-läget (kylläge), detta för att säkerställa tillräcklig vattencirkulation i enheten för att förbättra systemets kyleffekt.
- Dra dräneringsslangen så att den inte går att komma åt, men inte högre än dräneringshålet och se till att dräneringsslangen är rak utan några veck.
- Spara dräneringslocket med tillhörande propp om kontinuerligt avlopp används.

Luftfiltret

Luftfiltret förhindrar att damm och smuts tränger in i maskinen, och förlänger på så sätt den förväntade livslängden. Det är viktigt att filtret rengörs regelbundet. Om inte kan enheten ta allvarlig skada. Rengör därför filtren minst var fjortonde dag.

Rengöring av filtret

1. Ta bort filtret.
2. Tvätta av filtret med varmt vatten och ett mildt rengöringsmedel. Alternativt kan filtret dammsugas rent.
3. Låt filtret torka och installera det igen.

Installation av filter

Rikta filtret mot spåret och tryck därefter in det försiktigt i spåret.

Anmärkningar:

- Se till att installera filtret till sidopanelen och därefter filtret till den bakre panelen.
- Installera filtret i motsatt riktning i förhållande till borttagningen.
- Installera filtret försiktigt för att undvika att filtret skadas.

Det är mycket viktigt att filtret rengörs regelbundet; om inte kan luftkonditioneringens kapacitet försämrats och den kan till och med ta allvarlig skada.

Förvaringsanvisningar

Förvaring av fjärrkontrollen

1. Lägg fjärrkontrollen i det inbyggda facket på enhetens vänstra sida.
2. Tryck försiktigt nedtill på det inbyggda facket för att öppna det och ta ut fjärrkontrollen.

Förvaring efter säsongen

1. Skruva av dräneringslocket och dra ut proppen för att tömma ut kondensvattnet.
2. Låt enheten vara påslagen i fläktläget en halv dag så att den torkar helt på

insidan, detta för att förhindra mögeltillväxt.

3. Stäng av enheten, dra ut kontakten och linda nätsladden runt sladdupprullningspelaren, sätt i kontakten i universalfästhålet på enhetens baksida, installera vattenproppen och dräneringslocket.
4. Ta bort frånluftsslangen, rengör och förvara den korrekt.

Anmärkningar:

- Håll i frånluftsslangen med båda händerna när du kopplar från den.
- Tryck fästena på frånluftsutloppet åt sidan med tummarna och dra sedan ut frånluftsslangen.

5. Emballera luftkonditioneringsaggregatet noggrant med en mjuk plastpåse och ställ den på en torr plats och vidta lämpliga åtgärder för att skydda den mot damm. Se också till att enheten är utom räckhåll för barn.

6. Ta ut batterierna från fjärrkontrollen och förvara dem på lämpligt sätt.

OBS!

- Det är viktigt att enheten förvaras på en torr plats.
- Alla tillbehör till enheten ska förvaras tillsammans och skyddas ordentligt.

Underhåll

Rengör kondensorn med Wood's rengöringsmedel. Läs mer om hur du rengör enheten på woods.se. Rengör enheten med en fuktig, mjuk trasa. Använd inte lösningsmedel eller starka rengöringsmedel eftersom det kan skada ytan på enheten.

Service

Om luftkonditioneringen behöver servas, måste du först kontakta din lokala återförsäljare. Kvitto måste uppvisas för alla garantianspråk.

PROBLEM	ORSAK	ÅTGÄRD
Enheten startar inte	Fel på strömförsörjningen Vattenbehållaren är full och ikonen för detta lyser Omgivningstemperaturen för låg eller för hög Rumstemperaturen är lägre än den inställda temperaturen i kylningsläge eller högre temperatur i uppvärmningsläge	Anslut enheten till ett fungerande eluttag och slå på den Töm enheten på vatten. Det rekommenderas att denna enhet används vid omgivningstemperaturer på mellan 8 och 35 grader Celsius Ändra den inställda temperaturen
Otillräcklig kyleffekt	Enheten står i direkt solljus Dörrarna och fönstren är öppna, det är många personer i rummet eller det finns andra värmekällor Filtret är smutsigt Luftinloppet eller utloppet är igensatt	Dra för gardinerna Stäng dörren och fönstret, avlägsna andra värmekällor Rengör eller byt ut filtret Avlägsna hindret
Hög ljudnivå	Enheten står på ojämnt underlag.	Placera enheten på plant och fast underlag (kan sänka ljudnivån)
Kompressorn fungerar inte	Värmskyddet har löst ut	Vänta tills temperaturen sjunker, enheten startas om automatiskt
Fjärrkontrollen fungerar inte	Avståndet för stort Fjärrkontrollen riktades inte mot signalmottagaren på enheten. Batterierna är urladdade	Gå närmare luftkonditioneringen med fjärrkontrollen och rikta den mot signalmottagaren på enheten. Byt ut batterierna
Om du har problem med din avfuktare, se felsökningen nedan. Om inget av nedanstående fungerar, kontakta din återförsäljare för att få din luftkonditionering servad.		

Felkoder		
CH01	Fel på rumstemperaturgivare	Kontrollera rumstemperaturgivaren och tillhörande kretsar
CH02	Fel på slangtemperaturgivaren	Kontrollera slangtemperaturgivaren och tillhörande kretsar
E4	Frysnydd	Återställ funktionerna automatiskt när frysnyddet är över.
FL	Vattenbehållaren i chassit är full	Töm kondensatet och starta om enheten

Garantier

2 års konsumentgaranti mot produktionsfel. Observera att garantin endast gäller mot uppvisande av kvittot. Garantin gäller endast om produkten används i enlighet med instruktionerna och säkerhetsvarningarna i denna manual. Garantin täcker inte skador orsakade av felaktigt handhavande av produkten.

OBS! Den 2-åriga garantin gäller endast för konsumenter och inte för kommersiell användning av enheten.



OBS!

Registrera produkten på www.warranty-woods.com och läs om hur du förlänger garantin. Gå in på www.woods.se för mer information.

Rekommenderade gränsvärden för användning

Den bästa omgivningstemperaturen för kylning är 17-35 °C. Enheten arbetar i temperaturer upp till 45 °C. Säkringsparameter: ϕ 5.0x20mm 3,15A, 250VAC.

TEKNISKA DATA

AC Cortina 12K Duo

Kylkapacitet	3.520 W
Strömförbrukning	1.350 W
Luftflöde:	420m ³ / h
Energiklass	A
Avfuktning	33,6 L / 24h
Temperaturinställning	17-30°C
Arbetstemperatur	16-45°C
EER	2,6
Frånluftsslängd	1,5 m
Diameter på frånluftsslängen	15 cm
Köldmediegas	R290/260g
Ljudnivå i decibel	56dB / 64dB
Vikt	33,4 kg
Mått i mm, L x B x H	850x471x355

*Tekniska ändringar och förbättringar kan förekomma. Alla värden är ungefärliga och kan variera beroende på yttre omständigheter såsom temperatur, ventilation och luftfuktighet.



*Den här märkningen visar att den här produkten inte ska slängas i hushållsavfallet, i hela EU. För att förhindra skador på miljön eller människors hälsa till följd av okontrollerad sophantering ber vi dig att återvinna produkten ansvarsfullt för att främja hållbar återanvändning av materialresurser. För att återvinna din enhet, vänligen använd retur- och insamlingsystemen eller kontakta återförsäljaren där produkten köptes. De kan lämna in denna produkt för miljösäker återvinning.

WiFi-funktion

1. Ladda ner och installera appen

Ladda ner Woods Connect-app från App Store eller Google Play

1. Registrera/Logga in/Glöm lösenordet?

Registrera

Om du inte har ett app-konto, kan du skapa ett konto eller logga in med en verifieringskod som du får i ett SMS. Sidan beskriver registreringsprocessen.

1. Klicka för att öppna registrerings-sidan.
2. Systemet känner automatiskt igen ditt land/område. Du kan även välja landskod själv. Skriv in mobilnumret/e-postadressen och klicka på "Next".
3. Om du skriver in mobilnumret, anger du verifieringskoden i meddelandet och anger lösenordet, klicka på "Confirm" för att avsluta din registrering.
4. Om du skriver in din e-postadress, anger du lösenordet och klickar på "Confirm" för att avsluta din registrering.

2. Logga in med ditt användarnamn och lösenord eller verifieringskod via SMS

Logga in med ditt användarnamn och lösenord

1. Systemet känner automatiskt igen ditt land/område. Du kan också välja din landskod. Ange mobilnumret/E-postadress och tryck på "Next"
2. För att logga in, skriv in mobilnumret eller e-postadressen som du angav när du registrerade enheten samt lösenord

Logga in med verifieringskod

1. Klicka på "Logga in med SMS-verifiering" till ny sida

2. Systemet känner automatiskt igen ditt land/område.

Du kan även välja landskod själv.

Glömt lösenordet

Om du har glömt ditt lösenord följer du stegen nedan:

1. Tryck på "Glömt lösenordet"
2. Systemet känner automatiskt igen ditt land/område. Du kan även välja landskod själv. Skriv in mobilnumret/e-postadressen och klicka på "Next"
- 3 Skriv in verifieringskoden i meddelandet/e-postmeddelandet och skriv in det nya lösenordet, klicka sedan på "Confirm" för att avsluta.

WiFi Woods Connect stöder följande funktioner:

Ström på/Ström av
Kylläge
Tyst läge
Fläktläge
Eco-läge
Temperaturinställningar
Hastighet: Låg, medelhög och hög
Timer: 1-24 h
Viloläge: På/Av
Automatisk rengöring: På/Av
Lås: På/Av
Celsius/Fahrenheit
Pendla: På/Av

3. Följ procedurerna i appen för att använda WiFi-funktionen.

Smart Home

Om du har en Smart Home-produkt slutför du steg 1 till 3.

Åtkomsttjänst för tredje part: Klicka på en ikon för en röststyrningstjänst från tredje part för att se hur du ansluter till tjänsten.

Du hittar dessa ikoner

Smart Home Woods Connect har stöd för röststyrning av följande funktioner:

Ström på/Ström av
Temperaturinställningar

För mer information, besök:

<https://woods.se/en/>

WOOD'S FOR REN OG SUNN INNELUFT

Varemerket Wood's ble skapt av familien Wood for mer enn 65 år siden, i den kanadiske byen Guelph i Ontario. Det var der Wood's begynte å utvikle og produsere avfuktere i 1950. Siden den tid har Wood's hjulpet flere hundre tusen husholdninger med å forebygge skader som skyldes mugg og fukt, og med å gi dem renere luft. Våre bærbare klimaanlegg er egnet for bruk i de fleste klimaer og har god kapasitet også ved forskjellige temperatur- og fuktighetsnivåer. De brukes med gode resultater på steder der det blir varmt, som i oppholdsrom, kontorer eller soverom. Mengden varm luft som klimaanlegget fjerner, avhenger av temperatur, fuktighetsnivå og plassering. Eksterne værforhold kan også påvirke klimaanleggets ytelse.

Wood's klimaanlegg er trygge å bruke og ment til kontinuerlig bruk i mange år.

HVORDAN FUNGERER KLIMAAANLEGGET?

Lavt trykk gir kald luft
Hovedelementet i klimaanlegget er et kjølemiddel, som omdannes til gass ved lavt trykk. Prosessen «skaper kulde», som overføres innover, samtidig som den varme luften holdes ute.

Et flytende kjølemiddel føres gjennom en ekspansjonsventil og inn i et rør der trykket er lavt.

Kjølemiddelet fordampes og blir til gass. Prosessen absorberer varme fra omgivelsene, og røret avkjøles.

En vifte blåser den kalde luften ut i rommet.

Gassen føres gjennom en kompressor, som øker trykket og omdanner gassen til væske.

I denne prosessen frigjøres varme, som føres til rør på motsatt side og blåses ut av en vifte.

En termostat slår av enheten når inneluften er tilstrekkelig kald.

1. SIKKERHETSADVARSLER

Brennbart materiale.
Denne enheten inneholder R290/
propan, et brennbart kuldemedium.



Denne håndboken
inneholder
sikkerhetsinformasjon.



Les den tekniske håndboken



Les bruksanvisningen.

SIKKERHETSINFORMASJON

Les de vedlagte anvisningene nøye før enheten installeres og tas i bruk. Fabrikanten er ikke ansvarlig dersom feilaktig installering og bruk forårsaker skade på personer eller eiendom. Oppbevar alltid bruksanvisningen sammen med enheten til fremtidig bruk.

Sikkerheten til barn og sårbare mennesker**ADVARSEL**

Fare for personskade eller varig uferhet.

Denne enheten kan brukes av barn fra 8 år og oppover, samt av personer med nedsatte fysiske, sensoriske eller mentale evner eller manglende erfaring og kunnskap, så fremt de har tilsyn eller har fått innføring i hvordan enheten brukes på en trygg og sikker måte, samt at de er klar over de farer bruken medfører.

Ikke la barn leke med enheten.

Barn under 3 år bør holdes unna enheten hvis de ikke har konstant tilsyn.

Oppbevar alt emballasjemateriale utilgjengelig for barn. Rengjøring og vedlikehold skal ikke utføres av barn uten tilsyn.

Generelt om sikkerhet

Denne enheten er beregnet for bruk i private hjem og lignende, for eksempel: Stuer og andre oppholdsrom, pauserom i butikker, kontorer og andre arbeidsmiljøer. Merkeplaten er plassert på siden eller baksiden av klimaanlegget. Sørg for at ventilasjonsåpningene ikke er tildekket.

Ikke bruk mekanisk utstyr eller annet for å fremskynde avrimingsprosessen. Følg fabrikantens anvisninger. Enheten skal ikke oppbevares i et rom der det finnes antennelseskilder (for eksempel åpen ild, gassdrevet utstyr i drift eller elektrisk varmeovn). Må ikke punkteres eller brennes. Vær oppmerksom på at kuldemedier kan være helt uten lukt. Ikke rengjør enheten med vandusj og damp. Rengjør enheten med en fuktet myk klut. Bruk kun nøytrale rengjøringsmidler. Ikke bruk produkter som inneholder slipemiddel, skuresvamber, løsemidler eller metallgjenstander. Hvis strømledningen skades, må den skiftes ut av fabrikanten, dennes autoriserte servicesenter

eller tilsvarende kvalifiserte personer for å unngå fare.

SIKKERHETSANVISNINGER

Installasjon

ADVARSEL

Denne enheten må kun installeres av en kvalifisert person.

Fjern all emballasje.

Ikke installer eller bruk en skadet enhet. Enheten skal installeres, brukes og oppbevares i et rom med en gulvflate større enn 12,5 m². Følg installeringsanvisningen som følger med enheten.

Vær alltid forsiktig når du flytter enheten – den er tung! Bruk alltid vernehansker. Vær oppmerksom på at kuldemedier kan være helt uten lukt.

Påse at luften kan sirkulere rundt enheten.

Vent i minst 4 timer før enheten tilkoples strømmettet. Dette er for at oljen skal kunne renne tilbake i kompressoren.

Ikke installer enheten nær radiatorer eller andre varmekilder. Ikke installer enheten slik at den blir stående i direkte sollys.

Strømtilkøpling

ADVARSEL

Brann- og støtfare.

Enheten må koples til en jordet stikkontakt.

Påse at den elektriske informasjonen på merkeplaten samsvarer med strømtilførselen.

Hvis ikke må du kontakte elektriker.

Bruk alltid korrekt montert stikkontakt.

Ikke bruk grenuttak og skjøteledninger.

Pass på at de elektriske komponentene (f.eks. støpsele, strømledning) ikke skades.

Kontakt autorisert servicesenter eller elektriker for å få skiftet de elektriske komponentene.

Strømledningen må ligge lavere enn støpselet.

Ikke plugg støpselet i stikkontakten før installeringen er fullført.

Påse at støpselet er tilgjengelig når installeringen er fullført.

Ikke dra i ledningen for å trekke ut støpselet. Hold alltid i støpselet.

Bruk

ADVARSEL

Fare for personskade, brannskade, elektrisk støt eller brann.

Enhetens spesifikasjoner må ikke endres.

Pass på at kjølekretsen ikke blir skadd. Den inneholder propan (R290), en naturgass med god miljøkompatibilitet. Denne gassen er antennbar.

Hvis det oppstår skade på kjølekretsen, må man påse at det ikke er flammer og antennelseskilder i rommet.

Luft ut rommet.

Ikke legg brennbare produkter eller gjenstander våte av lett antenkelige produkter nær eller på enheten.

Avfallshåndtering

ADVARSEL

Fare for personskade.

Kople enheten fra strømmettet.

Klipp av strømledningen og kast den.

Denne enhetens kjølemediumkrets er miljøvennlig. Ta kontakt med den lokale gjenvinningsstasjonen for å få informasjon om korrekt kassering av enheten.

Ikke skad den delen av kjøleenheten som er nærmest varmeveksleren.

KLARGJØR KLIMAAANLEGGET FOR INSTALLASJON

VIKTIG:

2. Installasjon

FØR FØRSTE GANGS BRUK

La enheten stå oppreist i 4 timer før den tas i bruk

Velge plassering

Viktig

1. Dette klimaanlegget kan flyttes rundt innendørs etter behov; hold enheten oppreist når den flyttes. Klimaanlegget skal stå på et flatt underlag. Dette klimaanlegget må ikke installeres eller brukes i baderom eller andre våtrom.

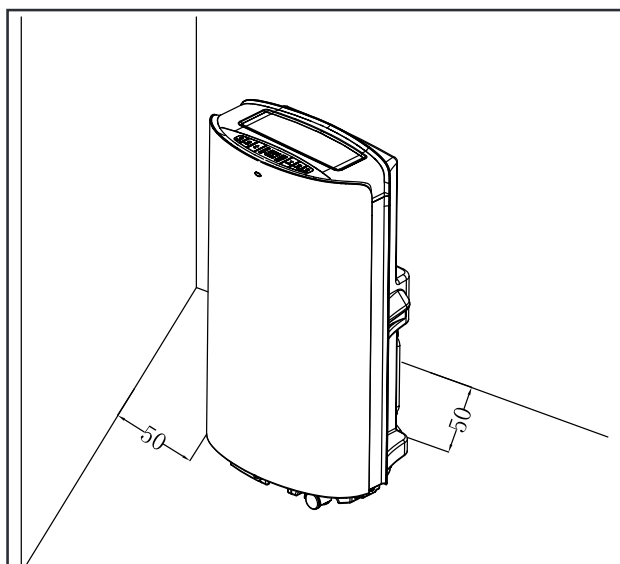
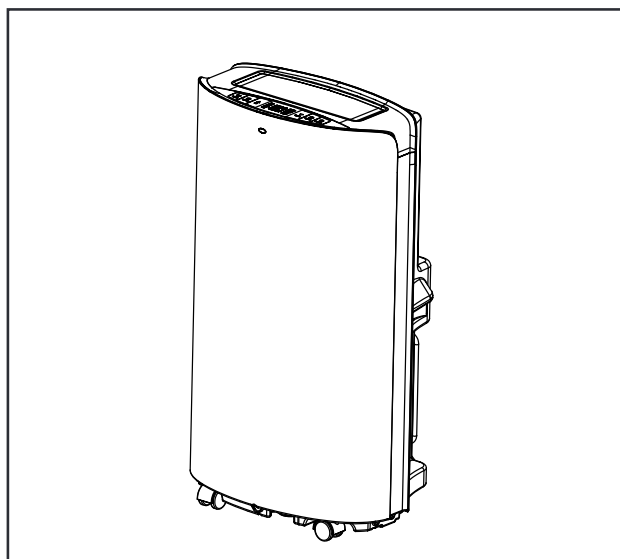
Ettersom et bærbart klimaanlegg går på hjul, er det enkelt å flytte. Når varmen setter inn, kan du bare flytte det bærbare klimaanlegget inn i rommet og raskt komme i gang med avkjølingen. Klimaanlegget må brukes i et lukket rom for å være mest effektivt.

Lukk alle dører, vinduer og andre åpninger ut fra rommet. Klimaanleggets effektivitet avhenger av temperaturen og luftfuktigheten.

2. Plasser klimaanlegget på et sted der luftstrømmen fra fronten av enheten ikke hindres.

3. Et klimaanlegg som kjøres i et rom, vil ha liten eller ingen virkning når det gjelder å tørke et tilstøtende lukket rom, f.eks. et skap, med mindre det er tilstrekkelig luftsirkulasjon inn og ut av det aktuelle rommet. Et bærbart klimaanlegg slipper ut varmen fra enheten via en ventilasjonsslange gjennom et vindu eller en luftventil.

4. Det bør være en avstand på minst 50 cm mellom klimaanlegget og nærmeste gjenstand. Se referansebildet.



PRODUKTBEKRIVELSE

3. Produktbeskrivelse

A

1. Klimaanleggets hoveddel
2. Fjernkontroll
3. Batterier
4. Bruksanvisning
5. Rund kontakt
6. Eksosslange for varmluft
7. Adapter
8. Vindussett

B

1. Klimaanleggets hoveddel sett fra siden

C

1. Frontpanel
2. Mottaksvindu for fjernkontroll
3. Kontrollpanel
4. Toppanel
5. Horisontal luftventil
6. Høyre pyntelist
7. Øvre filtermontering på bakpanelet
8. Holder til fjernkontroll
9. Venstre pyntelist
10. Strømledning med støpsel
11. Ledningsholder
12. Nedre filtermontering på bakpanelet
13. Dreneringsdeksel
14. Universalhjul
15. Filtermontering på sidepanel
16. Beskyttelsesrist
17. Feste
18. Håndtak
19. Rund kopling til eksosslange
20. Eksosslange
21. Eksosslangeadapter
22. Vindussett

D

1. Klimaanleggets hoveddel sett bakfra

E

1. Luftutslipp
2. Kontrollpanel

F

1. Kontrollpanel

G

1. Tidsurknapp
2. Hastighetsknapp
3. Opp-knapp
4. Ned-knapp
5. Modusknapp
6. Strømknapp
7. Kjølemodusindikator
8. Indikator for avfuktingsmodus
9. Viftmodusindikator
10. Indikator for strømsparingsmodus
11. WiFi-indikator
12. Indikator for automatisk dreiefunksjon
13. Indikator for automatisk rengjøringsfunksjon
14. Indikator for full vanntank
15. Indikator for deaktiveringsmodus
16. Indikator for viftehastighet
17. Tidsurindikator
18. Klokkeslett på tidsurindikator
19. Temperaturindikator

H

1. Slik fjerner du filtrene

I

1. Ta tak i filterhåndtaket og trekk det forsiktig i riktig retning.
2. Fjern om nødvendig smusspartiklene i filteret med rengjøringsmiddel.
3. Senk filteret i varmt vann (cirka 40 C) med nøytralt rengjøringsmiddel i, vask det forsiktig, skyll og la det tørke i skyggen.

J

1. Feste
2. Spor
3. Eksosslangemontering

K

1. Fjernkontrollboks
2. Fjernkontroll
3. Retningen fjernkontrollen skal holdes i

L

1. Opp-og-ned-knapp
2. Knapp for viftehastighet
3. Tidsurknapp
4. Deaktiveringsknapp
5. LCD-vindu
6. Strømknapp
7. Modusknapp
8. Knapp for automatisk dreining
9. Knapp for automatisk rengjøring

M

1. Installerer AAA-batteri i fjernkontrollen før du tar den i bruk.

N

1. Dreneringsdeksel
2. Dreneringslange

O

1. Dreneringsdeksel
2. Dreneringsplugg
3. Drenering

P

1. Strekk ut den ene enden av eksosslangen, skru fast enden av den runde koplingen uten spor med minst tre omdreininger mot klokken.
2. Strekk ut den andre enden av eksosslangen, skru fast adapteren til den med minst tre omdreininger mot klokken.
3. Eksosslangemontering

Q

1. Hold to ender av vindusforseglingsplatene mot vinduskantene slik at de forsegles.

R

1. Klimaanlegget klart til bruk

BESKRIVELSER AV DRIFTSMODUSER OG INSTALLASJON

Installasjon

Hvis enheten har blitt transportert horisontalt, må den stå oppreist i fire timer før den tas i bruk.

Plasser enheten på et flatt og fast underlag. Ikke installer enheten i badrom eller andre våtrom.

Påse at luftgjennomstrømningen ikke blokkeres, og at det alltid er minst 50 cm avstand til omkringliggende overflater.

INSTALLERE EKSOSSLANGEN

1. Strekk ut den ene enden av eksosslangen, skru fast enden av den runde koplingen uten spor med minst tre omdreininger mot klokken.
2. Strekk ut den andre enden av eksosslangen, skru fast adapteren til den med minst tre omdreininger mot klokken.
3. Strekk ut eksosslangen og før den ut gjennom en dør eller et vindu.

SLIK BRUKER DU VINDUSSETTET

1. For å bruke vindussettet må du åpne vinduet og plassere settet horisontalt eller vertikalt, avhengig av vinduet.
2. Juster lengden av vindussettet og fest det med skruene.
3. Lukk vinduet og fest adapteren på eksosslangen til vindussettet.

SLIK BRUKER DU VINDUSSETTET

Installer AAA-batteriene i fjernkontrollen før du tar den i bruk.

1. Trykk på og skyv batteridekselet på baksiden av fjernkontrollen for å fjerne dekselet.
2. Sett i to nye alkaliske AAA-batterier i batteriholderen, og pass på at polariteten er riktig.
3. Sett på batteridekselet og påse at låseflisen klikker på plass.

Det må bare brukes alkaliske batterier. Bruk ikke oppladbare batterier. Ved skifte av batterier må alltid begge batteriene byttes ut med nye. Bland ikke gamle og nye batterier. Hvis klimaanlegget ikke skal brukes på

en lang stund, bør batteriene tas ut av fjernkontrollen.

Bruksanvisning

1. Starte enheten. Trykk på strømknapen for å starte og stoppe enheten.

2. Velge modus. Enheten har fire forskjellige moduser: kjølemodus, avfuktingsmodus, strømsparingsmodus og viftmodus. Trykk på MODE på kontrollpanelet eller fjernkontrollen for å velge modus.

- Kjølemodus: Angi ønsket temperatur med pilene på kontrollpanelet eller fjernkontrollen. Den angitte temperaturen vises på displayet.
- Avfuktingsmodus. I avfuktingsmodus kjøres viften bare på lav hastighet. Temperatur kan ikke angis.
- Viftmodus. Kompressoren stopper, og bare viften kjøres. Temperatur kan ikke angis.
- Strømsparingsmodus. Lavt strømforbruk i strømsparingsmodus. Når omgivelsestemperaturen er høyere enn den angitte temperaturen, går enheten i kjølemodus. Når omgivelsestemperaturen når den angitte temperaturen, stopper kompressoren, og den øvre viften stopper også. Etter 2 minutter og 30 sekunder kjøres den øvre viften på lav hastighet i 30 sekunder. Hvis kompressoren ikke starter (det vil si hvis omgivelsestemperaturen er lavere enn den angitte temperaturen), kjøres den øvre viften gjentatte ganger i denne modusen (stopper i 2 minutter og 30 sekunder / kjøres ved lav hastighet i 30 sekunder).

3. Stille inn tidsuret.

- Trykk på TIMER-knappen når enheten er i drift, hvis du vil stille inn tidsuret for avstengning.
- Trykk på TIMER-knappen når enheten er slått av, hvis du vil stille inn tidsuret for start.

Angi klokkeslettet ved hjelp av opp- og ned-pilene på kontrollpanelet eller

fjernkontrollen. Når tidsuret er aktivert, tennes en lampe på kontrollpanelet.

4. Angi viftehastigheten. Trykk på SPEED-knappen på kontrollpanelet for å velge viftehastighet. Velg viftehastighet ved å trykke på FAN-knappen på fjernkontrollen.
5. Celsius/Fahrenheit Trykk på opp- og ned-pilen samtidig på kontrollpanelet for å veksle mellom Celsius og Fahrenheit.
6. Deaktiveringsmodus. Bruk deaktiveringsmodus om natten for å unngå at enheten forstyrrer nattesøvnen. Når enheten er i kjølemodus, trykker du på knappene TIMER og UP samtidig for å sette den i deaktiveringsmodus. Trykk på SLEEP-knappen på fjernkontrollen. Trykk på knappen en gang til for å deaktivere.
7. Automatisk dreiefunksjon. Trykk på knappene TIMER og SPEED samtidig for å aktivere dreiefunksjonen. Trykk på Auto-swing-knappen på fjernkontrollen. Trykk på knappen en gang til for å deaktivere.
8. Automatisk rengjøringsfunksjon. Trykk på AUTO-CLEAN-knappen på fjernkontrollen for å rengjøre enheten innvendig. Enheten rengjøres i 3 minutter før den slås av.

BESKYTTELSESFUNKSJONER

Automatisk avriming

Enheten avrimes automatisk ved behov. I avrimingsmodus viser displayet E4, og ingen andre knapper enn strømknappen er aktive.

Beskyttelse av kompressoren

Enheten har en funksjon for beskyttelse av kompressoren som forsinker oppstarten med 3 minutter når enheten startes på nytt.

Alarm ved full vanntank

Enheten stanser når vanntanken er full. En indikatorlampe lyser på displayet, og en varsellyd høres. Tøm vanntanken og start enheten på nytt.

BESKRIVELSER AV DRIFTSMODUSER OG INSTALLASJON

Instruksjoner for drenering

Tømme vanntanken

Skrus av dreneringsdekselet og fjern dreneringspluggen. Tøm vanntanken, sett i dreneringspluggen og skru på dekselet igjen.

Merknader:

- Flytt enheten forsiktig for å unngå lekkasje.
- Vipp enheten lett bakover under tømming.
- Tett igjen dreneringshullet så snart som mulig før brettet er fullt hvis det ikke kan romme alt vannet i enheten, for å hindre vannlekkasje og vann utover gulvet eller teppet.
- Dreneringspluggen og -dekselet må sitte godt for å unngå at ny kondens fukter gulvet eller teppet når enheten startes opp på nytt.

Koble til en vannslange for kontinuerlig drenering

Skrus av dreneringsdekselet og fjern dreneringspluggen. Fest en 13 mm vannslange til røret på enheten. Før den andre enden av vannslangen til et avløp. Sørg for at vannet kan renne fritt nedover.

Merknader:

- Dreneringsslangen må installeres når det ikke er vann i brettet.
- Det anbefales ikke å bruke kontinuerlig drenering når enheten er i kjølemodus, for å sikre at nok vann resirkuleres i enheten til å oppnå maksimal kjøleeffekt.
- Legg dreneringsslangen på et utilgjengelig sted, ikke høyere enn dreneringshullet, og påse at dreneringsslangen er rett og uten knekk.
- Oppbevar dreneringsdekselet og -pluggen forsvarlig når kontinuerlig drenering er i bruk.

Luftfilteret

Luftfilteret sørger for at det ikke kommer støv og smuss inn i maskinen, slik at levetiden forlenges. Det er viktig at filteret rengjøres jevnlig. Hvis ikke kan det føre til alvorlige skader på enheten. Filteret bør derfor rengjøres minst annenhver uke.

Rengjøring av filteret

1. Fjern filteret.
2. Vask det med varmt vann og mild såpe. Filteret kan også støvsuges.
3. La filteret tørke, og monter det igjen.

Filterinstallasjon

Innrett enden av filteret mot sporet, og skyv deretter filteret forsiktig på plass i sporet.

Merknader:

- Pass på å installere filteret i sidepanelet før filteret i bakpanelet.
- Installer filteret i motsatt retning som det ble fjernet.
- Installer filteret forsiktig for å unngå at det skades.

Det er svært viktig at filteret rengjøres regelmessig, slik at klimaanlegget ikke mister kapasitet eller blir skadet.

Instruksjoner for oppbevaring

Oppbevaring av fjernkontrollen

1. Sett fjernkontrollen inn i den innebygde holderen på venstre side av enheten.
2. Trykk varsomt på den nedre delen av den innebygde holderen for å åpne den og ta ut fjernkontrollen.

Oppbevaring på slutten av sesongen

1. Skrus av dreneringsdekselet og trekk ut pluggen for å tømme enheten for alt kondensvann.

2. Kjør enheten i viftemodus en halv dag for å tørke den helt innvendig og forebygge muggdannelse.
3. Slå av enheten, trekk ut proppen, vikle opp strømløslinjen og fest støpselet i universalhullet på enhetens bakpanel, sett i dreneringspluggen og sett på dreneringsdekselet.
4. Fjern eksosslangen for varmluft, rengjør den og oppbevar den forsvarlig.

Merknader:

- Hold eksosslangen med begge hender når du fjerner den.
- Bruk tomlene til å skyve festene på eksosuttaket til side, og trekk ut eksosslangen.

5. Pakk inn klimaanlegget i myk plast og oppbevar det på et tørt sted, sørg for at det ikke slipper inn støv, og hold enheten utilgjengelig for barn.
6. Ta ut batteriene av fjernkontrollen og oppbevar dem forsvarlig.

Merk:

- Påse at enheten oppbevares på et tørt sted.
- Alt tilbehør til enheten skal også beskyttes forsvarlig.

Vedlikehold

Rengjør kondensatoren med Wood's rengjøringsmiddel. Les mer om rengjøring av enheten på woods.se Rengjør enheten med en myk, fuktig klut. Ikke bruk løsemidler eller sterke rengjøringsmidler, det kan skade overflaten på enheten.

Service

Når klimaanlegget trenger service, må du først ta kontakt med forhandleren. Du må fremlegge kvittering ved garantikrav.

PROBLEM	ÅRSAK	TILTAK
Enheden starter ikke	<p>Svikt i strømforsyningen</p> <p>Vanntanken er full og ikonet lyser</p> <p>Omgivelsestemperaturen er for lav eller for høy</p> <p>Romtemperaturen er lavere enn den angitte temperaturen i kjølemodus, eller høyere i varmemodus</p>	<p>Kople enheten til en strømkontakt og slå den på</p> <p>Tøm vannet som er lagret i enheten</p> <p>Det anbefales å bruke denne enheten mellom 8 og 35°C</p> <p>Angi en annen temperatur</p>
Dårlig kjøleeffekt	<p>Enheden står i direkte sollys</p> <p>Dørene og vinduene er åpne, rommet er overfylt, eller andre varmekilder er i bruk</p> <p>Skittent filter</p> <p>Luftinntaket eller luftuttaket er tilstoppet</p>	<p>Trekk for gardinene</p> <p>Lukk dører og vinduer, fjern andre varmekilder</p> <p>Rengjør eller bytt filteret</p> <p>Fjern tilstoppingen</p>
Høyt støynivå	Enheden står på et ujevnt underlag	Plasser enheten på et flatt og fast underlag (kan redusere støyen)
Kompressoren fungerer ikke	Beskyttelse mot overoppheting iverksatt	Vent til temperaturen reduseres, så starter enheten automatisk på nytt
Fjernkontrollen fungerer ikke	<p>For stor avstand</p> <p>Fjernkontrollen er ikke rettet mot enhetens signalmottaker</p> <p>Batteriene er utladet</p>	<p>Hold fjernkontrollen nærmere klimaanlegget og påse at den er rettet mot enhetens signalmottaker.</p> <p>Skift batterier</p>
<p>Hvis du opplever problemer med klimaanlegget, kan du forsøke å feilsøke. Hvis ingen av tiltakene fungerer, må du kontakte forhandleren for å få service på klimaanlegget.</p>		

Feilkoder		
CH01	Feil på romtemperatursensor	Kontroller romtemperatursensoren og tilhørende kretser
CH02	Feil på rørtemperatursensor	Kontroller rørtemperatursensoren og tilhørende kretser
E4	Frostbeskyttelse	Funksjonene gjenopprettes automatisk når frostbeskyttelsen er deaktivert.
FL	Vanntanken i understellet er full	Tøm kondensvannet og start enheten på nytt

Garanti

2 års garanti mot produksjonsfeil. Garantien gjelder kun ved fremvisning av kvittering. Garantien gjelder kun hvis produktet har blitt brukt i samsvar med instruksjonene og sikkerhetsanvisningene i denne bruksanvisningen. Garantien dekker ikke skader som skyldes feil bruk av produktet.

MERK: Garantien på 2 år gjelder ikke ved kommersiell bruk av enheten.



MERK:

Registrer produktet på www.warranty-woods.com og les om hvordan du kan få utvidet garanti. Gå til www.woods.se hvis du vil ha mer informasjon.

Anbefalte bruksgrenser

Den beste omgivelsestemperaturen for kjøling er 17–35 °C. Enheten kan kjøres opp til +45 °C. Sikringsparameter: $\varnothing 5,0 \times 20 \text{ mm } 3,15 \text{ A}, 250 \text{ Vac}$.

TEKNISKE DATA

	AC Cortina 12K Duo
Kjølekapasitet	3.520 W
Strømforbruk	1.350 W
Luftgjennomstrømning:	420m ³ / h
Energiklasse	A
Avfukting	33,6 L / 24h
Temperaturinnstilling	17-30°C
Arbeidstemperatur	16-45°C
EER	2,6
Eksosslangens lengde	1,5 m
Eksosslangens diameter	15 cm
Kuldemediumgass	R290/260g
Støynivå i desibel	56dB / 64dB
Vekt	33,4 kg
Mål i mm, L x B x H	850x471x355

*Med forbehold om tekniske endringer og forbedringer. Alle verdier er omtrentlige og kan variere med eksterne forhold som temperatur, ventilasjon og luftfuktighet.



*Denne merkingen indikerer at dette produktet ikke skal fjernes sammen med annet husholdningsavfall i hele EU. For å unngå mulig skader på miljøet og helse som følge av ukontrollert avfallshåndtering skal apparatet resirkuleres på ansvarlig måte for å fremme bærekraftig gjenbruk av ressursene. For å returnere apparatet kan du bruke retur- og innsamlingsystemet eller ta kontakt med forhandleren der produktet ble kjøpt. De kan resirkulere dette produktet på en miljøvennlig måte.

WiFi-funksjon

1. Last ned og installer APP

Last ned Woods Connect-appen fra App Store eller Google Play

1. Registrering/Pålogging/Glemt passord

Registrering

Hvis du ikke har en App-konto, kan du registrere en konto eller logge på med en bekreftelseskode du får på SMS.

På denne siden beskrives registreringsprosessen.

1. Trykk for å åpne registreringssiden
2. Systemet gjenkjenner land/område automatisk. Du kan også velge landskoden. Skriv inn mobilnummer/e-postadresse og trykk på «Neste».
3. Hvis du har angitt mobilnummeret, skriver du inn bekreftelseskode fra meldingen, og skriver inn passordet. Trykk på «Bekreft» for å fullføre registreringen.
4. Hvis du har angitt e-postadressen, skriver du inn passordet og trykker på «Bekreft» for å fullføre registreringen.

2. Logg på med brukernavn og passord eller bekreftelseskode via SMS

Pålogging med brukernavn og passord

1. Systemet gjenkjenner land/område automatisk. Du kan også velge landskoden. Skriv inn mobilnummer/e-postadresse og trykk på «Neste»
2. Skriv inn det registrerte mobilnummeret eller e-postadressen samt passord for å logge deg på

Pålogging med bekreftelseskode

1. Trykk på «Logg på med SMS-bekreftelse» til ny side
2. Systemet gjenkjenner land/område automatisk.

Du kan også velge landskoden selv.

Glemt passord

Følg disse anvisningene hvis du har glemt passordet ditt:

1. Trykk på «Glemt passord»
2. Systemet gjenkjenner land/område automatisk. Du kan også velge landskoden selv. Skriv inn mobilnummer/e-postadresse og trykk på «Neste»
3. Skriv inn bekreftelseskode i meldingen/e-posten og skriv inn det nye passordet. Trykk på «Bekreft» for å fullføre.

WiFi Woods Connect støtter følgende funksjoner:

Slå enheten på/av
Kjølemodus
Avfuktingsmodus
Viftmodus
Økomodus
Temperaturinnstillinger
Hastighet: Lav, middels og høy
Tidsur: 1–24 t
Deaktivering: På/av
Automatisk rengjøring: På/av
Låsing: På/av
Celsius/Fahrenheit
Dreining: På/av

3. Følg anvisningene i appen for å bruke WiFi.

Smart Home

Utfør trinnene 1 til 3 hvis du har et Smart Home-produkt.

Tredjepartstilgang: Trykk på et ikon for taletjeneste fra tredjepart for å se hvordan du kan kople til tjenesten.

Du finner disse ikonene

Smart Home Woods Connect støtter følgende funksjoner ved stemmekommando:

Slå enheten på/av Temperaturinnstillinger

Hvis du vil ha mer informasjon, kan du gå til:

<https://woods.se/en/>

WOOD'S SØRGER FOR REN OG SUND INDELUFT

Brandet Wood's blev skabt af familien Wood's for over 65 år siden i den canadiske by Guelph i Ontario. Her begyndte Wood's at udvikle og fremstille affugtere i 1950. Siden da har Wood's hjulpet flere hundrede tusinde husstande med at undgå skader fra skimmelsvamp og gøre indeluften renere. Vores transportable klima anlæg er velegnede til brug i de fleste klimaer, hvor kapaciteten er god selv ved forskellige temperaturer og fugtighedsgrader. De bruges med gode resultater i lokaler, der bliver varme, såsom stuer, kontorer og soveværelser. Mængden af varm luft, som klima anlægget fjerner, afhænger af temperatur, fugtighed og placering. Ydre vejrforhold kan også påvirke klima anlæggets ydelse.

Klima anlæg fra Wood's er driftssikre og beregnet til kontinuerlig brug i mange år.

HVORDAN FUNGERER KLIMAANLÆGGET?

Lavt tryk giver kold luft. Hovedelementet i klima anlægget er et kølemiddel, som under lavt tryk omdannes til gas. Processen "skaber kulde", som føres indad, mens den varme luft holdes ude. Et flydende kølemiddel løber gennem en ekspansionsventil og ind i et rør, hvor trykket er lavt. Køle midlet fordamper og bliver til gas. Processen absorberer varme fra omgivelserne, og røret afkøles. Blæseren blæser den kolde luft ind i lokalet. Gassen passerer gennem en kompressor, som øger trykket og omdanner gassen til væske. I denne proces frigives varme, som føres til rør på den modsatte side og blæses ud af en ventilator. En termostat slukker for enheden, når indeluften er kold nok.

1. SIKKERHEDSADVARSLER



Brændbart materiale. Dette apparat indeholder R290/propan, som er et brændbart kølemiddel.



Sikkerhedsoplysninger kan ses i manualen.



Læs den tekniske vejledning.



Læs betjeningsvejledningen.

SIKKERHEDSOPLYSNINGER

Læs den medfølgende vejledning omhyggeligt, inden apparatet installeres og tages i brug. Producenten er ikke ansvarlig, hvis forkert installation og brug forårsager person- og tingskade. Opbevar altid vejledningen sammen med apparatet til fremtidig reference.

Børns og udsatte personers sikkerhed

ADVARSEL

Risiko for personskade eller permanent funktionsnedsættelse. Dette apparat kan anvendes af børn i alderen 8 år og derover samt personer med nedsatte fysiske, sensoriske eller mentale evner eller manglende erfaring og viden, hvis de superviseres eller har fået instruktion i at bruge apparatet på en sikker måde og forstår, hvilken fare det indebærer.

Lad ikke børn lege med apparatet.

Børn under 3 år skal holdes væk fra apparatet, medmindre de hele tiden overvåges.

Al emballage skal holdes væk fra børn.

Rengøring og brugervedligeholdelse må ikke foretages af børn uden opsyn.

Generelle sikkerhedsforskrifter

Dette apparat er beregnet til husholdningsbrug og lignende anvendelser, f.eks.: i alrum, stuer, personalekøkkener i butikker, på kontorer og i andre arbejdsmiljøer. Mærkepladen er placeret på siden af eller bag på klima anlægget. Ventilationsåbningerne må ikke blokeres.

Der må ikke anvendes mekaniske anordninger eller andre midler til at fremskynde afrinningsprocessen, bortset fra dem, producenten anbefaler.

Apparatet må ikke opbevares i et lokale, hvor der anvendes antændingskilder, eksempelvis åben ild, gasapparater eller et elektrisk varmeapparat. Må ikke punkteres eller brændes. Vær opmærksom på, at køle midler ikke nødvendigvis kan lugtes. Brug ikke vand eller damp til at rengøre apparatet. Rengør apparatet med en fugtig, blød klud. Brug kun neutrale rengøringsmidler. Brug ikke slibemidler, slibende rengøringssvampe, opløsningsmidler eller metalgenstande. Hvis elledningen er beskadiget, skal den udskiftes af fabrikanten,

et autoriseret servicecenter eller en tilsvarende kvalificeret person for at undgå fare.

SIKKERHEDSANVISNINGER

Installation



ADVARSEL

Dette apparat må kun installeres af en kvalificeret person.

Fjern al emballagen.

Apparatet må ikke installeres eller anvendes, hvis det er beskadiget.

Apparatet skal installeres, betjenes og opbevares i et lokale med et gulvareal, der er større end 12,5 m². Følg installationsvejledningen, der følger med apparatet.

Vær altid forsigtig, når du flytter apparatet, da det er tungt. Brug altid sikkerhedshandsker. Vær opmærksom på, at kølemidler ikke nødvendigvis kan lugtes.

Sørg for, at luften kan cirkulere omkring apparatet.

Vent mindst 4 timer, før apparatet tilsluttes til strømforsyningen.

Dette er for at give olien mulighed for at flyde tilbage i kompressoren.

Apparatet må ikke installeres tæt på radiatorer eller andre varmekilder.

Apparatet må ikke installeres et sted, hvor der er direkte sollys.

Elektrisk tilslutning



ADVARSEL

Risiko for brand og elektrisk stød.

Apparatet skal tilsluttes til en jordet stikkontakt.

Sørg for, at strømplysningerne på mærkepladen er i

overensstemmelse med

strømforsyningen. Hvis ikke, skal

du kontakte en elektriker.

Brug altid en korrekt installeret og stødsikker stikkontakt.

Brug ikke adaptore til flere stik og forlængerkabler.

Sørg for ikke at beskadige de elektriske komponenter (f.eks. netstik, strømkabel).

Kontakt et autoriseret servicecenter eller en elektriker for at ændre de elektriske komponenter.

Netkablet skal forblive under netstikkets niveau.

Tilslut først netstikket til stikkontakten som det sidste i forbindelse med installationen.

Sørg for, at der er adgang til netstikket efter installationen.

Træk ikke i strømkablet for at frakoble apparatet. Træk altid i netstikket.

Anvendelse



ADVARSEL

Risiko for personskade, forbrændinger, elektrisk stød eller brand.

Du må ikke ændre specifikationen for dette apparat.

Pas på ikke at beskadige kølemiddelkredsløbet. Det indeholder propan (R290), som er en naturgas med en høj grad af miljøvenlighed. Denne gas er brændbar.

Hvis der opstår skader på kølemiddelkredsløbet, skal du sørge for, at der ikke er flammer og antændelseskilder i lokalet. Udluft lokalet.

Placer ikke brændbare produkter eller genstande, der er gennemvædet med brændbare væsker, i nærheden af eller på apparatet.

Bortskaffelse



ADVARSEL

Risiko for personskade.

Træk apparatets stik ud af stikkontakten.

Fjern strømkablet, og kassér det. Kølemiddelkredsløbet i dette apparat er ozonvenligt. Kontakt kommunen for at få oplysninger om korrekt bortskaffelse af produktet.

Den del af køleenheden, der er i nærheden af varmeveksleren, må ikke beskadiges.

INSTALLATION AF KLIMAANLÆGGET

VIGTIGT:

2. Installation

INDEN BRUG FØRSTE GANG

Lad maskinen stå oprejst i 4 timer inden brug.

Valg af placering

Vigtigt

1. Dette klimaanlæg kan nemt flyttes rundt indendørs. Hold apparatet i oprejst stilling, når det flyttes. Klimaanlægget skal placeres på en plan flade. Klimaanlægget må ikke installeres eller anvendes i et badeværelse eller vådmiljø. Eftersom det transportable klimaanlæg har hjul, er det nemt at flytte rundt på det. Når varmen tændes, skal du bare flytte det transportable klimaanlæg ind i lokalet og kan hurtigt komme i gang med at køle lokalet. Klimaanlægget skal anvendes i et lukket område for at være mest effektivt.

Luk alle døre, vinduer og andre udvendige åbninger til lokalet.

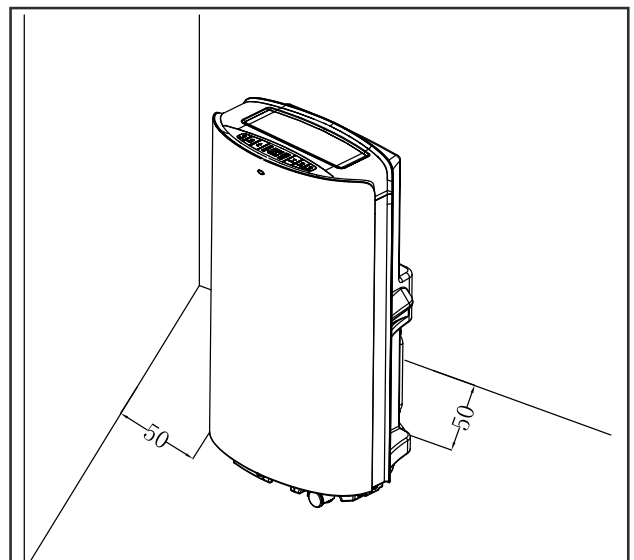
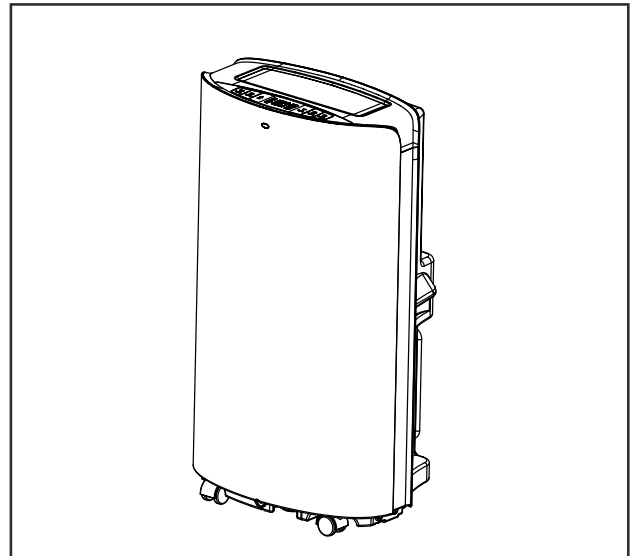
Klimaanlæggets effektivitet afhænger af temperatur og fugtighedsgrad.

2. Placer klimaanlægget et sted, hvor luftstrømmen gennem apparatets front ikke begrænses.

3. Et klimaanlæg, der anvendes i et rum, har ringe eller ingen effekt på tørring af et tilstødende lukket opbevaringsområde, såsom et skab, medmindre der er tilstrækkelig luftcirkulation ind og ud af området.

Varmen i det transportable klimaanlæg fjernes med en ventilationsslange, der føres ud af et vindue eller en udluftningsventil.

4. Der bør være mindst 50 cm afstand mellem klimaanlægget og nærmeste genstand. Se billedet.



PRODUKTBEKRIVELSE

3. Produktbeskrivelse

A

1. Klimaanlæg
2. Fjernbetjening
3. Batterier
4. Brugervejledning
5. Rundt tilslutningsstykke
6. Aftræksslange til varm luft
7. Adapter
8. Vinduessæt

B

1. Klimaanlægget set fra siden

C

1. Frontpanel
2. Vindue til modtagelse af fjernbetjenings-signal
3. Betjeningspanel
4. Toppanel
5. Vandret lamel
6. Højre panel
7. Øverste filterenhed på bagpanel
8. Rum til fjernbetjening
9. Venstre panel
10. Elledning med stikprop
11. Ledningsholder
12. Nederste filterenhed på bagpanel
13. Udløbshætte
14. Universalhjul
15. Filterenhed på sidepanel
16. Beskyttelsesgitter
17. Fastgørelsesmekanisme
18. Håndtag
19. Rundt tilslutningsstykke til udløbsslange
20. Udløbsslange
21. Adapter til udløbsslange
22. Vinduessæt

D

1. Klimaanlægget set bagfra

E

1. Luftudtag
2. Betjeningspanel

F

1. Betjeningspanel

G

1. Timer-knap
2. Hastighedsknap
3. Op-knap
4. Ned-knap
5. Tilstandsknap
6. Tænd/sluk-knap
7. Indikator for kølig tilstand
8. Indikator for affugtningstilstand
9. Indikator for blæsertilstand
10. Indikator for strømsparetilstand
11. WiFi-indikator
12. Indikator for automatisk svingningsfunktion
13. Indikator for automatisk rensfunktion
14. Indikator for fuld vandbeholder
15. Indikator for dvaletilstand
16. Indikator for blæserhastighed
17. Timer-indikator
18. Tidspunkt for timer-indikatoren
19. Temperaturindikator

H

1. Sådan udtages filtrene

I

1. Tag fat i filterhåndtaget, og træk det forsigtigt ud i den rigtige retning.
2. Fjern de snavsede partikler i filtret med en støvsuger om nødvendigt.
3. Vask forsigtigt filtret i varmt vand (ca. 40 °C), som er iblandet et neutralt rengøringsmiddel. Skyl det, og lad det tørre i skyggen.

J

1. Fastgørelsesmekanisme
2. Rille
3. Aftræksslangeenhed

K

1. Fjernbetjeningsboks
2. Fjernbetjening
3. Retningen, som fjernbetjeningen skal holdes i

L

1. Temperaturreguleringsknap
2. Blæserhastighedsknap
3. Timer-knap
4. Dvaleknap
5. LCD-display
6. Tænd/sluk-knap
7. Tilstandsknap
8. Knap til automatisk svingningstilstand
9. Knap til automatisk rensning

M

1. Inden fjernbetjeningen tages i brug, skal AAA-batterierne isættes.

N

1. Udløbshætte
2. Afløbsslange

O

1. Udløbshætte
2. Udløbsprop
3. Vand ud

P

1. Tag fat i den ene ende af aftræksslangen, og skru den ende af det runde tilslutningsstykke, hvor der ikke er en rille, på med mindst 3 omdrejninger mod uret.
2. Tag fat i den anden ende af aftræksslangen, og skru adapteren på med mindst 3 omdrejninger mod uret.
3. Aftræksslangeenhed

Q

1. Lad de to ender af vinduesforseglingsspladerne støde godt op mod vindueskanterne, så der opnås en effektiv forsegling.

R

1. Klimaanlægget klar til brug

DRIFTSTILSTANDENES VIRKEMÅDE OG INSTALLATIONSVEJLEDNING

Installation

Hvis apparatet er blevet transporteret liggende, skal det stå oprejst i 4 timer, inden det tages i brug.

Placer apparatet på en plan og fast flade. Apparatet må ikke installeres i badeværelser eller andre vådmiljøer.

Sørg for, at luftstrømmen ikke obstrueres, og at der er mindst 50 cm afstand til de omgivende flader.

MONTERING AF AFTRÆKSSLANGEN

1. Tag fat i den ene ende af aftrækslangen, og skru den ende af det runde tilslutningsstykke, hvor der ikke er en rille, på med mindst 3 omdrejninger mod uret.
2. Tag fat i den anden ende af aftrækslangen, og skru adapteren på med mindst 3 omdrejninger mod uret.
3. Træk ud i aftrækslangen, og før den udenfor via en dør eller et vindue.

BRUG AF VINDUESSÆTTET

1. Fra at bruge vinduessættet skal du åbne vinduet og placere vinduessættet enten vandret eller lodret afhængigt af vinduet.
2. Juster vinduessættets længde, og fastgør det med skruerne.
3. Luk vinduet, og fastgør adapteren til aftrækslangen til vinduessættet.

BRUG AF FJERNBETJENINGEN

Inden fjernbetjeningen tages i brug, skal AAA-batterierne isættes.

1. Tryk på batteridækslet på bagsiden af fjernbetjeningen, og skub det af.
2. Isæt to nye alkaliske AAA-batterier i batterirummet, og sørg for, at de vender rigtigt.
3. Sæt batteridækslet på igen, og sørg for at låsemekanismen klikker på plads.

Der må kun anvendes alkaliske batterier. Der må ikke anvendes genopladelige batterier.

Ved udskiftning af batterierne skal du altid udskifte begge batterier med nye batterier, så du ikke blander gamle og nye batterier.

Hvis klimaanlægget ikke skal anvendes i længere tid, skal du tage batterierne ud af fjernbetjeningen.

Betjeningsvejledning

1. Start af apparatet: Tryk på afbryderknappen for at tænde og slukke apparatet.
2. Valg af tilstand: Apparatet har 4 forskellige tilstande: køle-, affugtnings-, energispare- og blæsertilstand. Tryk på MODE (TILSTAND) på betjeningspanelet eller fjernbetjeningen for at vælge tilstand.

- Køletilstand: Indstil den ønskede temperatur med pilene på betjeningspanelet eller fjernbetjeningen. Den indstillede temperatur vises på displayet.
- Affugtningstilstand: I affugtningstilstand kører blæseren kun med lav hastighed. Temperaturen kan ikke indstilles.
- Blæsertilstand: Kompressoren stopper, og kun ventilatoren kører. Temperaturen kan ikke indstilles.
- Strømsparetilstand: Strømforbruget er lavt i strømsparetilstand. Når omgivelsestemperaturen er højere end den indstillede temperatur, kører apparatet med køletilstand. Når omgivelsestemperaturen når den indstillede temperatur, holder kompressoren op med at køre, og den øverste blæser holder også op med at køre. Efter 2 minutter og 30 sekunder vil den øverste blæser køre med lav hastighed i 30 sekunder. Hvis kompressoren ikke starter (dvs. hvis omgivelsestemperaturen er lavere end den indstillede temperatur), vil den øverste blæser gentagne gange køre med denne tilstand (stop i 2 minutter og 30 sekunder/lav hastighed i 30 sekunder).

3. Indstilling af timer:

- Timeren indstilles til at slukke ved at trykke på TIMER-knappen, når apparatet er i brug.
- Timeren indstilles til at tænde ved at trykke på TIMER-knappen, når apparatet er slukket.

Klokkeslættet indstilles med op- og ned-pilene på betjeningspanelet eller fjernbetjeningen. Når timeren er aktiveret, vises et lys på betjeningspanelet.

4. Indstilling af blæserhastighed: Tryk på knappen SPEED (HASTIGHED) på betjeningspanelet for at vælge blæserhastighed. Tryk på knappen FAN (BLÆSER) på fjernbetjeningen for at vælge blæserhastighed.

5. Celsius/Fahrenheit: Tryk på op- og ned-pilene på betjeningspanelet samtidig for at skifte mellem celsius og fahrenheit.

6. Dvaletilstand: Brug dvaletilstanden om natten, så apparatet ikke forstyrrer din søvn. I køletilstand skal du trykke på TIMER og UP samtidig for at aktivere dvaletilstand. Tryk på knappen SLEEP (DVALE) på fjernbetjeningen. Tryk igen for at deaktivere tilstanden.

7. Automatisk svingningsfunktion: Tryk på knapperne TIMER og SPEED (HASTIGHED) samtidig for at aktivere svingningsfunktionen. Tryk på knappen Auto Swing (Automatisk svingning) på fjernbetjeningen. Tryk igen for at deaktivere tilstanden.

8. Automatisk rensfunktion: Tryk på knappen Auto Clean (Automatisk rensning) på fjernbetjeningen for at rengøre apparatet indvendigt. Apparatet rengøres i 3 minutter, inden det slukker.

BESKYTTELSESFUNKTIONER

Automatisk afrimning

Enheden afrimes automatisk, når det er nødvendigt. I afrimningstilstand viser displayet E4 og ingen andre knapper end afbryderknappen er aktive.

Beskyttelse af kompressoren

Apparatet har en funktion til beskyttelse af kompressoren, der medfører 3 minutters startforsinkelse, efter at apparatet er blevet genstartet.

Alarm for fuld vandbeholder

Når vandbeholderen er fuld, holder apparatet op med at køre. Der vises en indikator for fuld vandbeholder på displayet, og der høres en advarselslyd. Tøm vandbeholderen, og genstart apparatet.

DRIFTSTILSTANDENES VIRKEMÅDE OG INSTALLATIONSVEJLEDNING

Vejledning i tømning af vandbeholderen

Tømning af vandbeholderen

Skrue udløbshætten af, og fjern vandproppen. Tøm vandbeholderen, og sæt vandproppen og afløbshætten på igen.

Bemærk:

- Flyt apparatet forsigtigt for at undgå lækage.
- Vip apparatet en smule bagud, når det skal tømmes.
- Luk for afløbshullet så hurtigt som muligt, før bakken er fuld, hvis den ikke kan rumme al vandet i apparatet. Dette er for at forhindre vandlækage, så gulvet eller tæppet ikke bliver vådt.
- Vandproppen og afløbshætten skal skrues ordentligt fast for at forhindre, at nyt kondensat gør gulvet eller tæppet vådt, når apparatet begynder at køre igen.

Tilslutning af en vandslange til kontinuerlig afledning

Skrue udløbshætten af, og fjern vandproppen. Fastgør en 13 mm vandslange til røret på apparatet. Før den anden ende af vandslangen hen til et afløb. Sørg for, at vandet kan løbe nedad.

Bemærk:

- Afløbsslangen skal monteres, når der ikke er vand i bakken.
- Det anbefales, at man ikke anvender kontinuerlig afledning, når apparatet er i køletilstand. Dette er for at sikre, at der er nok vand i enheden til at forbedre systemets afkølede virkning.
- Placer afløbsslangen et utilgængeligt sted, ikke højere end afløbshullet, og sørg for, at der ikke er knæk på afløbsslangen.
- Opbevar udløbshætten og proppen korrekt, når der anvendes kontinuerlig afledning.

Luftfiltret

Luftfiltret forhindrer støv og snavs i at trænge ind i apparatet, hvilket forlænger

er dets levetid. Det er vigtigt, at filtret rengøres regelmæssigt. Ellers kan apparatet blive alvorligt beskadiget. Derfor skal filtrene rengøres mindst en gang hver anden uge.

Rengøring af filtret

1. Afmonter filtret.
2. Vask det i varmt vand tilsat et mildt rengøringsmiddel. Alternativt kan du støvsuge filtret.
3. Lad filtret tørre, og sæt det tilbage i apparatet.

Montering af filtret

Før enden af filtret mod rillen, og skub forsigtigt filtret ind i rillen.

Bemærk:

- Sørg for at installere filtret i sidepanelet og derefter filtret i bagpanelet.
- Isæt filtret i den modsatte retning af, hvordan det blev fjernet.
- Monter filtret forsigtigt for at undgå at beskadige det.

Det er vigtigt, at filtret rengøres regelmæssigt, for ellers kan klimaanlæggets kapacitet falde, og det kan blive alvorligt beskadiget.

Opbevaringsvejledning

Opbevaring af fjernbetjeningen

1. Placer fjernbetjeningen i det indbyggede rum i venstre side af apparatet.
2. Tryk forsigtigt på den nederste del af det indbyggede rum for at åbne det og tage fjernbetjeningen ud.

Opbevaring, når sæsonen er slut

1. Skru udløbshætten af, og træk proppen ud for at tømme kondensvandet helt ud.
2. Lad apparatet køre i blæsertilstand en halv dag for at tørre dets inderside helt og dermed forhindre, at der dannes mug.
3. Sluk for apparatet, træk stikket ud, og vikl derefter elledningen rundt om

ledingsholderen. Sæt stikket i fastgørelsesshullet på apparatets bagpanel. Monter vandproppen og udløbshætten.

4. Fjern aftrækslangeenheden til varm luft. Rengør den, og opbevar den på korrekt vis.

Bemærk:

- Hold om aftrækslangeenheden med begge hænder, når den fjernes.
- Skub fastgørelsesanordningerne på luftudtaget til side med tommelfingrene, og træk afløbsslangeenheden ud.

5. Pak klimaanlægget korrekt ind i blød plast og placer det et tørt sted, hvor der ikke er støv. Apparatet skal holdes væk fra børn.

6. Tag batterierne ud af fjernbetjeningen, og opbevar dem på korrekt vis.

Bemærk:

- Sørg for, at apparatet opbevares et tørt sted.
- Alt tilbehør til apparatet holdes samlet og beskyttes på korrekt vis.

Vedligeholdelse

Rengør kondensatoren med et rengøringsmiddel fra Wood's. På woods.se kan du få mere at vide om, hvordan apparatet skal rengøres. Rengør apparatet med en fugtet blød klud. Brug ikke opløsningsmidler eller stærke rengøringsmidler, da de kan beskadige apparatets overflade.

Service

Hvis klimaanlægget trænger til service, skal du først kontakte din lokale forhandler. Købsbevis skal fremvises i forbindelse med alle garantikrav.

PROBLEM	ÅRSAG	AFHJÆLPNING
Apparatet starter ikke.	<p>Strømforsyningen fungerer ikke.</p> <p>Indikatoren for fuld vandbeholder lyser.</p> <p>Omgivelsestemperaturen er for lav eller lav høj.</p> <p>Stuetemperaturen er lavere end den indstillede temperatur i køletilstand eller højere end den indstillede temperatur i varmetilstand.</p>	<p>Slut apparatet til netforsyningen, og tænd det.</p> <p>Tøm apparatet for vand.</p> <p>Det anbefales at bruge denne enhed mellem 8 og 35.</p> <p>Ændr den indstillede temperatur.</p>
Dårlig køleeffekt.	<p>Der er direkte sollys.</p> <p>Døre og vinduer står åbne, der er for mange mennesker i lokalet, eller der er andre varmekilder.</p> <p>Filtret er snavset.</p> <p>Luftindtaget eller luftudtaget er tilstoppet.</p>	<p>Træk gardinerne for.</p> <p>Luk døren og vinduet, og fjern andre varmekilder.</p> <p>Rengør eller udskift filternettet.</p> <p>Fjern det, der sidder i vejen.</p>
Højt støjniveau	Apparatet står på en ujævn overflade.	Placer apparatet et plant og fast sted (kan reducere støjen).
Kompressoren virker ikke.	Overophedningsbeskyttelsen er aktiveret.	Vent, indtil temperaturen falder. Apparatet genstarter automatisk.
Fjernbetjeningen virker ikke.	<p>Afstanden er for stor.</p> <p>Fjernbetjeningen blev ikke rettet mod signalmodtageren på apparatet.</p> <p>Der er ikke strøm på batterierne.</p>	<p>Bring fjernbetjeningen tættere på klimaanlægget, og sørg for, at den er rettet mod signalmodtageren på apparatet.</p> <p>Udskift batterierne.</p>
<p>Brug nedenstående fejlfindingsoversigt, hvis der opstår problemer med affugteren. Hvis nedenstående ikke løser problemet, skal du kontakte forhandleren for at få klimaanlægget service.</p>		

Fejlkode		
CH01	Stuetemperaturføleren fungerer ikke.	Kontrollér stuetemperaturføleren og de tilhørende kredsløb.
CH02	Slangetemperaturføleren fungerer ikke.	Kontrollér slangetemperaturføleren og de tilhørende kredsløb.
E4	Frostbeskyttelse	Genaktivér funktionerne automatisk, når frostbeskyttelsen er overstået.
FL	Vandbeholderen i apparatet er fuld.	Tøm beholderen for kondens, og start apparatet igen.

Garanti

2 års forbrugergaranti mod produktionsfejl. Bemærk, at garantien kun er gyldig ved fremvisning af kvittering. Garantien gælder kun, hvis produktet anvendes i overensstemmelse med instruktionerne og sikkerhedsanvisningerne i denne manual. Garantien dækker ikke skader, som skyldes forkert håndtering af produktet.

BEMÆRK: Den 2-årige garanti gælder kun forbrugere og gælder ikke kommerciel brug af apparatet.



BEMÆRK!

Registrer dit produkt på www.warranty-woods.com, og læs om, hvordan du får udvidet garanti. Du kan få flere oplysninger på www.woods.se.

Anbefalede grænseværdier ved brug:

Den bedste driftstemperatur ved køling er 17-35 °C. Apparatet kan køre ved op til +45 °C. Sikring: \varnothing 5,0 x 20 mm, 3,15 A, 250 VAC.

TEKNISKE DATA

	AC Cortina 12K Duo
Kølekapacitet	3.520 W
Strømforbrug	1.350 W
Luftstrøm:	420m ³ / h
Energiklasse	A
Affugtning	33,6 L / 24h
Temperaturindstilling	17-30°C
Driftstemperatur	16-45°C
Energieffektivitetsfaktor	2,6
Aftrækslængde	1,5 m
Aftrækslængde diameter	15 cm
Kølemiddel	R290/260g
Støjniveau i decibel	56dB / 64dB
Vægt	33,4 kg
Mål i mm, L x B x H	850x471x355

*Der kan ske tekniske ændringer og forbedringer. Alle værdier er omtrentlige og kan variere på grund af ydre omstændigheder, såsom temperatur, ventilation og luftfugtighed.



*Denne mærkning viser, at produktet ikke må bortskaffes sammen med almindeligt husholdningsaffald i EU. For at undgå eventuelle miljø- eller sundhedsmæssige skader på grund af ukontrolleret bortskaffelse af affald skal produktet genvindes på forsvarlig vis. Dermed fremmes bæredygtig genbrug af materielle ressourcer. For at returnere apparatet til os skal du bruge returnerings- og indsamlingssystemerne eller kontakte den forhandler, hvor produktet blev købt. Forhandleren kan sørge for, at produktet genvindes på miljømæssigt forsvarlig vis.

WiFi-funktion

1. Download og installation af appen.

Download Woods Connect App fra App Store eller Google Play.

1. Registrering/Login/Glem adgangskode

Registrering

Hvis du ikke har en app-konto, skal du oprette en konto eller logge på med den bekræftelseskode, du modtager via sms.

Denne side beskriver registreringsprocessen.

1. Tryk for at komme ind på registreringssiden.
2. Systemet genkender automatisk dit land/område. Du kan også vælge din landekode. Indtast mobilnummer/e-mailadresse, og tryk på "Next" (Næste).
3. Hvis du indtaster mobilnummeret, skal du indtaste bekræftelseskode i beskeden og indtaste adgangskoden. Tryk på "Confirm" (Bekræft) for at afslutte registreringen.
4. Hvis du indtaster e-mailadressen, skal du indtaste adgangskoden og trykke på "Bekræft" for at afslutte registreringen.

2. Indlogging med brugernavn og adgangskode eller bekræftelseskode, som du modtager via sms.

Log på med brugernavn og adgangskode.

1. Systemet genkender automatisk dit land/område. Du kan også vælge din landekode. Indtast mobilnummer/e-mailadressen, og tryk på "Next" (Næste).
2. Indtast dit registrerede mobilnummer eller din e-mailadresse og din adgangskode for at logge på.

Indlogging med bekræftelseskode
 1. Tryk på "Sign in with SMS verification" (Log ind med sms-bekræftelseskode).
 2. Systemet genkender automatisk dit land/område.
 Du kan også selv vælge din landekode.

Glem adgangskode
 Hvis du har glemt din adgangskode, skal du følge denne fremgangsmåde:
 1. Tryk på "Forgot password" (Glem adgangskode).
 2. Systemet genkender automatisk dit land/område. Du kan også selv vælge din landekode. Indtast mobilnummer/e-mailadresse, og tryk på "Next" (Næste).
 3. Indtast bekræftelseskode fra beskeden/e-mailen, og indtast den nye adgangskode. Tryk på "Confirm" (Bekræft) for at afslutte.

WiFi Woods Connect understøtter nedenstående funktioner:

Tænd/sluk
 Køletilstand
 Affugtningstilstand
 Blæsertilstand
 Strømsparetilstand
 Temperaturindstillinger
 Hastighed: Lav, medium og høj
 Timer: 1-24 timer
 Dvaletilstand: Til/Fra
 Automatisk rensning Til/Fra
 Lås: Til/Fra
 Celsius/Fahrenheit
 Svingningstilstand Til/Fra

3. Følg fremgangsmåden i appen for at anvende WiFi.

Smart home

Hvis du har et smart home-produkt, skal du gennemføre punkt 1 til 3.

Tredjeparts adgangstjeneste: Tryk på ikonet for en tredjeparts tjeneste for at se, hvordan du opretter forbindelse til tjenesten.
 Du finder følgende ikoner:

Smart Home Woods Connect understøtter nedenstående funktioner ved brug af stemmekommando:

Tænd/sluk
 Temperaturindstillinger

Du kan få nærmere oplysninger på:
<https://woods.se/en/>

GERÄTE VON WOOD FÜR SAUBERE UND GESUNDE RAUMLUFT

Die Marke Wood wurde von der Familie Wood vor über 65 Jahren in der kanadischen Stadt Guelph, Ontario, ins Leben gerufen. Dort nahm Wood 1950 die Entwicklung und Herstellung von Luftentfeuchtern auf. Seitdem hat Wood mehreren hunderttausend Haushalten geholfen, Schäden durch Schimmelfeuchtigkeit zu verhindern und sauberere Luft zu genießen. Unsere tragbaren Klimaanlage eignen sich für den Einsatz in den meisten Klimazonen, in denen die Leistung auch bei unterschiedlichen Temperaturen und Feuchtigkeitswerten gut ist. Die Geräte werden mit guten Ergebnissen in feuchten Räumen wie Wohnzimmern, Büros oder Schlafzimmern eingesetzt. Die Menge der vom Gerät beseitigten Warmluft hängt von Temperatur, Luftfeuchte und Standort ab. Auch externe Wetterbedingungen wirken sich auf die Trocknungsleistung aus.

Die Klimaanlage von Wood sind betriebssicher und für einen langjährigen Dauerbetrieb ausgelegt.

WIE FUNKTIONIERT DIE KLIMAAANLAGE?

Niedriger Druck sorgt für kalte Luft. Das Hauptelement der Klimaanlage ist ein Kältemittel, das unter niedrigem Druck in Gas umgewandelt wird. Dieser Prozess „erzeugt Kälte“, die nach innen geleitet wird, während die warme Luft am Eindringen gehindert wird. Ein flüssiges Kältemittel wird über ein Expansionsventil in ein Rohr geleitet, in dem der Druck niedrig ist. Das Kältemittel verdunstet und verwandelt sich in ein Gas. Dieser Prozess absorbiert Wärme aus der Umgebung und das Rohr wird gekühlt. Ein Lüfter leitet die kalte Luft in den Raum. Das Gas wird durch einen Kompressor geleitet, der den Druck erhöht und das Gas in Flüssigkeit umwandelt. Dabei wird Wärme freigesetzt, die in Rohre auf der gegenüberliegenden Seite geleitet und von einem Lüfter verteilt wird. Ein Thermostat schaltet das Gerät ab, wenn die Raumluft kalt genug ist.

1. SICHERHEITSHINWEISE



Brennbares Material. Dieses Gerät enthält R290/ Propan, ein brennbares Kältemittel.



Diesem Handbuch sind die Sicherheitshinweise zu entnehmen.



Lesen Sie das technische Handbuch.



Lesen Sie die Bedienungsanleitung.

SICHERHEITSHINWEISE

Vor der Installation und Nutzung des Geräts sind die beiliegenden Anleitungen sorgfältig zu lesen. Bei Verletzungen oder Sachschäden aufgrund einer unsachgemäßen Installation übernimmt der Hersteller keine Haftung. Die Anleitung ist zusammen mit dem Gerät aufzubewahren, damit man jederzeit darin nachschlagen kann.

Sicherheit von Kindern und schutzbedürftigen Personen

WARNUNG

Gefahr von Verletzungen und Dauerinvalidität. Dieses Gerät kann von Kindern ab 8 Jahren und Personen mit eingeschränkten körperlichen, sensorischen oder geistigen Fähigkeiten oder mangelnden Erfahrungen und Kenntnissen benutzt werden, wenn sie in der sicheren Handhabung der Geräte unterwiesen

wurden und die damit verbundenen Gefahren verstehen bzw. unter entsprechender Aufsicht stehen. Kinder nicht mit dem Gerät spielen lassen!

Kinder unter 3 Jahren sind vom Gerät fernzuhalten, sofern sie nicht ständig beaufsichtigt werden. Sämtliches Verpackungsmaterial von Kindern fernhalten. Reinigung und Wartung dürfen nicht von unbeaufsichtigten Kindern durchgeführt werden.

Allgemeine Sicherheitshinweise

Dieses Gerät ist für den Einsatz in Haushaltsbereichen und ähnlichen Umfeldern vorgesehen, z. B.: Familienzimmer, Wohnzimmer, Küchenbereiche der Mitarbeiter in Geschäften, Büros und anderen Arbeitsbereichen. Das Typenschild befindet sich auf der Seite oder Rückseite der Klimaanlage. Lüftungsöffnungen dürfen nicht überdeckt werden.

Als Abtauhilfen dürfen keine mechanischen oder sonstigen Geräte, sondern ausschließlich die vom Hersteller empfohlenen Vorrichtungen verwendet werden. Das Gerät nicht in Räumen mit in Betrieb befindlichen Zündquellen (z. B. offene Flammen, Betriebsgasgeräte, elektrische Betriebsheizungen) lagern. Das Gerät nicht anstecken oder verbrennen. Kältemittel können geruchlos sein. Gerät nicht mit Wasserstrahl oder Dampf reinigen. Gerät mit einem feuchten, weichen Tuch reinigen. Nur neutrale Reinigungsmittel be-

nutzen. Keine Scheuermittel, Schmirgelschwämme, Lösungsmittel oder Metallgegenstände verwenden. Bei einem Schaden am Netzkabel muss der Austausch aus Sicherheitsgründen durch den Hersteller, ein offizielles Servicezentrum oder Fachpersonal erfolgen.

SICHERHEITSHINWEISE

Installation

WARNUNG



Das Gerät darf nur von einer entsprechend qualifizierten Person installiert werden.

Die Verpackung ist restlos vom Gerät zu entfernen.

Ein beschädigtes Gerät darf weder installiert noch verwendet werden.

Lagerung, Installation und Betrieb des Geräts sind nur in Räumen mit einer Mindestfläche von 12,5 m² zulässig. Die beiliegende Installationsanleitung ist zu befolgen.

Das Gerät ist schwer – Vorsicht beim Transport und beim Umstellen. Immer Schutzhandschuhe tragen. Kältemittel können geruchlos sein.

Darauf achten, dass die Luft ungehindert um das Gerät zirkulieren kann.

Vor dem Netzanschluss mindestens 4 Stunden mit aufrecht stehendem Gerät warten. In dieser Zeit kann das Öl zurück in den Kompressor fließen.

Gerät nicht in der Nähe von Radiatoren und anderen Wärmequellen betreiben.

Das Gerät nicht an einem Ort mit direkter Sonneneinstrahlung aufstellen.

Elektrischer Anschluss

WARNUNG

Brand- und Stromschlaggefahr. Das Gerät muss an eine geerdete Steckdose angeschlossen werden. Darauf achten, dass die elektrischen Angaben auf dem Typenschild mit dem Netzanschluss übereinstimmen. Sollte das nicht der Fall sein, wenden Sie sich an eine Elektrofachkraft.

Der Anschluss muss an eine sachgerecht installierte, VDE-zugelassene Steckdose erfolgen. Multistecker-Adapter und Verlängerungskabel sind unzulässig. Darauf achten, dass die elektrischen Komponenten (z.B. Netzstecker, Netzkabel) nicht beschädigt werden.

Falls ein elektrisches Bauteil ausgetauscht werden muss, ein Autorisiertes Servicezentrum oder einen Elektriker beauftragen.

Das Netzkabel muss durchgehend unterhalb der Steckdose verlegt werden.

Das Gerät erst nach der Aufstellung am endgültigen Betriebsort an die Steckdose anschließen. Der Netzstecker muss jederzeit zugänglich sein.

Zum Trennen der Stromversorgung nicht am Netzkabel ziehen. Immer direkt am Netzstecker ziehen.

Betrieb

WARNUNG

Verletzungs-, Verbrennungs-, Stromschlag- und Brandgefahr! Gerät nur innerhalb der angegebenen Spezifikationen betreiben und keine

Veränderungen am Gerät vornehmen.

Darauf achten, dass der Kältemittelkreislauf nicht beschädigt wird. Der Kreislauf enthält das umweltverträgliche Erdgas Propan (R290). Es ist brennbar.

Sollte der Kältemittelkreislauf beschädigt werden, sofort sicherstellen, dass es im Raum weder offenes Feuer noch Zündquellen gibt. Den Raum lüften. Keine brennbaren Produkte oder nasse Gegenstände, die mit brennbaren Produkten benetzt sind, auf das Gerät oder in dessen Nähe stellen.

Entsorgung

WARNUNG

Verletzungsgefahr!

Den Netzstecker des Geräts abziehen.

Netzkabel abschneiden und entsorgen.

Der Kältemittelkreislauf des Geräts ist ozonverträglich.

Die Vorgehensweise bei der umweltverträglichen Entsorgung des Geräts ist bei der zuständigen Behörde nachzufragen.

Der Teil der Kühleinheit unmittelbar neben dem Wärmetauscher darf nicht beschädigt werden.

EINRICHTUNG DER KLIMAAANLAGE ZUR INSTALLATION

WICHTIG:

2. Installation

VOR DEM ERSTEN EINSATZ

Vor der Erstverwendung das Gerät 4 Stunden aufrecht stehen lassen.

Auswahl des Standorts

Wichtig

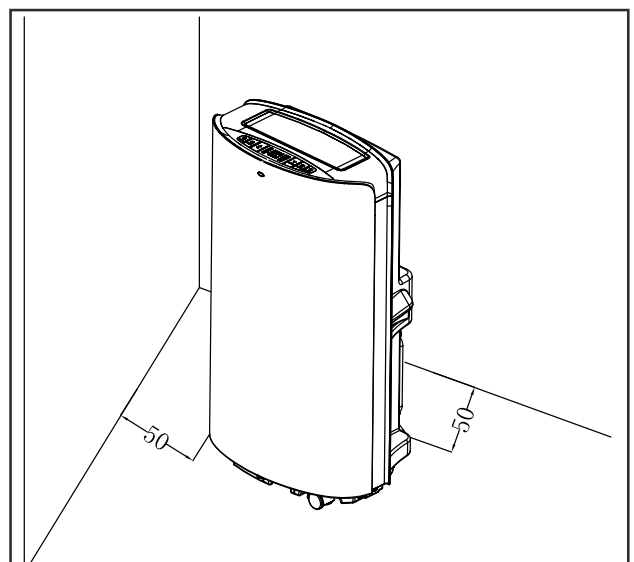
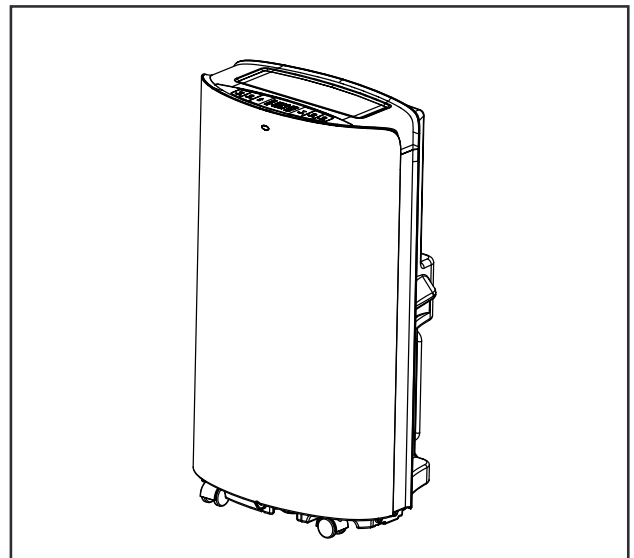
1. Diese Klimaanlage kann im Innenbereich beliebig bewegt werden. Das Gerät beim Standortwechsel in aufrechter Position halten. Die Klimaanlage ist auf einer ebenen Oberfläche aufzustellen. Diese Klimaanlage nicht in einem Badezimmer oder einem anderen Feuchtbereich installieren oder betreiben.

Da die tragbare Klimaanlage über Räder verfügt, ist ein Standortwechsel einfach. Wenn es heiß wird, ist die tragbare Klimaanlage einfach in den Raum zu bewegen, damit sie schnell mit der Kühlung des Raumes beginnen kann. Die Klimaanlage arbeitet in einem geschlossenen Bereich am effektivsten. Alle Türen, Fenster und andere Außenöffnungen des Raums schließen. Die Wirksamkeit der Klimaanlage hängt von der Temperatur und der Luftfeuchtigkeit ab.

2. Die Klimaanlage an einem Ort aufstellen, der den Luftstrom durch die Vorderseite des Geräts nicht einschränkt.

3. Eine Klimaanlage in einem Raum hat wenig oder gar keine Wirkung beim Trocknen eines angrenzenden geschlossenen Lagerbereichs wie z. B. in einem Schrank, es sei denn, es ist eine ausreichende Luftzirkulation in und aus dem Bereich heraus vorhanden. Eine tragbare Klimaanlage leitet die Wärme aus dem Gerät über einen Lüftungsschlauch durch ein Fenster oder Abluftventil ab.

4. Zwischen Klimaanlage und nächstgelegenen Objekt sollte ein Mindestabstand von 50 cm vorhanden sein. Siehe Beispiel in der Abbildung.



PRODUKTBESCHREIBUNG

3. Produktbeschreibung

A

1. Haupteinheit der Klimaanlage
2. Fernbedienung
3. Batterien
4. Bedienungsanleitung
5. Rundsteckverbinder
6. Heiß - Abluftschlauch
7. Adapter
8. Fensterbausatz

B

1. Seitenansicht der Hauptklimaanlage

C

1. Vorderseite
2. Aufnahme Fenster der Fernbedienung
3. Bedienfeld
4. Abdeckung
5. Horizontale Lüftungsschlitze
6. Rechte Verkleidung
7. Obere Filteranordnung der Rückwand
8. Fach für die Fernbedienung
9. Linke Verkleidung
10. Netzkabel mit Stecker
11. Wickelsäule
12. Untere Filteranordnung der Rückwand
13. Ablaufabdeckung
14. Universalrad
15. Filteranordnung der Seitenwand
16. Schutzgitter
17. Befestigung
18. Griff
19. Rundanschluss des Abluftschlauchs
20. Abluftschlauch
21. Adapter des Abluftschlauchs
22. Fensterbausätze

D

1. Rückseitenansicht der Hauptklimaanlage

E

1. Luftausgang
2. Bedienfeld

F

1. Bedienfeld

G

1. Timer-Schalter
2. Drehzahlschalter
3. Auf-Taste
4. Ab-Taste
5. Betriebsartenschalter
6. Netzschalter
7. Anzeige Kühlbetrieb
8. Anzeige Entfeuchtungsbetrieb
9. Anzeige Lüfterbetrieb
10. Anzeige Energiesparbetrieb
11. WLAN-Anzeige
12. Anzeige Auto-Schwenkfunktion
13. Anzeige Auto-Reinigungsfunktion
14. Anzeige Wassertank voll
15. Anzeige Standby-Betrieb
16. Anzeige Lüfterdrehzahl
17. Timer-Anzeige
18. Anzeige Timer-Zeit
19. Temperaturanzeige

H

1. Ausbau der Filter

I

1. Den Filtergriff ergreifen und vorsichtig in die richtige Richtung herausziehen.
2. Die Schmutzpartikel im Filter bei Bedarf mit einem Reinigungsmittel beseitigen.
3. Den Filter vorsichtig mit neutralem Reiniger in warmem Wasser (ca. 40° C) reinigen und danach abspülen und im Schatten gründlich trocknen lassen.

J

1. Befestigung
2. Schlitz
3. Anbringung des Abluftschlauchs

K

1. Fernbedienungsgehäuse
2. Fernbedienung
3. Fernbedienung Halterichtung

L

1. Auf- und Ab-Taste
2. Lüfter-Drehzahlschalter
3. Timer-Schalter
4. Standby-Taste
5. LCD-Anzeigefenster
6. Netzschalter
7. Betriebsartenschalter
8. Auto-Schwenk-Taste
9. Auto-Reinigungstaste

M

1. Vor der Verwendung der Fernbedienung sind die AAA-Batterien in die Fernbedienung einzulegen.

N

1. Ablaufabdeckung
2. Ableitschlauch

O

1. Ablaufabdeckung
2. Ablaufsperre
3. Wasserausgang

P

1. Ein Ende des Abluftschlauchs verlängern und das Ende des runden Steckers ohne Schlitz gegen den Uhrzeigersinn mindestens 3 Umdrehungen aufschrauben.
2. Das andere Ende des Abluftschlauchs verlängern und den Adapter gegen den Uhrzeigersinn mindestens 3 Umdrehungen aufschrauben.
3. Anbringung des Abluftschlauchs

Q

1. Zwei Enden der Fensterdichtplatten genau an die Fensterkanten anpassen, damit die Abdichtung sichergestellt ist.

R

1. Gebrauchsfertige Klimaanlage

FUNKTION DER BETRIEBSARTEN UND INSTALLATIONS BESCHREIBUNGEN

Installation

Wenn das Gerät horizontal transportiert wurde, muss es vor dem Ersteinbau 4 Stunden lang aufrecht stehen.

Das Gerät auf einer flachen und festen Oberfläche aufstellen.

Das Gerät nicht in Badezimmern oder anderen Feuchtbereichen installieren. Sicherstellen, dass der Luftstrom nicht blockiert ist. Dazu muss immer ein Mindestabstand von 50 cm zu den benachbarten Flächen bestehen.

ANBRINGUNG DES ABLUFTSCHLAUCHS

1. Ein Ende des Abluftschlauchs verlängern und das Ende des runden Steckers ohne Schlitz gegen den Uhrzeigersinn mindestens 3 Umdrehungen aufschrauben.
2. Das andere Ende des Abluftschlauchs verlängern und den Adapter gegen den Uhrzeigersinn mindestens 3 Umdrehungen aufschrauben.
3. Den Abluftschlauch verlängern und durch eine Tür oder ein Fenster nach außen verlegen.

VERWENDUNG DES FENSTERBAUSATZES

1. Soll der Fensterbausatz verwendet werden, ist das Fenster zu öffnen und der Fensterbausatz horizontal oder vertikal in das Fenster einzusetzen.
2. Die Länge des Fensterbausatzes anpassen und diesen mit den Schrauben befestigen.
3. Das Fenster schließen und den Adapter am Abluftschlauch mit dem Fensterbausatz verbinden.

VERWENDUNG DES FENSTERBAUSATZES

Vor der Verwendung der Fernbedienung sind die AAA-Batterien in die Fernbedienung einzulegen.

1. Die Batterieabdeckung auf der Rückseite der Fernbedienung eindrücken und aufschieben, damit sie abgenommen werden kann.
2. Zwei neue AAA-Alkalibatterien in das Batteriefach einlegen und dabei auf die richtige Polarität achten.
3. Die Batterieabdeckung wieder anbringen und sicherstellen, dass die Verriegelung einrastet.

Es dürfen nur Alkalibatterien verwendet

werden. Keine wiederaufladbaren Batterien verwenden!

Beim Austausch von Batterien sind immer beide Batterien durch neue Batterien zu ersetzen. Keine alten mit neuen Batterien vermischen.

Wenn die Klimaanlage über einen längeren Zeitraum nicht verwendet wird, sind die Batterie aus der Fernbedienung zu nehmen.

Bedienungsanleitung

1. Gerät einschalten. Die POWER-Taste betätigen, um das Gerät ein- bzw. auszuschalten.
2. Eine Betriebsart auswählen. Das Gerät verfügt über 4 verschiedene Betriebsarten: Kühlung, Luftentfeuchtung, Energieeinsparung und Lüftung. MODE am Bedienfeld oder an der Fernbedienung zur Auswahl der Betriebsart betätigen.
 - Kühlung: Die gewünschte Temperatur mit den Pfeilen des Bedienfelds oder der Fernbedienung einstellen. Die eingestellte Temperatur wird im Display angezeigt.
 - Entfeuchtung: Bei der Entfeuchtung läuft der Lüfter nur mit niedriger Drehzahl. Die Temperatur kann nicht eingestellt werden.
 - Lüfterbetrieb: Der Kompressor wird abgeschaltet und nur der Lüfter läuft. Die Temperatur kann nicht eingestellt werden.
 - Energiesparbetrieb: Im Energiesparbetrieb ist der Energieverbrauch gering. Wenn die Umgebungstemperatur höher als die eingestellte Temperatur ist, arbeitet das Gerät im Kühlbetrieb. Wenn die Umgebungstemperatur die eingestellte Temperatur erreicht, wird der Kompressor ebenso wie der obere Lüfter abgeschaltet. Nach 2 Minuten und 30 Sekunden schaltet der obere Lüfter 30 Sekunden auf niedrige Drehzahl um. Wenn der Kompressor nicht anläuft (d. h. die Umgebungstemperatur ist niedriger als die eingestellte Temperatur), arbeitet der obere Lüfter ständig in dieser Betriebsart (2 Minuten und 30 Sekunden lang Abschaltung sowie 30 Sekunden lang geringer Lüfterbetrieb).
3. Einstellung des Timers:
 - Zur Einstellung des Timers auf Abschaltung ist die TIMER-Taste zu betätigen, wenn das Gerät in Betrieb ist.
 - Zur Einstellung des Timers auf Einschaltung ist die TIMER-Taste zu betätigen,

wenn das Gerät nicht in Betrieb ist. Die Zeit mit den Auf- und Abwärtspfeilen des Bedienfelds oder der Fernbedienung festlegen. Wenn der Timer aktiviert ist, erscheint eine Leuchtanzeige auf dem Bedienfeld.

4. Einstellung der Lüfterdrehzahl: Die SPEED-Taste des Bedienfelds zur Auswahl der Lüfterdrehzahl betätigen. Auf der Fernbedienung die FAN-Taste zur Festlegung der Lüfterdrehzahl betätigen.
5. Celsius/Fahrenheit: Auf dem Bedienfeld gleichzeitig die Auf- und Abwärtspfeile zu Umschaltung zwischen Celsius und Fahrenheit betätigen.
6. Standby-Modus: Den Standby-Modus in der Nacht aktivieren, damit das Gerät den Schlaf nicht stört. Im Kühlbetrieb TIMER und UP zur Umschaltung auf den Standby-Modus gleichzeitig betätigen. An der Fernbedienung die SLEEP-Taste betätigen. Bei erneuter Betätigung wird die Option deaktiviert.
7. Auto-Schwenkfunktion: Die Tasten TIMER und SPEED zur Aktivierung der Schwenkfunktion gleichzeitig betätigen. An der Fernbedienung die Auto-Schwenkfunktionstaste betätigen. Bei erneuter Betätigung wird die Option deaktiviert.
8. Auto-Reinigungsfunktion: Zur internen Reinigung des Geräts die Taste AUTO-CLEAN an der Fernbedienung betätigen. Das Gerät wird 3 Minuten lang gereinigt und dann abgeschaltet.

SCHUTZFUNKTIONEN

Automatisches Abtauen

Das Gerät aktiviert die Abtauerung bei Bedarf automatisch. Im Abtaumodus zeigt das Display E4 an und nur die POWER-Taste ist aktiv.

Kompressorschutzfunktion

Das Gerät verfügt über eine Kompressorschutzfunktion, die für eine Startverzögerung von 3 Minuten nach dem Neustart des Geräts sorgt.

Alarm voller Wassertank:

Wenn der Wassertank voll ist, funktioniert das Gerät nicht mehr. Im Display leuchtet ein Signal auf und ein Warnton ertönt, wenn der Wassertank voll ist. Den Wassertank leeren und das Gerät neu starten.

FUNKTION DER BETRIEBSARTEN UND INSTALLATIONS BESCHREIBUNGEN

Anleitung zur Ableitung des Wassers

Entleerung des Wassertanks:

Den Abflussdeckel öffnen und den Stopfen entfernen. Den Wassertank entleeren und den Wasserstopfen und Abflussdeckel wieder anbringen.

Hinweise:

- Das Gerät vorsichtig bewegen, damit keine Undichtigkeiten entstehen.
- Das Gerät beim Entleeren leicht nach hinten neigen.
- Den Abfluss so schnell wie möglich verschließen, bevor die Schale voll ist. Wenn sie voll ist und das gesamte Wasser im Gerät nicht aufnehmen kann, kann der Boden oder Teppich nass werden.
- Stopfen und Abflussdeckel müssen fest angebracht werden, damit das Kondenswasser nicht erneut auf den Boden oder Teppich tropft, wenn das Gerät wieder in Betrieb genommen wird.

Anschluss eines Wasserschlauchs zur ständigen Wasserableitung:

Den Abflussdeckel öffnen und den Stopfen entfernen. Einen Wasserschlauch der Größe 13 mm am Rohr des Geräts anschließen. Das andere Ende des Wasserschlauchs zu einem Abfluss verlegen. Sicherstellen, dass das Wasser nach unten ablaufen kann.

Hinweise:

- Der Ablaufschlauch muss dann angebracht werden, wenn sich kein Wasser in der Schale befindet.
- Es wird empfohlen, keine ständig Wasserableitung zu verwenden, wenn sich die Einheit im Kühlbetrieb (COOL) befindet, damit sichergestellt ist, dass genügend Wasser im Gerät umläuft, wie zur Steigerung der Systemkühlleistung benötigt wird.
- Den Ablaufschlauch an einer unzugänglichen Stelle anbringen, nicht höher als die Ablauföffnung, und ohne Biegung gerade verlegen.
- Die Abflussabdeckung und den Stopfen sorgfältig verwahren, wenn mit ständiger Wasserableitung gearbeitet wird.

Luftfilter:

Der Luftfilter verhindert, dass Staub und Schmutz in die Maschine gelangen, wodurch die Haltbarkeit des Geräts verlängert wird. Es ist wichtig, dass der Filter regelmäßig gereinigt wird. Andernfalls kann das Gerät ernsthaft beschädigt werden. Daher sind die Filter mindestens einmal alle zwei Wochen zu reinigen.

Filterreinigung:

1. Den Filter ausbauen.
2. Den Filter nach oben herausnehmen und mit warmem Wasser sowie einem milden Reinigungsmittel reinigen. Alternativ kann der Filter auch mit dem Staubsauger gereinigt werden.
3. Den Filter trocknen lassen und wieder einsetzen.

Filtereinbau

Das Ende des Filters in Richtung Schlitz ausrichten und den Filter sanft in den Steckplatz eindrücken.

Hinweise:

- Der Filter muss in der Seitenwand und danach der Filter auf der Rückseite angebracht werden.
- Den Filter entgegengesetzt zur Ausbaurichtung einsetzen.
- Den Filter vorsichtig einsetzen, damit keine Schäden am Filter entstehen.

Es ist sehr wichtig, dass der Filter regelmäßig gereinigt wird. Andernfalls könnte die Klimaanlage in der Leistung nachlassen und sogar schwer beschädigt werden.

Lagerungsanweisungen

Lagerung der Fernbedienung

1. Die Fernbedienung in das dafür vorgesehene Fach auf der linken Seite des Geräts legen.
2. Den unteren Teil des Fachs vorsichtig zum Öffnen eindrücken und die Fernbedienung herausnehmen.

Lagerung am Ende der Saison

1. Die Abflussabdeckung abschrauben und den Stopfen herausziehen, damit

das Kondenswasser vollständig abfließen kann.

2. Das Gerät einen halben Tag lang im Lüftermodus laufen lassen, damit es innen vollständig trocknet, so dass kein Schimmel entstehen kann.
3. Das Gerät ausschalten, den Stecker abziehen und dann das Netzkabel um die Drahtsäule wickeln. Den Stecker in die universelle Befestigungsbohrung auf der Rückseite des Geräts stecken sowie den Stopfen und die Abflussabdeckung anbringen.
4. Die Baugruppe mit dem Abluftschlauch ausbauen, reinigen und ordnungsgemäß aufbewahren.

Hinweise:

- Die Abluftschlauchbaugruppe beim Ausbau mit beiden Händen ergreifen.
 - Die Halterungen am Abluftausgang mit den Daumen zur Seite schieben und dann die Ablaufschlauchbaugruppe herausziehen.
5. Die Klimaanlage richtig in einem weichen Plastikbeutel verpacken und mit angemessenen staubdichten Vorkehrungen an einem trockenen Ort unerreichbar für Kinder aufbewahren.
 6. Die Batterien aus der Fernbedienung nehmen und ordnungsgemäß aufbewahren.

Hinweis:

- Sicherstellen, dass das Gerät an einem trockenen Ort gelagert wird.
- Alle Zubehörteile des Geräts sind ordnungsgemäß zusammen zu schützen.

Wartung

Den Kondensator mit dem Reinigungsmittel von Wood reinigen. Mehr über die Reinigung des Geräts erfahren Sie unter woods.se. Das Gerät ist mit einem weichen feuchten Tuch zu reinigen. Keine Lösungsmittel oder starken Reinigungsmittel verwenden, da die Oberfläche des Geräts dadurch beschädigt werden könnte.

Service

Wenn die Klimaanlage gewartet werden muss, ist zunächst Kontakt zum Händler vor Ort aufzunehmen. Bei allen Garantieansprüchen ist ein Kaufbeleg vorzulegen.

PROBLEM	URSACHE	BEHEBUNG
Das Gerät kann nicht gestartet werden.	Ausfall der Stromversorgung Wassertank voll und Symbolbeleuchtung Umgebungstemperatur zu niedrig oder zu hoch. Die Raumtemperatur ist im Kühlbetrieb niedriger bzw. im Heizbetrieb höher als die Solltemperatur.	Das Gerät an eine stromführende Steckdose anschließen und einschalten. Das im Gerät vorhandene Wasser ablassen. Es wird empfohlen, dieses Gerät von 8 bis 35 Grad Celsius einzusetzen Änderung der Solltemperatur
Schlechte Kühlleistung	Direkte Sonneneinstrahlung Die Türen und Fenster sind offen, der Raum ist überfüllt oder es gibt andere Wärmequellen. Filter verschmutzt. Luftzufuhr oder Luftausgang verstopft.	Den Fenstervorhang schließen. Die Tür und das Fenster schließen und andere Wärmequellen entfernen. Das Filternetz reinigen oder austauschen. Die Verstopfung beseitigen.
Hoher Geräuschpegel	Das Gerät steht auf einer unebenen Fläche.	Das Gerät an einem flachen und stabilen Ort aufstellen (dies kann Lärm reduzieren).
Der Kompressor funktioniert nicht.	Auslösung des Überhitzungsschutzes	Warten, bis die Temperatur wieder gesunken ist, dann wird das Gerät automatisch wieder eingeschaltet.
Die Fernbedienung funktioniert nicht.	Zu große Entfernung Die Fernbedienung war nicht auf den Signalempfänger des Geräts ausgerichtet. Die Batterien liefern keinen Strom.	Die Fernbedienung in die Nähe der Klimaanlage bringen und die Funkverbindung am Signalempfänger des Geräts sicherstellen. Die Batterien austauschen.
Bei Problemen mit dem Luftentfeuchter siehe Fehlerbehebung weiter unten. Wenn keine der nachstehend aufgeführten Maßnahmen den gewünschten Erfolg bringt, ist der Händler um Wartung der Klimaanlage zu bitten.		

Fehlercodes		
CH01	Ausfall Raumtemperatursensor	Den Raumtemperatursensor und die zugehörigen Schaltkreise überprüfen.
CH02	Ausfall Röhrentemperatursensor	Den Röhrentemperatursensor und die zugehörigen Schaltkreise überprüfen.
E4	Frostschutz	Die Funktionen werden automatisch wieder aktiviert, sobald der Frostschutz beendet ist.
FL	Wassertank im Fahrgestell voll.	Das Kondenswasser ablassen und das Gerät neu einschalten.

Garantien

2 Jahre Verbrauchergarantie auf Produktionsfehler. Es ist zu beachten, dass die Garantie nur bei Vorlage der Quittung gilt. Die Garantie gilt nur, wenn das Produkt in Übereinstimmung mit den Anweisungen und Sicherheitshinweisen in diesem Handbuch verwendet wird. Die Garantie deckt keine Schäden ab, die durch unsachgemäße Handhabung des Produkts verursacht werden.

HINWEIS: Die 2-Jahres-Garantie gilt nur für Verbraucher und nicht bei gewerblicher Nutzung des Geräts.



HINWEIS:

Registrieren Sie sich bei www.warranty-woods.com. Dort erfahren Sie, wie Sie eine erweiterte Garantie erhalten. Weitere Informationen finden Sie unter www.woods.se/de.

Empfohlene Betriebsgrenzwerte

Die beste Umgebungstemperatur im Kühlbetrieb liegt bei 17 bis 35 °C. Das Gerät läuft bis +45 °C. Sicherungsparameter: $\varnothing 5,0 \times 20$ mm 3,15 A, 250 VAC.

TECHNISCHE DATEN

	AC Cortina 12K Duo
Kühlleistung	3.520 W
Stromverbrauch	1.350 W
Umluftleistung:	420m ³ / h
Energieklasse	A
Entfeuchtung	33,6 L / 24h
Temperateureinstellung	17-30°C
Betriebstemperatur	16-45°C
EER	2,6
Länge Abluftschlauch	1,5 m
Durchmesser Abluftschlauch	15 cm
Kältemittel	R290/260g
Geräuschpegel in Dezibel	56dB / 64dB
Gewicht	33,4 kg
Abmessungen in mm, L x B x H	850x471x355

*Technische Änderungen und Verbesserungen vorbehalten. Alle Angaben sind Richtwerte und können aufgrund von äußeren Einflüssen wie Temperatur, Belüftung und Luftfeuchtigkeit variieren.



*Mit dieser Kennzeichnung darf das Gerät EU-weit nicht mit dem normalen Haushaltsabfall entsorgt werden. Um mögliche Schäden für die Umwelt oder die menschliche Gesundheit durch unkontrollierte Abfallentsorgung zu verhindern, ist ein verantwortungsvolles Recycling sicherzustellen und somit die nachhaltige Wiederverwendung materieller Ressourcen zu fördern. Für die Rückgabe des Geräts an uns stehen Rücksendungs- und Sammelsysteme zur Verfügung. Alternativ ist Kontakt zu dem Händler aufzunehmen, bei dem das Produkt gekauft wurde. Die Händler können dieses Produkt einem umweltschonenden Recycling zuführen.

WLAN-Funktion

1. Die APP herunterladen und installieren.

Die Woods Connect App aus dem App Store oder bei Google Play herunterladen.

1. Registrieren/Anmelden/Passwort vergessen

Registrierung

Wenn Sie kein App-Konto haben, können Sie ein Konto einrichten oder sich mit dem per SMS erhaltenen Bestätigungscode anmelden. Auf dieser Seite wird der Registrierungsablauf beschrieben.

1. Zum Aufruf der Registrierungsseite anklicken.

2. Das System erkennt Ihr Land/Gebiet automatisch. Sie können auch Ihr Länderkürzel auswählen.

Die Handynummer/E-Mail-Adresse eingeben und „Weiter“ anklicken.
3. Bei Verwendung der Mobiltelefonnummer ist der Bestätigungscode in die Nachricht einzugeben und die Registrierung nach Eingabe des Passwortes mit „Bestätigen“ abzuschließen.

4. Bei Verwendung der E-Mail ist das Passwort einzugeben und die Registrierung nach Eingabe des Passwortes mit „Bestätigen“ abzuschließen.

2. Melden Sie sich mit Ihrem Benutzernamen und Passwort oder dem per SMS erhaltenen Bestätigungscode an.

Anmeldung mit Benutzernamen und Passwort

1. Das System erkennt Ihr Land/Gebiet automatisch. Sie können auch Ihr Länderkürzel auswählen. Die Handynummer/E-Mail-Adresse eingeben und „Weiter“ anklicken.

2. Zur Anmeldung die registrierte Handynummer oder E-Mail-Adresse und das Passwort eingeben.

Anmeldung mit Bestätigungscode
1. Zum Wechsel auf eine neue Seite ist „Anmeldung mit SMS-Bestätigung“ anzuklicken.
2. Das System erkennt Ihr Land/Gebiet automatisch. Man kann sein Länderkürzel auch selber auswählen.

Passwort vergessen

Wenn Sie Ihr Passwort vergessen haben, ist wie folgt vorzugehen:

1. „Passwort vergessen“ anklicken.

2. Das System erkennt automatisch Ihr Land/Gebiet automatisch. Sie können Ihr Länderkürzel auch selbst auswählen. Die Handynummer/E-Mail-Adresse eingeben und „Weiter“ anklicken.

3. Den Bestätigungscode in die Nachricht/E-Mail sowie das neue Passwort eingeben und den Vorgang mit „Bestätigen“ abschließen.

WiFi Woods Connect unterstützt folgende Funktionen:

Ein-/Ausschalten

Kühlbetrieb

Entfeuchtungsbetrieb

Lüfterbetrieb

Spar-Modus

Temperatureinstellungen

Drehzahl: Niedrig, mittel und hoch

Timer: 1 bis 24 Stunden

Pause: Ein/Aus

Automatische Reinigung: Ein/Aus

Sperre: Ein/Aus

Celsius/Fahrenheit

Schwenkfunktion: Ein/Aus

3. Den in der APP vorgegebenen Ablauf einhalten, wenn WLAN genutzt werden soll.

Smart Home

Wenn Sie ein Smart Home Produkt haben, sind die Schritt 1 bis 3 zu befolgen.

Zugriffsdienst von Drittanbietern:
Wenn Sie das Sprachdienstsymbol eines Drittanbieters anklicken, erfahren Sie, wie Sie eine Verbindung zu dem Dienstleister herstellen. Diese Symbole stehen zur Verfügung:

Smart Home Woods Connect unterstützt die nachstehenden Funktionen per Sprachbefehl:

Ein-/Ausschalten Temperatureinstellungen

Weitere Informationen finden Sie unter:

<https://woods.se/en/>

WOOD'S POUR UN AIR INTÉRIEUR PROPRE ET SAIN

La marque Wood's est née avec la famille Wood's il y a plus de 65 ans dans la ville canadienne de Guelph, dans l'Ontario. C'est là que Wood's a commencé à développer et à fabriquer des déshumidificateurs en 1950. Depuis, Wood's a aidé plusieurs centaines de milliers de foyers à empêcher les dommages provoqués par l'humidité et la moisissure et à respirer un air plus propre. Nos climatiseurs portatifs conviennent à une utilisation dans la plupart des climats, où la capacité est bonne même à différents niveaux de températures et d'humidité. Nos déshumidificateurs obtiennent de très bons résultats dans des lieux chauds, comme les pièces de vie, les bureaux ou les chambres. La quantité d'air chaud retirée par le climatiseur dépend de la température, du niveau d'humidité et du lieu d'installation. Les conditions météorologiques extérieures peuvent également affecter les performances de votre climatiseur.

Les climatiseurs de Wood's sont sûrs et ont été conçus pour une utilisation continue pendant de nombreuses années.

COMMENT FONCTIONNE L'UNITÉ DE CLIMATISATION ?

La pression basse produit de l'air froid. L'élément principal du climatiseur est un réfrigérant, qui est converti en gaz à basse pression. Le processus « crée du froid », qui est transmis vers l'intérieur, tout en maintenant l'air chaud à l'extérieur.

Un réfrigérant liquide traverse une vanne d'expansion et s'écoule dans un tuyau où la pression est basse.

Le réfrigérant s'évapore et se transforme en gaz. Le processus absorbe la chaleur environnante et le tuyau est refroidi.

Un ventilateur souffle l'air froid dans la pièce. Le gaz traverse un compresseur, qui augmente la pression et convertit le gaz en liquide.

Lors de ce processus, la chaleur est libérée, qui est conduit aux tuyaux sur le côté opposé et soufflée par un ventilateur. Un thermostat éteint l'unité lorsque l'air intérieur est assez froid.

1. AVERTISSEMENTS DE SÉCURITÉ



Matériau inflammable. Cet appareil contient du R290/ Propane, un réfrigérant inflammable.



Consultez ce manuel pour les informations de sécurité.



Lire le manuel technique



Lire le manuel de l'opérateur.

INFORMATIONS DE SÉCURITÉ

Avant l'installation et l'utilisation de l'appareil, lire attentivement les instructions fournies. Le fabricant n'est pas responsable en cas de blessures ou de dommages découlant d'une mauvaise installation et une utilisation incorrecte. Toujours conserver les instructions avec l'appareil pour s'y reporter ultérieurement.

Sécurité des enfants et des personnes vulnérables

AVERTISSEMENT



Risque de blessure ou d'invalidité permanente.

Cet appareil peut être utilisé par des enfants à partir de 8 ans et des personnes ayant des capacités physiques, sensorielles ou mentales réduites, ou un manque d'expérience et de connaissances, sous surveillance ou à condition

d'avoir reçu ou des instructions concernant l'utilisation de l'appareil de manière sûre et d'avoir compris les dangers impliqués. Ne pas laisser les enfants jouer avec l'appareil.

Les enfants de moins de 3 ans doivent être tenus à l'écart, à moins d'être surveillés en permanence. Tenir tous les emballages éloignés des enfants.

Le nettoyage et l'entretien ne doivent pas être effectués par des enfants sans surveillance.

Sécurité générale

Cet appareil est destiné à être utilisé dans les applications domestiques et similaires, telles que : Pièce familiale, pièce de vie, cuisine du personnel dans les magasins, bureaux et autres environnements de travail. La plaque signalétique est située sur le côté ou l'arrière du climatiseur. Maintenir les ouvertures de ventilation dégagées.

Ne pas utiliser de dispositifs mécaniques ou d'autres moyens pour accélérer le processus de dégivrage, autres que ceux recommandés par le fabricant. L'appareil ne doit pas être entreposé dans une pièce avec des sources inflammables opérationnelles (par exemple, des flammes nues, un appareil à gaz ou un radiateur électrique). Ne pas percer ni brûler. Tenir compte du fait que les réfrigérants n'ont pas d'odeur. Ne pas utiliser de pulvérisation d'eau ni de vapeur pour nettoyer l'appareil. Nettoyer l'appareil

à l'aide d'un chiffon doux humide. Utiliser uniquement des détergents neutres. Ne pas utiliser de produits abrasifs, de tissus de nettoyage abrasifs, de solvants ou d'objets métalliques.

Si le cordon d'alimentation est endommagé, il doit être remplacé par le fabricant, son centre de service agréé ou des personnes qualifiées du même type pour éviter tout danger.

CONSIGNES DE SÉCURITÉ

Installation

AVERTISSEMENT

Cet appareil ne doit être installé que par une personne qualifiée. Enlever tout l'emballage.

Ne pas installer ni utiliser un appareil endommagé. L'appareil doit être installé, utilisé et entreposé dans une pièce d'une surface de plancher supérieure à 12,5 m². Respecter les instructions d'installation fournies avec l'appareil. Toujours déplacer l'appareil avec précaution car il est lourd. Toujours porter des gants de sécurité. Tenir compte du fait que les réfrigérants n'ont pas d'odeur.

Veiller à ce que l'air puisse circuler autour de l'appareil.

Attendre au moins 4 heures avant de brancher l'appareil à l'alimentation, afin de permettre à l'huile de revenir dans le compresseur.

Ne pas installer l'appareil à proximité de radiateurs ou d'autres sources de chaleur.

Ne pas installer l'appareil exposé à lumière directe du soleil.

Raccordement électrique

AVERTISSEMENT

Risque d'incendie et de choc électrique.

L'appareil doit être raccordé à une prise de terre.

Vérifier que les informations électriques de la plaque signalétique correspondent à l'alimentation électrique. Si ce n'est pas le cas, contacter un électricien. Toujours utiliser une prise antichoc correctement installée.

Ne pas utiliser d'adaptateurs multi-fiches ni de rallonges.

Veiller à ne pas endommager les composants électriques (p. ex. fiche secteur, câble secteur).

Contactez le centre de service agréé ou un électricien pour changer les composants électriques.

Le câble secteur doit rester sous le niveau de la fiche secteur.

Brancher la fiche secteur à la prise secteur uniquement à la fin de l'installation.

Veiller à ce qu'il soit possible d'accéder à la prise de courant après l'installation.

Ne pas tirer sur le câble secteur pour débrancher l'appareil.

Toujours tirer sur la prise secteur.

Utilisation

AVERTISSEMENT

Risque de blessures, de brûlures, de chocs électriques ou d'incendie.

Ne pas changer la spécification de cet appareil.

Veiller à ne pas endommager le circuit de réfrigérant. Il contient du propane (R290), un gaz

naturel ayant un niveau élevé de compatibilité environnementale. Ce gaz est inflammable.

Si le circuit de réfrigérant est endommagé, vérifier qu'il n'y a pas de flammes ni de sources d'inflammation dans la pièce. Ventiler la pièce.

Ne pas placer de produits inflammables ou d'objets imbibés de produits inflammables près de l'appareil ou dessus.

Mise au rebut

AVERTISSEMENT

Risque de blessure.

Débrancher l'appareil de l'alimentation secteur.

Couper le câble secteur et le mettre au rebut.

Le circuit de réfrigérant de cet appareil est sans danger pour la couche d'ozone. Contacter l'autorité municipale pour savoir comment mettre correctement l'appareil au rebut.

Ne pas endommager la partie de l'unité de réfrigération qui se trouve près de l'échangeur de chaleur.

RÉGLAGE DU CLIMATISEUR POUR INSTALLATION

IMPORTANT :

2. Installation

AVANT LA PREMIÈRE UTILISATION

Laissez la machine en position droite pendant 4 heures avant l'utilisation
Sélectionner un emplacement

Important

1. Ce climatiseur peut être déplacé à l'intérieur de manière commode ; maintenez l'unité droite lors de son déplacement. Le climatiseur sera placé sur une surface plate.

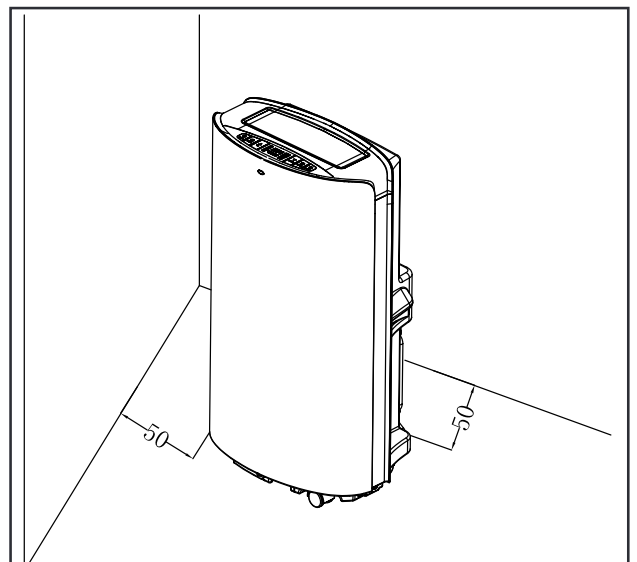
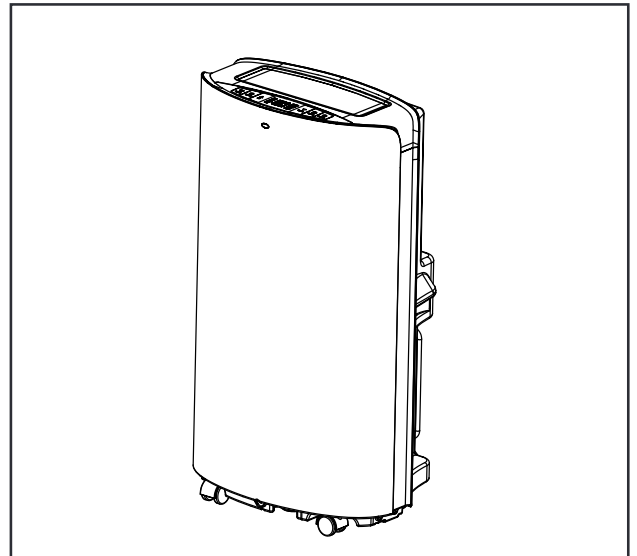
Ne pas installer ou faire fonctionner ce climatiseur dans une salle de bain ou un autre environnement humide.

Étant donné que le climatiseur est sur roues, il est aisé de le changer de place. Lorsque la chaleur augmente, il suffit de déplacer votre climatiseur portable dans la pièce pour refroidir rapidement l'espace. Le climatiseur doit être utilisé dans une pièce fermée pour être le plus efficace possible. Fermez toutes les portes, fenêtres et autres ouvertures à l'extérieur de la pièce. L'efficacité du climatiseur dépend de la température et du niveau d'humidité.

2. Placez le climatiseur dans un endroit qui ne bloque pas le débit d'air à travers l'avant de l'unité.

3. Un climatiseur fonctionnant dans une pièce aura peu ou pas d'effet pour sécher une zone de rangement fermée adjacente, comme une armoire, sauf s'il y a une circulation d'air entrant et sortant adéquate dans la zone. Un climatiseur portable évacue la chaleur de l'unité avec un tuyau de ventilation à travers une fenêtre ou une soupape d'air d'échappement.

4. Il doit y avoir un minimum de 50 cm de distance entre le climatiseur et l'objet le plus proche. Voir image pour référence.



DESCRIPTION DU PRODUIT

3. Description du produit

A

1. Unité de climatiseur principale
2. Télécommande
3. Batteries
4. Manuel de l'utilisateur
5. Connecteur rond
6. Tuyau d'échappement d'air chaud
7. Adaptateur
8. Kit fenêtre

B

1. Vue latérale du climatiseur principal

C

1. Panneau avant
2. Fenêtre de réception de la télécommande
3. Panneau de commande
4. Panneau supérieur
5. Volet horizontal
6. Planche de décoration droite
7. Ensemble de filtre supérieur du panneau arrière
8. Compartiment de la télécommande
9. Planche de décoration gauche
10. Cordon d'alimentation avec fiche
11. Pilier d'enroulement
12. Ensemble de filtre inférieur du panneau arrière
13. Couvercle de vidange
14. Roue universelle
15. Ensemble de filtre du panneau latéral
16. Grille de protection
17. Attache
18. Poignée
19. Connecteur rond du tuyau d'échappement
20. Tuyau d'échappement
21. Adaptateur du tuyau d'échappement
22. Kits fenêtres

D

1. Vue arrière du climatiseur principal

E

1. Sortie d'air
2. Panneau de commande

F

1. Panneau de commande

G

1. Bouton de minuterie
2. Bouton de vitesse
3. Bouton haut
4. Bouton bas
5. Bouton de mode
6. Bouton d'alimentation
7. Indicateur de mode froid
8. Indicateur de mode de déshumidification
9. Indicateur de mode de ventilateur
10. Indicateur de mode de conservation d'énergie
11. Indicateur WiFi
12. Indicateur de fonction d'oscillation automatique
13. Indicateur de fonction de nettoyage automatique
14. Indicateur de réservoir d'eau plein
15. Indicateur de mode de veille
16. Indicateur de vitesse du ventilateur
17. Indicateur de minuterie
18. Heure de l'indicateur de minuterie
19. Indicateur de température

H

1. Comment enlever les filtres

I

1. Tenez la poignée du filtre et tirez-la doucement dans la bonne direction.
2. Nettoyez les particules sales dans le filtre avec un agent nettoyant si nécessaire.
3. Immergez et lavez le filtre doucement dans de l'eau chaude (environ 40 °C) mélangée avec un agent nettoyant neutre, puis rincez et séchez-le complètement à l'ombre.

J

1. Attache
2. Fente
3. Ensemble du tuyau d'échappement

K

1. Boîtier de télécommande
2. Télécommande
3. Direction de maintien de télécommande

L

1. Bouton haut et bas
2. Bouton de vitesse du ventilateur
3. Bouton de minuterie
4. Bouton de veille
5. Fenêtre d'affichage LCD
6. Bouton d'alimentation
7. Bouton de mode
8. Bouton d'oscillation automatique
9. Bouton de nettoyage automatique

M

1. Avant d'utiliser votre télécommande, installez les piles AAA dans la télécommande.

N

1. Couvercle de vidange
2. Tuyau de vidange

O

1. Couvercle de vidange
2. Bouchon de vidange
3. Sortie d'eau

P

1. Étendez une extrémité du tuyau d'échappement, vissez l'extrémité sans fente du connecteur rond dessus dans le sens antihoraire au moins 3 tours.
2. Étendez une autre extrémité du tuyau d'échappement, vissez l'adaptateur dessus dans le sens antihoraire au moins 3 tours.
3. Ensemble du tuyau d'échappement

Q

1. Conservez deux extrémités de plaques de joint de fenêtre pour bien toucher les bords de la fenêtre, afin d'assurer l'effet d'étanchéité.

R

1. Climatiseur prêt à l'utilisation

FONCTION DES MODES DE FONCTIONNEMENT ET DESCRIPTIONS D'INSTALLATION

Installation

Si l'unité a été transportée à l'horizontale, maintenez-la en position droite pendant 4 heures avant de l'utiliser.

Placez l'unité sur une surface plane et solide. N'installez pas l'unité dans une salle de bain ou autres environnements humides. Assurez-vous que le débit d'air n'est pas bloqué, maintenez toujours une distance de 50 cm par rapport aux surfaces environnantes.

INSTALLER LE TUYAU D'ÉCHAPPEMENT

1. Étendez une extrémité du tuyau d'échappement, vissez l'extrémité sans fente du connecteur rond dessus dans le sens antihoraire au moins 3 tours.
2. Étendez une autre extrémité du tuyau d'échappement, vissez l'adaptateur dessus dans le sens antihoraire au moins 3 tours.
3. Étendez le tuyau d'échappement et conduisez-le à l'extérieur à travers une porte ou une fenêtre.

UTILISER LE KIT FENÊTRE

1. Pour utiliser le kit fenêtre, ouvrez la fenêtre et placez le kit fenêtre à l'horizontale ou à la verticale, en fonction de la fenêtre.
2. Ajustez la longueur du kit fenêtre et fixez-le avec les vis.
3. Fermez la fenêtre et fixez l'adaptateur sur le tuyau d'échappement au kit fenêtre.

UTILISER LE KIT FENÊTRE

Avant d'utiliser votre télécommande, installez les piles AAA dans la télécommande.

1. Appuyez et faites glisser le couvercle de batterie au dos de la télécommande, puis vous pouvez enlever le couvercle.
2. Insérez deux nouvelles piles AAA alcalines dans le compartiment à batteries, en respectant la bonne polarité.
3. Remettez le couvercle de la batterie, en veillant à ce que les pattes de verrouillage s'enclenchent correctement.

Utilisez uniquement des batteries alcalines. N'utilisez pas de batteries rechargeables.

Lorsque que vous remplacez des batteries, remplacez toujours les deux batteries par de nouvelles batteries, ne mélangez pas les batteries anciennes et nouvelles.

Si vous ne comptez pas utiliser le climatiseur pendant une longue période, retirez les batteries de la télécommande.

Operating instructions

1. Démarrer l'unité. Appuyez sur le bouton d'ALIMENTATION pour démarrer et arrêter l'unité.
2. Sélectionnez le mode. L'unité possède 4 modes différents : refroidissement, déshumidification, conservation d'énergie et mode ventilateur. Appuyez sur MODE sur le panneau de commande ou la télécommande pour sélectionner le mode.

- Mode de refroidissement : Réglez la température souhaitée avec les flèches sur le panneau de commande ou la télécommande. La température réglée s'affiche à l'écran.
- Déshumidifier En mode déshumidification, le ventilateur fonctionnera uniquement à basse vitesse. La température ne peut pas être réglée.
- Mode ventilateur. Le compresseur s'arrête et seul le ventilateur fonctionne. La température ne peut pas être réglée.
- Mode de conservation d'énergie. Faible consommation d'énergie en mode Conservation d'énergie. Lorsque la température ambiante est plus élevée que la température réglée, l'unité fonctionne en mode refroidissement. Lorsque la température ambiante atteint la température réglée, le compresseur cesse de fonctionner et le ventilateur supérieur cesse également de fonctionner. Au bout de 2 minutes et 30 secondes, le ventilateur supérieur fonctionnera à basse vitesse pendant 30 secondes. Si le compresseur ne démarre pas (c'est-à-dire que la température ambiante est inférieure à la température réglée), le ventilateur supérieur fonctionnera dans ce mode à plusieurs reprises (arrêt pendant 2 minutes 30 secondes / fonctionnement à faible régime pendant 30 secondes).

3. Régler la minuterie

- Pour régler la minuterie sur arrêt, appuyez sur le bouton MINUTERIE lorsque l'unité fonctionne.
- Pour régler la minuterie sur démarrer, appuyez sur le bouton MINUTERIE

lorsque l'unité est éteinte.

Réglez le temps avec les flèches haut et bas sur le panneau de commande ou la télécommande. Lorsque la minuterie est activée, un voyant s'affiche sur le panneau de commande.

4. Régler la vitesse du ventilateur. Appuyez sur le bouton VITESSE sur le panneau de commande pour choisir la vitesse du ventilateur. Sur la télécommande, appuyez sur le bouton VENTILATEUR pour choisir la vitesse du ventilateur.
5. Celsius/Fahrenheit Sur le panneau de commande, appuyez sur les flèches haut et bas en même temps que vous basculez entre Celsius et Fahrenheit.
6. Mode de veille. Utilisez le mode de veille pendant la nuit et l'unité ne perturbera pas votre sommeil. En mode de veille, appuyez sur MINUTERIE et UP simultanément pour passer en mode de veille. Sur la télécommande, appuyez sur le bouton de VEILLE. Appuyez de nouveau pour désactiver.
7. Fonction d'oscillation automatique. Appuyez sur le bouton MINUTERIE et VITESSE en même temps pour activer la fonction d'oscillation. Sur la télécommande, appuyez sur le bouton d'oscillation automatique. Appuyez de nouveau pour désactiver.
8. Fonction de nettoyage automatique. Appuyez sur le bouton de NETTOYAGE AUTOMATIQUE sur la télécommande pour nettoyer l'unité en interne. L'unité nettoiera pendant 3 minutes avant de s'éteindre.

FONCTIONS DE PROTECTION

Dégivrage automatique

L'unité se dégivrera automatiquement lorsque nécessaire. En mode dégivrage, l'écran affiche E4 et aucun bouton n'est actif, hormis le bouton d'ALIMENTATION.

Protection du compresseur

L'unité possède une fonction de protection du compresseur causant un délai du démarrage de 3 minutes, après le démarrage de l'unité.

Alarme de réservoir d'eau plein

Lorsque le réservoir d'eau est plein, l'unité cessera de marcher. Un voyant de

F FONCTION DES MODES DE FONCTIONNEMENT ET DESCRIPTIONS D'INSTALLATION

réservoir d'eau plein s'affiche à l'écran et une alarme sonore est activée. Videz le réservoir d'eau plein et redémarrez l'unité.

Instruction de drainage de l'eau

Videz le réservoir d'eau

Dévissez le couvercle de drainage et enlevez le bouchon d'eau. Videz le réservoir d'eau et rattachiez le bouchon d'eau et le couvercle de drainage.

Remarques :

- Déplacez l'unité soigneusement pour éviter les fuites.
- Inclinez l'unité légèrement vers l'arrière lors du drainage.
- Bloquez le trou de drainage dès que possible avant que le bac ne soit plein, s'il ne peut pas contenir toute l'eau dans l'unité, afin d'éviter des fuites d'eau et de mouiller le sol ou le tapis.
- Le bouchon d'eau et le couvercle de drainage doivent être bien serrés, afin d'éviter que les nouveaux condensats mouillent le sol ou le tapis lorsque l'unité se remet en marche.

Connecter un tuyau d'eau pour un drainage continu

Dévissez le couvercle de drainage et enlevez le bouchon d'eau. Fixez un tuyau d'eau de 13 mm au tuyau sur l'unité. Menez l'autre extrémité du tuyau d'eau à une vidange. Assurez-vous que l'eau peut être vidangée vers le bas.

Remarques :

- Il convient d'installer un tuyau d'eau lorsqu'il n'y a pas d'eau dans le bac.
- Il est suggéré de ne pas utiliser de drainage continu lorsque l'unité est en mode REFROIDISSEMENT, afin d'assurer qu'il y a suffisamment de recyclage d'eau dans l'unité pour augmenter les effets de refroidissement du système.
- Placez le tuyau de vidange dans un lieu accessible, pas plus haut que le trou de drainage et maintenez le tuyau de vidange droit sans flexion.
- Conservez le couvercle de drainage et son bouchon en lieu sûr lorsque le drainage continu est adopté.

Le filtre à air

Le filtre à air empêche la poussière et la saleté de pénétrer dans la machine, ce qui prolonge sa durée de vie. Il est important de nettoyer régulièrement le filtre. Sinon l'unité pourrait être sérieusement endommagée. Par conséquent, nettoyez les filtres au moins une fois toutes les deux semaines.

Nettoyage du filtre

1. Enlevez le filtre.
2. Lavez-le à l'eau tiède avec un produit nettoyant doux. Le filtre peut également être nettoyé à l'aide d'un aspirateur.
3. Laissez sécher le filtre et remettez-le en place.

Installation du filtre

Orientez l'extrémité du filtre vers la fente, puis poussez doucement le filtre dans la fente.

Remarques :

- Veillez à installer le filtre sur le panneau latéral, puis le filtre sur le panneau arrière.
- Installez le filtre dans le sens opposé au retrait.
- Installez le filtre en place doucement, afin d'éviter de l'endommager.

Il est très important de nettoyer régulièrement le filtre ; sinon le climatiseur pourrait perdre de sa capacité et même être sérieusement endommagé.

Instructions de stockage

Stockage de la télécommande

1. Insérez la télécommande dans le compartiment intégré dans le côté gauche de l'unité.
2. Appuyez doucement sur la partie inférieure du compartiment intégré pour l'ouvrir et sortez la télécommande.

Stockage en fin de saison

1. Dévissez le couvercle de vidange et sortez le bouchon pour vider complètement l'eau.
2. Maintenez l'unité en état de marche en mode ventilateur pendant une de-

mi-journée pour sécher complètement l'intérieur de l'unité et l'empêcher de moisir.

3. Éteignez l'unité, tirez le bouchon, puis enroulez le cordon d'alimentation autour de la colonne de bobinage de fil, insérez le bouchon dans le trou de fixation universel au panneau arrière de l'unité, installez le bouchon d'eau et le couvercle de vidange.
4. Retirez l'ensemble du tuyau d'échappement, nettoyez-le et conservez-le en lieu sûr.

Remarques :

- Tenez l'ensemble du tuyau d'échappement à deux mains lors du retrait.
- Poussez les fixations de côté sur la sortie d'air d'échappement avec les pouces, puis sortez l'ensemble du tuyau d'échappement.
- 5. Emballez correctement le climatiseur dans un sac en plastique souple et mettez-le dans un endroit sec en assurant que la poussière ne puisse pas pénétrer dans l'unité et tenez hors de portée des enfants.
- 6. Sortez les batteries de la télécommande et conservez-la en lieu sûr.

Remarque :

- Assurez-vous que l'unité est stockée dans un lieu sec.
- Tous les accessoires de l'unité seront protégés ensemble correctement.

Entretien

Nettoyez le condensateur avec du détergent de nettoyage Wood's. En savoir plus sur la manière de nettoyer votre unité sur woods.se. Nettoyez l'unité avec un chiffon souple humide. N'utilisez pas de solvants ou des produits de nettoyage abrasifs car cela pourrait endommager l'unité.

Révision

Si le climatiseur nécessite un entretien, vous devez d'abord contacter votre revendeur local. Une preuve d'achat vous sera demandée pour toute réclamation sous garantie.

PROBLÈME	CAUSE	SOLUTION
L'unité ne parvient pas à démarrer	Défaillance d'alimentation Le réservoir d'eau est plein et son icône s'allume Température ambiante trop basse ou trop élevée La température de la pièce est inférieure à la température réglée en mode refroidissement ou plus élevée en mode chauffage	Branchez l'unité à une prise de courant sous tension et allumez-la Videz l'eau se trouvant dans l'unité. Il est recommandé d'utiliser cette unité entre 8-35 Changez la température réglée
Mauvais effets de refroidissement	Il n'y a pas de lumière directe du soleil Les portes et les fenêtres sont ouvertes, la pièce est encombrée ou il y a d'autres sources de chaleur Filtre sale Entrée d'air ou sortie d'air bouchée	Fermez le rideau de la fenêtre Fermez la porte et la fenêtre, retirez d'autres sources de chaleur Nettoyez ou remplacez le maillage du filtre Éliminez le blocage
Niveau sonore élevé	L'unité est placée sur une surface irrégulière.	Placez l'unité sur une surface ferme et solide (peut réduire le bruit)
Le compresseur ne fonctionne pas	Initiation de la protection de surchauffe	Attendez que la température diminue, l'unité redémarrera automatiquement
La télécommande ne fonctionne pas	Distance trop longue La télécommande n'a pas visé le récepteur de signaux sur l'unité. Les batteries n'ont pas d'électricité	Amenez la télécommande près du climatiseur et orientez-la vers le récepteur de signaux sur l'unité. Remplacez les batteries
<p>En cas de problèmes avec votre déshumidificateur, veuillez consulter les informations de dépannage ci-dessous. Si aucune des recommandations ne fonctionne, veuillez contacter votre détaillant pour la révision de votre climatiseur.</p>		

Codes d'erreur		
CH01	Défaillance du capteur de température ambiante	Vérifiez le capteur de température ambiante et les circuits associés
CH02	Défaillance du capteur de température du tube	Vérifiez le capteur de température du tube et les circuits associés
E4	Protection antigel	Restaurez les fonctions automatiquement une fois que la protection antigel est terminée.
FL	Le réservoir d'eau dans le châssis est plein	Videz les condensats et redémarrez l'unité

Garanties

Garantie consommateur de 2 ans contre les défauts de production. Veuillez noter que la garantie est uniquement valable en produisant un reçu. La garantie est uniquement valable si le produit est utilisé conformément aux instructions et aux avertissements de sécurité indiqués dans ce manuel. La garantie ne couvre pas les dommages causés par la manipulation inadaptée du produit.

REMARQUE : La garantie de 2 ans est uniquement applicable aux consommateurs et pas à l'utilisation commerciale de l'unité.



REMARQUE !

Inscrivez-vous à www.warranty-woods.com et découvrez comment prolonger la garantie. Veuillez consulter www.woods.se pour de plus amples informations.

Limites conseillées lors de l'utilisation

La meilleure température ambiante de fonctionnement pour le refroidissement est entre 17 et 35 °C. L'unité fonctionne jusqu'à +45 °C. Paramètre de fusible : $\phi 5,0 \times 20\text{mm}$ 3,15 A, 250 VCA.

CARACTÉRISTIQUES TECHNIQUES

	AC Cortina 12K Duo
Capacité de refroidissement	3.520 W
Consommation d'alimentation	1.350 W
Débit d'air :	420m ³ / h
Classe d'énergie	A
Déshumidification	33,6 L / 24h
Réglage de température	17-30°C
Température de fonctionnement	16-45°C
EER	2,6
Longueur du tuyau d'échappement	1,5 m
Diamètre du tuyau d'échappement	15 cm
Gaz réfrigérant	R290/260g
Niveaux sonores en décibels	56dB / 64dB
Poids	33,4 kg
Dimensions en mm, L x B x H	850x471x355

*Des modifications et des améliorations techniques peuvent être apportées. Toutes les valeurs sont approximatives et peuvent varier en raison des circonstances externes telles que la température, la ventilation et l'humidité.



*Ce marquage indique que ce produit ne doit pas être éliminé avec d'autres déchets ménagers dans l'UE. Afin d'éviter qu'une mise au rebut incontrôlée des déchets ne nuise à l'environnement ou à la santé humaine, recyclez l'appareil de manière responsable afin de promouvoir la réutilisation durable des ressources matérielles. Pour retourner votre appareil, veuillez utiliser les systèmes de retour et de collecte ou contacter le détaillant chez lequel le produit a été acheté. Il peut reprendre ce produit pour un recyclage environnemental sûr.

Fonction WiFi

1. Téléchargez et installez l'APP

Téléchargez l'application Woods Connect dans l'App Store ou dans Google Play

1. S'inscrire/Se connecter/Mot de passe oublié

S'inscrire

Si vous n'avez pas de compte pour l'application, créez-en un ou inscrivez-vous avec le code de vérification par SMS.

Cette page décrit le processus d'inscription.

1. Tapez pour accéder à la page d'inscription
2. Le système reconnaît votre pays / zone automatiquement. Vous pouvez également sélectionner votre code pays. Saisissez le numéro de mobile/e-mail et appuyez sur « Suivant ».
3. Si vous saisissez le numéro de mobile, saisissez ensuite le code de vérification dans le message et saisissez le mot de passe, puis appuyez sur « Confirmez » pour terminer votre inscription.
4. Si vous saisissez l'e-mail, saisissez ensuite le mot de passe et appuyez sur « Confirmez » pour terminer votre inscription.

2. Connectez-vous avec votre nom d'utilisateur et votre mot de passe ou votre code de vérification via SMS

Connectez-vous avec votre nom d'utilisateur et votre mot de passe.

1. Le système reconnaît votre pays / zone automatiquement. Vous pouvez également sélectionner votre code pays. Saisissez le numéro de mobile/e-mail et appuyez sur « Suivant ».
2. Saisissez votre numéro de mobile ou e-mail inscrit et votre mot de passe pour vous connecter.

Connectez-vous avec votre code de vérification

1. Touchez « Me connecter par vérification SMS » sur la nouvelle page
2. Le système reconnaît votre pays / zone automatiquement. Vous pouvez également sélectionner votre code pays vous-même.

Mot de passe oublié

Si vous avez oublié votre mot de passe, veuillez suivre les procédures suivantes :

1. Touchez « Mot de passe oublié »
2. Le système reconnaît votre pays / zone automatiquement. Vous pouvez également sélectionner votre code pays vous-même. Saisissez le numéro de mobile/e-mail et appuyez sur « Suivant »
3. Saisissez le code de vérification dans le message/e-mail, puis saisissez le nouveau mot de passe et touchez « Confirmez » pour terminer.

WiFi Woods Connect prend en charge les fonctions ci-dessous :

Marche/Arrêt
 Mode de refroidissement
 Mode déshumidification
 Mode ventilateur
 Mode Éco
 Réglages de température
 Vitesse : Basse, Moyenne et Élevée
 Minuterie : 1-24 h
 Veille : Marche/Arrêt
 Nettoyage automatique : Marche/Arrêt
 Verrouillage : Marche/Arrêt
 Celsius/Fahrenheit
 Oscillation : Marche/Arrêt

3. Suivez les procédures dans l'APP pour profiter du WiFi.

Domotique

Si vous avez un produit Domotique, veuillez effectuer les étapes 1 à 3.

Service d'accès tiers : Touchez sur une icône de service vocal tiers pour voir comment vous connecter au service.

Vous trouvez ces icônes

Smart Home Woods Connect prend en charge les fonctions ci-dessous par commande vocale :

Marche/Arrêt Réglages de température

Pour de plus amples informations, consultez :

<https://woods.se/en/>

WOOD'S VOOR SCHONE EN GEZONDE BINNENLUCHT

Het merk Wood's werd meer dan 65 jaar geleden opgericht door de familie Wood in de Canadese stad Guelph, Ontario. Hier begon Wood's in 1950 met de ontwikkeling en productie van ontvochtigers. Sindsdien heeft Wood's enkele honderdduizenden huishoudens geholpen om schade door schimmel vocht te voorkomen en om schonere lucht in te ademen. Onze verplaatsbare airconditioners zijn geschikt voor gebruik in de meeste klimaten, waar de capaciteit ook bij verschillende temperaturen en vochtigheidsniveaus passend is. Ze worden met goed resultaat gebruikt in panden en ruimtes die heet worden, zoals huiskamers, kantoren of slaapkamers. De hoeveelheid hete lucht die een airconditioner verwijdert hangt af van de temperatuur, vochtigheidsgraad en plaats. Ook externe weersomstandigheden kunnen van invloed zijn op de prestaties van de airconditioner.

Wood's airconditioners zijn veilig te bedienen en bedoeld om jarenlang onafgebroken gebruikt te worden.

HOE WERKT DE AIRCONDITIONER?

Lage druk geeft koude lucht

Het belangrijkste element van de airconditioner is het koelmiddel, dat onder lage druk wordt omgezet in gas. Het proces "creëert koude", dat naar binnen wordt overgebracht, terwijl de warme lucht buiten blijft.

Een vloeibaar koelmiddel gaat door een expansieklep en vervolgens door een leiding waar de druk laag is.

Het koelmiddel verdampt en gaat over in gasvorm. Het proces absorbeert warmte uit de omgeving en de leiding wordt gekoeld. Een ventilator blaast de koude lucht de kamer in.

Het gas gaat door een compressor, die de druk verhoogt en het gas weer omzet naar de vloeistofvorm.

Tijdens dit proces komt warmte vrij, die naar leidingen aan de andere kant wordt geleid en naar buiten wordt geblazen door een ventilator.

Een thermostaat schakelt het apparaat uit wanneer de lucht in de kamer koud genoeg is.

1. VEILIGHEIDSWAARSCHUWINGEN



Ontvlambaar materiaal.
Dit apparaat bevat R290/propan, een ontvlambaar koelmiddel.



Raadpleeg deze handleiding voor veiligheidsinformatie.



Lees de technische handleiding



Lees de gebruikshandleiding.

VEILIGHEIDSINFORMATIE

Lees vóór installatie en gebruik van het apparaat de bijgeleverde handleidingen aandachtig door. De fabrikant is niet verantwoordelijk als onjuiste installatie en gebruik leiden tot letsel en schade. Houd de handleidingen altijd bij het apparaat voor toekomstig gebruik.

Veiligheid kinderen en kwetsbare personen

WAARSCHUWING



Risico op letsel of blijvende invaliditeit.

Dit apparaat kan worden gebruikt door kinderen van 8 jaar en ouder en personen met verminderde lichamelijke, zintuiglijke of mentale vermogens of gebrek aan ervaring en kennis indien zij op een veilige manier begeleid worden of instructie hebben gekregen over

het gebruik van het apparaat en de gevaren begrijpen. Laat kinderen niet met het apparaat spelen.

Kinderen jonger dan 3 jaar moeten van het apparaat weggehouden worden, tenzij zij onder voortdurend toezicht staan. Houd alle verpakkingen uit de buurt van kinderen. Reiniging en gebruikersonderhoud mogen niet door kinderen worden uitgevoerd zonder dat er toezicht is.

Algemene veiligheid

Dit apparaat is bedoeld voor gebruik in huishoudens en soortgelijke toepassingen zoals: zitkamer, woonkamer, personeelskeukens in winkels, kantoren en andere werkomgevingen. Het typeplaatje zit aan de achterzijde of aan de zijkant van de airconditioner. Zorg dat de ventilatieopeningen niet geblokkeerd worden.

Gebruik geen mechanische apparaten of andere middelen om het ontdooiproces te versnellen, anders dan die door de fabrikant aanbevolen.

Het apparaat mag niet worden opgeslagen in een ruimte met werkende ontstekingsbronnen (bijv. open vuur, een gasapparaat in gebruik of een werkende elektrische kachel. Niet doorboren of branden. Let op dat koelmiddelen geen geur mogen bevatten. Gebruik geen waterstraal en stoom om het apparaat schoon te maken. Reinig het apparaat met een vochtige zachte doek. Gebruik alleen neutrale

schoonmaakmiddelen. Gebruik geen schurende producten, schuursponsen, oplosmiddelen of metalen voorwerpen.

Indien het netsnoer beschadigd is, moet het worden vervangen door de fabrikant, een erkend servicecentrum of gelijkwaardig gekwalificeerde personen om problemen te voorkomen.

VEILIGHEIDSINSTRUCTIES

Installatie

WAARSCHUWING

Dit apparaat mag alleen door een gekwalificeerd persoon geïnstalleerd worden.

Verwijder alle verpakkingen.

Installeer of gebruik geen beschadigd apparaat. Het apparaat moet geïnstalleerd, gebruikt en opgeslagen worden in een ruimte met een vloeroppervlak van ten minste 12,5 m². Volg de installatie-instructie die bij het apparaat is meegeleverd.

Wees altijd voorzichtig wanneer u het apparaat verplaatst omdat het zwaar is. Draag altijd veiligheidshandschoenen. Let op dat koelmiddelen geen geur mogen bevatten.

Zorg ervoor dat er lucht rond het toestel kan circuleren.

Wacht minimaal 4 uur voordat u het apparaat aansluit op het net. Dit is om de olie terug te laten stromen naar de compressor.

Installeer het toestel niet vlak bij radiatoren of andere warmtebronnen.

Installeer het toestel niet in direct zonlicht.

Elektrische aansluiting

WAARSCHUWING

Gevaar voor brand en elektrische schokken.

Het apparaat moet op een geaard stopcontact zijn aangesloten.

Zorg dat de elektrische gegevens op het typeplaatje overeenkomen met de netspanning. Is dat niet het geval dan moet u contact opnemen met een elektricien.

Gebruik altijd een correct geïnstalleerd slagvast stopcontact.

Gebruik geen stekkerdozen en verlengkabels.

Zorg ervoor dat u de elektrische componenten niet beschadigt (bijv. stekker, netsnoer).

Neem contact op met het geautoriseerde servicecentrum of een elektricien om de elektrische componenten te vervangen.

Het netsnoer moet lager liggen dan de stekker.

Steek pas aan het einde van de installatie de stekker in het stopcontact.

Controleer of u na de installatie bij de stekker kunt.

Trek niet aan het netsnoer om het apparaat los te koppelen.

Trek altijd aan de stekker.

Gebruik

WAARSCHUWING

Risico op letsel, brandwonden, elektrische schokken of brand.

Wijzig de specificatie van dit toestel niet.

Zorg ervoor dat u het koelcircuit niet beschadigt. Het bevat propaan (R290), een natuurlijk

gas met een grote milieu-compatibiliteit. Dit gas is ontvlambaar.

Als er schade aan het koelcircuit ontstaat moet u ervoor zorgen dat er geen vlammen of andere ontstekingsbronnen in de ruimte zijn. Ventileer de kamer.

Zet geen brandbare producten of voorwerpen die nat zijn van brandbare stoffen in de buurt van of op het apparaat.

Afvoeren

WAARSCHUWING

Risico op letsel.

Koppel het apparaat los van het net.

Knip het netsnoer af en gooi dit weg.

Het koelcircuit van dit apparaat is ozonvriendelijk. Neem contact op met uw gemeentelijke milieustation voor informatie over hoe u het apparaat correct afvoert.

Zorg dat het gedeelte van de koeleenheid dat zich in de buurt van de warmtewisselaar bevindt niet beschadigd raakt.

AIRCONDITIONER VOORBEREIDEN VOOR INSTALLATIE

BELANGRIJK:

2. Installatie

VOOR HET EERSTE GEBRUIK

Laat de machine 4 uur voor gebruik rechtop staan

Een plek selecteren

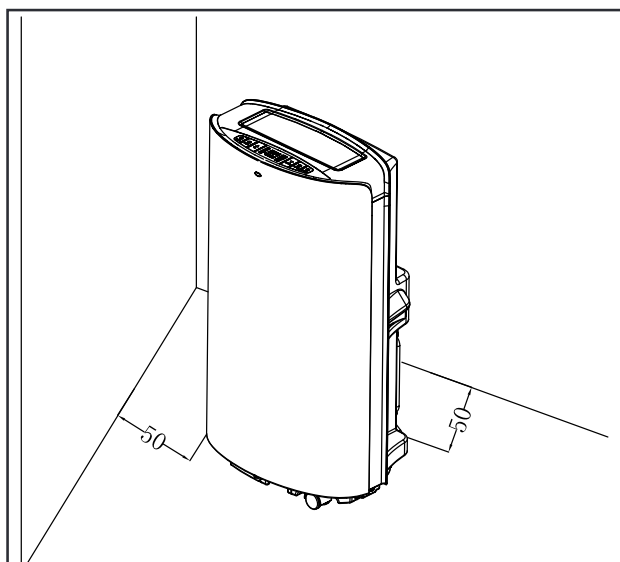
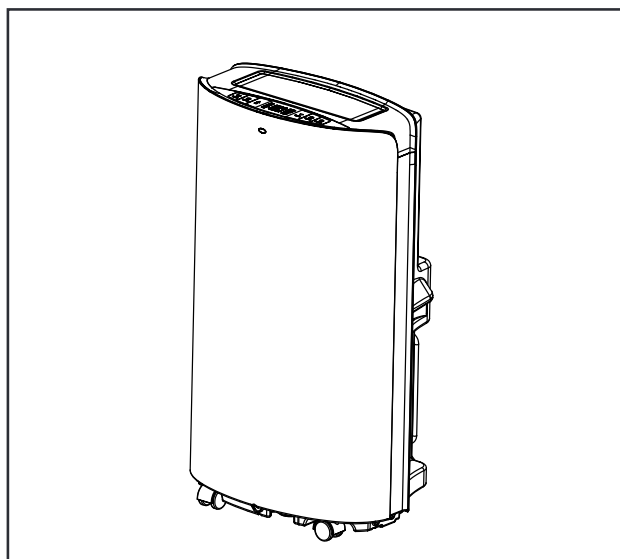
Belangrijk

1. Deze airconditioner kan gemakkelijk binnenshuis verplaatst worden; houd het apparaat rechtop terwijl u het verplaatst. De airconditioner moet op een vlakke ondergrond worden geplaatst. Installeer of bedien deze airconditioner niet in een badkamer of een andere natte omgeving. Omdat een verplaatsbare airconditioner op wielen rust, kan deze gemakkelijk op een andere plek worden geplaatst. Wanneer het warm wordt, verplaatst u eenvoudig de airconditioner naar de kamer en kunt u snel aan de slag met het koelen van de ruimte. De airconditioner moet werken in een afgesloten ruimte voor het beste effect. Sluit alle deuren, ramen en andere openingen naar de kamer. De effectiviteit van de airconditioner is afhankelijk van de temperatuur en vochtigheidsgraad.

2. Plaats de airconditioner op een plek die de luchtstroom door de voorkant van het apparaat niet belemmert.

3. Een airconditioner die werkt in een kamer zal weinig of geen effect hebben op het drogen van een aangrenzende afgesloten opslag ruimte, zoals een kast, tenzij er voldoende luchtcirculatie is in en uit de ruimte. Een verplaatsbare airconditioner voert de warmte van het apparaat af via een ventilatieslang door een raam of afvoerluchtkep.

4. Er moet een minimum afstand van 50 cm zijn tussen de airconditioner en het dichtstbijzijnde object. Zie afbeelding voor verduidelijking.



PRODUCTBESCHRIJVING

3. Productbeschrijving

A

1. Airconditioner
2. Afstandsbediening
3. Batterijen
4. Gebruikershandleiding
5. Ronde connector
6. Heet - luchtafvoerslang
7. Adapter
8. Vensterset

B

1. Zijaanzicht van de airconditioner

C

1. Voorpaneel
2. Ontvangstvenster voor afstandsbediening
3. Bedieningspaneel
4. Bovenpaneel
5. Horizontale grille
6. Rechter decoratiepaneel
7. Bovenste filterdeel van achterpaneel
8. Afstandsbedieningscompartiment
9. Linker decoratiepaneel
10. Netsnoer met stekker
11. Wikkelpaal
12. Onderste filterdeel van het achterpaneel
13. Aftapdeksel
14. Universeel wiel
15. Filterdeel van het zijpaneel
16. Beschermend rooster
17. Bevestiger
18. Draagbeugel
19. Ronde connector van afvoerslang
20. Afvoerslang
21. Adapter voor afvoerslang
22. Venstersets

D

1. Achteraanzicht van de airconditioner

E

1. Luchtuitlaat
2. Bedieningspaneel

F

1. Bedieningspaneel

G

1. Timerknop
2. Snelheidsknop
3. Knop omhoog
4. Knop omlaag
5. Modusknop
6. Aan/uit-knop
7. Indicator voor koelingsmodus
8. Indicator voor ontvochtigingsmodus
9. Indicator voor ventilatormodus
10. Indicator energiebesparingsmodus
11. Wifi-indicator
12. Indicator auto-pendelfunctie
13. Indicator auto-reinigingsfunctie
14. Indicator water vol
15. Indicator slaapstand
16. Indicator ventilatorsnelheid
17. Timerindicator
18. Tijd van timerindicator
19. Temperatuurindicator

H

1. De filters verwijderen

I

1. Pak het filterhandvat vast en trek deze voorzichtig in de juiste richting naar buiten.
2. Verwijder de vuile deeltjes van het filter indien nodig.
3. Dompel de filters onder en was voorzichtig in warm water (ongeveer 40° C) met een neutraal reinigingsmiddel en spoel ze vervolgens grondig af en laat ze in de schaduw drogen.

J

1. Bevestiger
2. Sleuf
3. Luchtafvoerslang

K

1. Afstandsbedieningsbox
2. Afstandsbediening
3. Afstandsbedieningsrichting

L

1. Knop omhoog en omlaag
2. Knop ventilatorsnelheid
3. Timerknop
4. Slaapknop
5. LCD-scherm
6. Aan/uit-knop
7. Modusknop
8. Knop Auto-pendel
9. Knop Auto-reinigen

M

1. Voordat u de afstandsbediening kunt gebruiken moet u eerst de AAA-batterijen in de afstandsbediening plaatsen.

N

1. Aftapdeksel
2. Aftapslang

O

1. Aftapdeksel
2. Aftapplug
3. Water uit

P

1. Verleng één uiteinde van de afvoerslang, schroef het uiteinde zonder sleuf van de ronde connector erop door ten minste drie slagen linksom te draaien.
2. Verleng het andere uiteinde van de afvoerslang, schroef de adapter erop door ten minste drie slagen linksom te draaien.
3. Luchtafvoerslang

Q

1. Zorg dat twee uiteinden van de raamafdichtingsplaten goed aansluiten op de randen van het raam voor een goede afdichting.

R

1. Klaar voor gebruik airconditioner

FUNCTIE VAN DE BEDIENINGSMODI EN INSTALLATIEBESCHRIJVINGEN

Installatie

Als het apparaat horizontaal is vervoerd, laat het dan 4 uur rechtop staan voordat u het in gebruik neemt.

Plaats het apparaat op een vlakke en stevige ondergrond.

Installeer het apparaat niet in badkamers of andere natte omgevingen.

Zorg ervoor dat de luchtstroom niet wordt belemmerd, houd altijd ten minste 50 cm afstand tot de omringende oppervlakken.

LUCHTAFVOERSLANG INSTALLEREN

1. Verleng één uiteinde van de afvoerslang, schroef het uiteinde zonder sleuf van de ronde connector erop door ten minste drie slagen linksom te draaien.
2. Verleng het andere uiteinde van de afvoerslang, schroef de adapter erop door ten minste drie slagen linksom te draaien.
3. Verleng de afvoerslang en leid deze door een deur of raam naar buiten.

DE VENSTERSET GEBRUIKEN

1. Als u de vensterset wilt gebruiken, opent u het raam en plaatst u de vensterset horizontaal of verticaal, afhankelijk van het raam.
2. Pas de lengte van de vensterset aan en bevestig deze met de schroeven.
3. Sluit het raam en bevestig de adapter op de afvoerslang op de vensterset.

DE VENSTERSET GEBRUIKEN

Voordat u de afstandsbediening kunt gebruiken moet u eerst de AAA-batterijen in de afstandsbediening plaatsen.

1. Druk op het batterijdeksel aan de achterzijde van de afstandsbediening en verschuif deze, dan kunt u het deksel verwijderen.
2. Plaats twee nieuwe alkaline AAA-batterijen in het batterijvak en let op de polariteit.
3. Plaats het batterijdeksel terug en zorg ervoor dat het vergrendeltab op zijn plaats klikt.

Gebruik alleen alkaline batterijen. Gebruik geen oplaadbare batterijen. Vervang altijd beide batterijen door nieuwe batterijen, mix geen oude en nieuwe batterijen.

Als de airconditioner gedurende langere tijd niet wordt gebruikt, haal dan de batterijen uit de afstandsbediening.

Gebruiksaanwijzing

1. Het apparaat starten. Druk op de aan/uit-knop om het apparaat te starten en te stoppen.
2. Modus selecteren. De unit heeft 4 verschillende modi: koelen, ontvochtigen, energiebesparen en ventilatormodus. Druk op MODUS op het bedieningspaneel of op de afstandsbediening om de modus te selecteren.

- Koelingsmodus: Stel de gewenste temperatuur in met de pijlen op het bedieningspaneel of de afstandsbediening. De ingestelde temperatuur wordt op het display weergegeven.
- Ontvochtigen. In de ontvochtigingsmodus draait de ventilator alleen op lage snelheid. De temperatuur kan niet worden ingesteld.
- Ventilatormodus. De compressor stopt en alleen de ventilator zal draaien. De temperatuur kan niet worden ingesteld.
- Energiebesparingsmodus. Laag energieverbruik tijdens de Energiebesparingsmodus. Wanneer de omgevingstemperatuur hoger is dan de ingestelde temperatuur, werkt de unit in de koelingsmodus. Wanneer de omgevingstemperatuur de ingestelde temperatuur bereikt, stopt de compressor en stopt ook de bovenste ventilator. Na 2 minuten en 30 seconden gaat de bovenste ventilator gedurende 30 seconden op lage snelheid draaien. Als de compressor niet start (dat wil zeggen, de omgevingstemperatuur is lager dan de ingestelde temperatuur), zal de bovenste ventilator herhaaldelijk in deze sequentie werken (stop gedurende 2 minuten 30 seconden/lage draaisnelheid gedurende 30 seconden).

3. Instellen timer.

- Als u de timer wilt instellen voor uitschakelen, drukt u op de TIMERKNOP wanneer het apparaat werkt.
- Als u de timer wilt instellen voor inschakelen, drukt u op de TIMERKNOP wanneer het apparaat uit staat.

Stel de tijd in met de pijlen omhoog en omlaag op het bedieningspaneel of de afstandsbediening. Wanneer de timer geactiveerd is, brandt er een lampje op het bedieningspaneel.

4. Ventilatorsnelheid instellen. Druk op de SNELHEIDSKNOP op het bedieningspaneel om de ventilatorsnelheid te kiezen. Druk op de afstandsbediening op de ventilatorknop om de ventilatorsnelheid te kiezen.
5. Celsius/Fahrenheit. Op het bedieningspaneel drukt u tegelijkertijd op de pijlen omhoog en omlaag om te wisselen tussen Celsius en Fahrenheit.
6. Slaapstand. Gebruik de slaapstand 's nachts en het apparaat zal uw slaap niet verstoren. Druk in de koelingsmodus tegelijkertijd op de knoppen TIMER en OMHOOG om de slaapstand in te stellen. Druk op de afstandsbediening op de SLAAPKNOP. Druk nogmaals om te uit te schakelen.
7. Auto-pendelfunctie. Druk tegelijkertijd op de knoppen TIMER en SNELHEID om de pendelfunctie te activeren. Druk op de afstandsbediening op de knop Auto-pendel. Druk nogmaals om te uit te schakelen.
8. Auto-reinigingsfunctie. Druk op de knop AUTO-REINIGEN op de afstandsbediening om het apparaat intern schoon te maken. Het apparaat reinigt zich gedurende 3 en gaat dan uit.

BESCHERMINGSFUNCTIES

Automatisch ontdooien

Het apparaat zal automatisch ontdooien wanneer dat nodig is. In de ontdooiingsstand staat er E4 op het display en geen van de knoppen, behalve de AAN/UIT-KNOP, is actief.

Bescherming compressor

De unit heeft als beschermingsfunctie voor de compressor een startvertraging van 3 minuten nadat het apparaat opnieuw is opgestart.

FUNCTIE VAN DE BEDIENINGSMODI EN INSTALLATIEBESCHRIJVINGEN

Alarm water vol

Wanneer het waterreservoir vol is, zal het apparaat stoppen. Een indicatielampje voor water vol brandt op het display en er klinkt een waarschuwingsgeluid. Leeg het waterreservoir en start het apparaat opnieuw op.

Instructie water aftappen

Het waterreservoir legen

Draai het aftapdeksel los en verwijder de waterplug. Leeg het waterreservoir en plaats de waterplug en aftapdeksel terug. Opmerking:

- Beweeg het apparaat voorzichtig om lekkage te voorkomen.
- Kantel het apparaat iets naar achteren tijdens het aftappen.
- Blokkeer het aftapgat zo snel mogelijk voordat het bakje vol is wanneer niet al het water uit het apparaat erin past om zo te voorkomen dat er water lekt en de vloer of het tapijt nat wordt.
- De waterplug en het aftapdeksel moeten goed geplaatst worden zodat nieuw condensaat niet de vloer of het tapijt nat maakt wanneer het apparaat weer gaat werken.

Een waterslang aansluiten voor continu aftappen

Draai het aftapdeksel los en verwijder de waterplug. Bevestig een 13 mm waterslang aan de leiding op het apparaat. Leid het andere uiteinde van de waterslang naar een afvoer. Zorg ervoor dat het water naar beneden weg kan lopen.

Opmerking:

- De aftapslang moet worden geïnstalleerd wanneer er geen water in het bakje is.
- We raden aan om continu aftappen niet te gebruiken wanneer het apparaat in de koelingsmodus wordt gebruikt, om te zorgen dat er voldoende water in het apparaat rondgaat om het koelingseffect te verhogen.
- Plaats de aftapslang op een onbereikbare plaats, niet hoger dan het aftapgat en houd de aftapslang recht zonder enige doorbuiging.

- Bewaar het aftapdeksel en de plug goed wanneer het continue aftappen aangesloten is.

Het luchtfilter

Het luchtfilter voorkomt dat stof en vuil in de machine terechtkomen, wat de verwachte levensduur verlengt. Het is belangrijk dat het filter regelmatig wordt gereinigd, anders kan het apparaat ernstig beschadigd raken. Reinig de filters daarom ten minste eenmaal per twee weken.

Reiniging van het filter

1. Verwijder het filter.
2. Was het met warm water en een mild schoonmaakmiddel. U kunt het filter ook stofzuigen.
3. Laat de filter drogen en zet hem terug.

Filterinstallatie

Richt het einde van het filter naar de sleuf en duw het filter voorzichtig in de sleuf.

Opmerking:

- Zorg ervoor dat u het filter bij het zijpaneel installeert en vervolgens het filter bij het achterpaneel.
- Installeer het filter in de omgekeerde volgorde van het verwijderen.
- Zet het filter voorzichtig op zijn plaats zodat het filter niet beschadigd raakt.

Het is zeer belangrijk dat het filter regelmatig wordt gereinigd, anders kan de airconditioner zijn capaciteit verliezen en zelfs ernstig beschadigd raken.

Bewaarinstructies

Bewaren afstandsbediening

1. Plaats de afstandsbediening in het ingebouwde compartiment aan de linkerkant van de unit.
2. Druk zachtjes op het onderste deel van het compartiment om het te openen en pak de afstandsbediening.

Opslag aan het einde van het seizoen

1. Schroef het aftapdeksel los en trek de plug eruit om het gecondenseerde water volledig af te voeren.

2. Laat het apparaat een halve dag in ventilatormodus draaien om de binnenkant ervan volledig te drogen en zo te voorkomen dat er schimmelvorming optreedt.
3. Schakel het apparaat uit, trek de stekker eruit en wikkel het netsnoer rond de draadwikkelpaal, steek de stekker in het universele bevestigingsgat in het achterpaneel van het apparaat, plaats de waterplug en het aftapdeksel.
4. Verwijder de warmteafvoerslang, reinig deze en bewaar deze op een goede manier.

Opmerking:

- Houd de afvoerslang met beide handen vast tijdens het verwijderen.
- Duw met uw duimen de klemmen op de afvoerslang opzij en trek vervolgens de afvoerslang eruit.
- 5. Verpak de airconditioner goed in een zachte plastic zak en plaats deze op een droge plek met passende stofbestendige maatregelen en houd het apparaat uit de buurt van kinderen.
- 6. Haal de batterijen uit de afstandsbediening en bewaar deze goed.

Opmerking:

- Zorg dat het apparaat op een droge plaats wordt opgeslagen.
- Alle toebehoren van het apparaat moeten goed worden beschermd.

Onderhoud

Reinig de condensor met reinigingsmiddel van Wood's. Lees meer over het schoonmaken van uw apparaat op wood's. Reinig het apparaat met een zachte vochtige doek. Gebruik geen oplosmiddelen of sterke schoonmaakmiddelen omdat deze het oppervlak van het apparaat kunnen beschadigen.

Service

Als de airconditioner onderhoud nodig heeft, moet u eerst contact opnemen met uw lokale leverancier. U heeft een aankoopbewijs nodig voor alle garantieclaims.

PROBLEEM	OORZAAK	ACTIE
De unit start niet	Storing in de stroomvoorziening Water vol en bijhorend pictogram brandt Omgevingstemperatuur te laag of te hoog De kamertemperatuur is lager dan de ingestelde temperatuur in koelingsmodus of hoger dan de ingestelde temperatuur in verwarmingsmodus	Sluit het apparaat aan op een stroomvoerende stopcontact en zet het aan Laat het water dat in het apparaat is opgeslagen, weglopen. Wij raden aan om dit toestel te gebruiken tussen 8-35°C De ingestelde temperatuur wijzigen
Slechte koeling	Er is direct zonlicht De deuren en/of ramen staan open, er zijn veel mensen in de kamer of er zijn andere warmtebronnen Vuil filter Luchtinlaat of luchtafvoer verstopt	Sluit het gordijn Sluit deuren en ramen, verwijder andere warmtebronnen Reinig of vervang het gasfilter Verwijder de obstructie
Veel lawaai	Het apparaat staat op een ongelijk oppervlak.	Plaats het apparaat op een vlakke en stevige ondergrond (kan lawaai reduceren)
De compressor doet het niet	Begin van de oververhittingsbescherming	Wacht tot de temperatuur zakt, het apparaat zal automatisch opnieuw starten
De afstandsbediening werkt niet	Afstand is te groot De afstandsbediening bereikte de signaalontvanger op het apparaat niet. De batterijen zijn leeg	Breng de afstandsbediening dicht bij de airconditioner en zorg ervoor dat deze op de signaalontvanger op het apparaat gericht is. Vervang de batterijen
Als u problemen ondervindt met uw airconditioner, raadpleeg dan de probleemoplossing hieronder. Als niets van het onderstaande werkt, neem dan contact op met uw dealer voor onderhoud van uw airconditioner.		

Foutcodes		
CH01	Storing kamertemperatuursensor	Controleer de kamertemperatuursensor en de bijbehorende circuits
CH02	Storing slangtemperatuursensor	Controleer de slangtemperatuursensor en de bijbehorende circuits
E4	Anti-vries bescherming	Herstel de functies automatisch zodra anti-vriesbeveiliging uitgeschakeld is.
FL	Waterreservoir in het chassis is vol	Tap het condensaat af en start het apparaat opnieuw op

Garanties

2 jaar consumentengarantie tegen productiefouten. Houd er rekening mee dat de garantie alleen geldig is na overleg van de aankoopnota. De garantie is alleen geldig als het product wordt gebruikt in overeenstemming met de instructies en veiligheids waarschuwingen die in deze handleiding staan aangegeven. De garantie dekt geen schade die wordt veroorzaakt door een onjuiste behandeling van het product.

OPMERKING: De 2 jaar garantie geldt alleen voor consumenten en niet voor commercieel gebruik van het apparaat.



LET OP:

Registreer u op www.warranty-woods.com en lees meer over hoe u aanspraak kunt maken op uitgebreide garantie. Ga naar www.woods.se voor meer informatie.

Aanbevolen gebruikslimieten

De beste omgevingstemperatuur voor koelen is 17-35°C. Het apparaat werkt tot +45°C. Zekering: ϕ 5,0x20mm 3,15 A, 250Vac.

TECHNISCHE GEGEVENS	AC Cortina 12K Duo
Koelvermogen	3.520 W
Energieverbruik	1.350 W
Luchtdebiet:	420m ³ / h
Energieklasse	A
Ontvochtigen	33,6 L / 24h
Temperatuurstelling	17-30°C
Bedrijfstemperatuur	16-45°C
EER	2,6
Lengte van luchtafvoerslang	1,5 m
Diameter van de luchtafvoerslang	15 cm
Koelmiddel	R290/260g
Geluidsniveau in decibels	56dB / 64dB
Gewicht	33,4 kg
Afmetingen in mm, L x B x H	850x471x355

* Technische veranderingen en verbeteringen kunnen voorkomen. Alle waarden zijn bij benadering en kunnen variëren als gevolg van externe omstandigheden zoals temperatuur, ventilatie en luchtvochtigheid.



* Deze markering geeft aan dat dit product in de EU niet met andere huishoudelijke afvalstoffen mag worden verwijderd. Om eventuele schade aan het milieu of gezondheid door ongecontroleerde afvalverwijdering te vermijden, moet u het verantwoord recyclen om het duurzame hergebruik van grondstoffen te stimuleren. Als een consument, bij het afdanken van dit product, kunt u contact opnemen met uw handelaar of uw plaatselijke autoriteiten (plaatselijk bestuur, burgemeester enz.) om details te verkrijgen over het recyclen van dit product. Zij kunnen dit product accepteren voor milieuveilig recyclen.

Wifi-functie

1. Download en installeer de APP

De Woods Connect-app downloaden via de App Store of Google Play

1. Registreren/Inloggen/wachtwoord vergeten

Registreren

Als u geen app-account hebt, registreer u dan voor een account of meld u aan met een verificatiecode per SMS.

Op deze pagina wordt het registratieproces beschreven.

1. Tik om de registratiepagina in openen
2. Het systeem herkent automatisch uw land/regio. U kunt ook uw landcode selecteren. Voer het mobiele nummer/e-mailadres in en tik op "Volgende".
3. Als u het mobiele nummer invoert, voer daarna de verificatiecode uit het bericht in en voer het wachtwoord in. Tik op "bevestigen" om uw registratie te voltooien.
4. Als u de e-mail invoert, voert u het wachtwoord in en tikt u op "bevestigen" om uw registratie te voltooien.

2. Inloggen met gebruikersnaam en wachtwoord of verificatiecode via SMS

Inloggen met gebruikersnaam en wachtwoord

1. Het systeem herkent uw land/regio automatisch. U kunt ook uw landcode selecteren. Voer het mobiele nummer/e-mailadres in en tik op "Volgende"
2. Voer uw geregistreerde mobiele nummer of e-mailadres en wachtwoord in om in te loggen.

Aanmelden met verificatiecode

1. Tik op "Inloggen met SMS-verificatie" op nieuwe pagina

2. Het systeem herkent automatisch uw land/regio.

U kunt ook zelf uw landcode selecteren.

Wachtwoord vergeten

Als u uw wachtwoord bent vergeten, volgt u deze procedure:

1. Tik op "Wachtwoord vergeten"
2. het systeem herkent automatisch uw land/regio. U kunt ook zelf uw landcode selecteren. Voer het mobiele nummer/e-mailadres in en tik op "Volgende"
3. Voer de verificatiecode uit het bericht/e-mail in en voer het nieuwe wachtwoord in. Tik op "Bevestigen" om af te ronden.

Wifi Woods Connect ondersteunt de onderstaande functies:

Inschakelen/uitschakelen
 Koelingsmodus
 Ontvocht.modus
 Ventilatormodus
 Eco-modus
 Temperatuurinstellingen
 Snelheid: Laag, medium en hoog
 Timer: 1-24 u
 Slaap: Aan/uit
 Automatisch reinigen: Aan/uit
 Vergrendeling: Aan/uit
 Celsius/Fahrenheit
 Pendel: Aan/uit

3. Volg de procedures in de APP om wifi te gebruiken.

Smart Home

Als u een Smart Home-product hebt, voltooi dan stap 1 tot en met 3.

Toegang door derden: Tik op een spraakpictogram van een derde partij om te zien hoe u verbinding maakt met de service.

U ziet deze pictogrammen

Smart Home Woods Connect ondersteunt de onderstaande functies via spraakopdrachten:

Inschakelen/uitschakelen
 Temperatuurinstellingen

Ga voor meer informatie naar:

<https://woods.se/en/>

WOOD'S – DLA CZYSTEGO I ZDROWEGO POWIETRZA WEWNĘTRZNEGO

Marka Wood's narodziła się w rodzinie Woodów przed ponad 65 laty, w mieście Guelph w kanadyjskim stanie Ontario. Właśnie tam, w 1950 roku, firma Wood's zaczęła projektować i wytwarzać nawilzacze. Od tamtej pory urządzenia marki Wood's pomogły setkom tysięcy gospodarstw domowych uniknąć szkód, jakie mogłaby spowodować pleśniejąca wilgoć, i zadbać o oddychanie czystym powietrzem. Nasze przenośne klimatyzatory nadają się do użytku w większości stref klimatycznych: pracują wydajnie w różnych temperaturach i na różnych poziomach wilgotności otoczenia. Świetnie sprawdzają się w nagrzewających się pomieszczeniach i przestrzeniach, takich jak domowe salony i sypialnie oraz biura. Ilość gorącego powietrza odprowadzanego przez klimatyzator zależy od panującej temperatury oraz wilgotności i od miejsca ustawienia urządzenia. Na działanie klimatyzatora wpływać też mogą zewnętrzne warunki pogodowe.

Klimatyzatory Wood's są bezpieczne i przeznaczone do ciągłego użytkowania przez wiele lat.

JAK DZIAŁA KLIMATYZATOR?

Niskie ciśnienie daje chłodne powietrze. Głównym elementem klimatyzatora jest czynnik chłodniczy, który w warunkach niskiego ciśnienia przeobraża się w gaz. W tym procesie „powstaje chłód”, przekazywany do wnętrza, podczas gdy ciepłe powietrze pozostaje na zewnątrz. Ciekły czynnik chłodniczy przepływa przez zawór rozprężny i do przewodu rurowego, w którym panuje niskie ciśnienie. Czynnik chłodniczy odparowuje i zmienia się w gaz. Proces ten pochłania ciepło z otoczenia – przewód rurowy schładza się. Wentylator nadmuchuje chłodne powietrze do pomieszczenia. Gaz przepływa przez sprężarkę, która podwyższa ciśnienie i przekształca go w ciecz. W tym procesie uwalnia się ciepło, odprowadzane do przewodów rurowych po przeciwległej stronie i wydmykiwane na zewnątrz przez wentylator.

Termostat wyłącza urządzenie z chwilą, gdy temperatura powietrza wewnętrznego spada do odpowiednio niskiego poziomu.

1. OSTRZEŻENIA DOTYCZĄCE BEZPIECZEŃSTWA



Materiał łatwopalny. To urządzenie zawiera R290 / propan, który jest łatwopalnym czynnikiem chłodniczym.



Przeczytaj tę instrukcję, żeby zapoznać się z informacjami dotyczącymi bezpieczeństwa.



Przeczytaj instrukcję techniczną.



Przeczytaj instrukcję obsługi.

INFORMACJE DOTYCZĄCE BEZPIECZEŃSTWA

Przed zainstalowaniem i użytkowaniem urządzenia należy uważnie zapoznać się z dołączoną instrukcją obsługi. Producent nie ponosi odpowiedzialności w razie odniesienia obrażeń bądź powstania szkód na skutek nieprawidłowego montażu lub niewłaściwego użytkowania. Instrukcję obsługi urządzenia przechowuj zawsze razem z urządzeniem, żeby w razie potrzeby móc się do niej odwołać w przyszłości.

Bezpieczeństwo dzieci oraz osób szczególnie podatnych na zagrożenia



OSTRZEŻENIE

Niebezpieczeństwo odniesienia obrażeń i trwałej utraty sprawności. Urządzenie będące przedmiotem

tej instrukcji może być użytkowane przez dzieci w wieku od lat 8 wzwyż, przez osoby o ograniczonej sprawności ruchowej, sensorycznej bądź umysłowej oraz przez osoby niemające odpowiedniego doświadczenia tylko pod warunkiem, że podczas użytkowania pozostają pod nadzorem albo zostały uprzednio poinstruowane w zakresie bezpiecznego użytkowania urządzenia i rozumieją związane z tym zagrożenia. Nie zezwalać dzieciom na zabawę urządzeniem.

Dzieci poniżej 3. roku życia powinny przebywać z dala od urządzenia, chyba że znajdują się pod stałym nadzorem.

Przechowywać wszystkie opakowania z dala od dzieci.

Dzieci nie mogą czyścić ani konserwować urządzenia bez nadzoru.

Bezpieczeństwo ogólne

Urządzenie będące przedmiotem niniejszej instrukcji jest przeznaczone do użytku domowego oraz w podobnych miejscach, takich jak: pokój dzienny, salon, kuchnie i pomieszczenia gospodarcze sklepów, biura oraz inne środowiska pracy. Tabliczka znamionowa znajduje się z boku lub z tyłu klimatyzatora. Otwory wentylacyjne nie mogą być zasłonięte.

Procesu rozmrażania nie należy przyspieszać przy pomocy urządzeń mechanicznych ani żadnych środków innych niż zalecane przez producenta. Urządzenia nie wolno przechowywać w pomieszczeniach, gdzie pracują źródła zapłonu (np. nieosłonięty płomień, działające urządzenie gazowe lub działająca grzałka elektryczna). Nie dziurawić i nie przypalać.

Należy pamiętać, że czynniki chłodnicze mogą być bezzapachowe. Nie czyścić urządzenia rozpyloną wodą ani parą. Czyścić urządzenie wilgotną, miękką ściereczką. Stosować wyłącznie detergenty obojętne. Nie używać substancji ściernych, szorstkich akcesoriów czyszczących, rozpuszczalników ani przedmiotów metalowych. W razie uszkodzenia kabla zasilającego należy go wymienić u producenta, w autoryzowanym punkcie serwisowym albo przy udziale osób o podobnych kwalifikacjach, żeby uniknąć zagrożenia.

INSTRUKCJE BEZPIECZEŃSTWA

Instalowanie OSTRZEŻENIE



Tylko należycie wykwalifikowana osoba może zainstalować urządzenie. Usunąć wszystkie elementy opakowania. Urządzenia uszkodzonego nie instalować ani nie używać. Urządzenie powinno być zainstalowane, obsługiwane i przechowywane w pomieszczeniu o metrażu powyżej 12,5 m². Zastosować się do instrukcji montażu dołączonej do urządzenia. Zawsze należy zachować ostrożność podczas przenoszenia urządzenia, ponieważ jest ciężkie. Zawsze nosić rękawice ochronne. Należy pamiętać, że czynniki chłodnicze mogą być bezzapachowe.

Dopilnować, żeby powietrze mogło krążyć wokół urządzenia. Przed podłączeniem urządzenia do sieci należy odczekać co najmniej 4 godziny. Ma to na celu umożliwienie powrotu oleju do sprężarki. Nie instalować urządzenia w pobliżu grzejników lub innych źródeł ciepła. Nie instalować urządzenia

w miejscach bezpośrednio nasłonecznionych.

Podłączenie elektryczne



OSTRZEŻENIE

Niebezpieczeństwo pożaru i porażenia prądem elektrycznym. Urządzenie musi być podłączone do uziemionego gniazdka. Upewnić się, że informacje elektryczne zamieszczone na tabliczce znamionowej są zgodne z parametrami zasilania. W przeciwnym razie skontaktować się z elektrykiem.

Należy zawsze używać prawidłowo zainstalowanego gniazda odpornego na wstrząsy.

Nie należy używać adapterów i przedłużaczy wielogniazdowych. Uważać, aby nie uszkodzić elementów elektrycznych (np. wtyczki sieciowej, kabla sieciowego).

W celu wymiany części elektrycznych należy skontaktować się z autoryzowanym punktem serwisowym lub elektrykiem. Kabel sieciowy musi znajdować się poniżej poziomu wtyczki sieciowej. Wtyczkę sieciową należy podłączać do gniazda sieciowego dopiero po zakończeniu instalacji.

Po zakończeniu instalacji należy upewnić się, że wtyczka sieciowa jest podłączona do gniazdka.

Nie ciągnąć za kabel sieciowy w celu odłączenia urządzenia. Zawsze ciągnąć za wtyczkę sieciową.

Użytkowanie



OSTRZEŻENIE

Niebezpieczeństwo obrażeń, oparzeń, porażenia prądem elektrycznym lub pożaru.

Nie należy zmieniać specyfikacji urządzenia.

Uważać, aby nie uszkodzić obiegu czynnika chłodniczego. Zawiera on propan (R290), gaz ziemny o wysokim poziomie ekologiczności. Gaz ten jest łatwopalny.

Jeśli obieg czynnika chłodniczego ulegnie uszkodzeniu, należy upewnić się, że w pomieszczeniu nie ma płomieni ani źródeł zapłonu. Przewietrzyć pomieszczenie. Na urządzeniu ani w jego pobliżu nie wolno umieszczać przedmiotów łatwopalnych ani zwilżonych substancjami łatwopalnymi.

Utylizacja



OSTRZEŻENIE

Niebezpieczeństwo odniesienia obrażeń.

Odłączyć urządzenie od zasilania sieciowego.

Odłączyć kabel sieciowy i wyrzucić go.

Obieg czynnika chłodniczego urządzenia jest przyjazny dla warstwy ozonowej. Aby uzyskać informacje na temat prawidłowego wyrzucania urządzenia, skontaktować się z władzami miasta.

Nie wolno dopuścić do uszkodzenia części zespołu chłodzenia urządzenia położonej przy wymienniku ciepła.

KONFIGUROWANIE KLIMATYZATORA DO INSTALACJI

WAŻNE:

2. Instalowanie

PRZED PIERWSZYM UŻYCIEM

Przed użyciem pozostawić urządzenie na 4 godziny stojące pionowo.

Umieszczenie

Ważne

1. Klimatyzator można wygodnie przestawiać po pomieszczeniu. Podczas przenoszenia urządzenia należy trzymać je pionowo. Klimatyzator powinien zostać ustawiony na płaskim podłożu.

Klimatyzatora nie należy ustawiać ani użytkować w łazience ani w innych wilgotnych przestrzeniach.

Przestawianie tego przenośnego klimatyzatora ułatwiają zamontowane w nim kółka. Kiedy robi się za gorąco, po prostu przynosisz przenośny klimatyzator do pomieszczenia i możesz w krótkim czasie zacząć chłodzić przestrzeń.

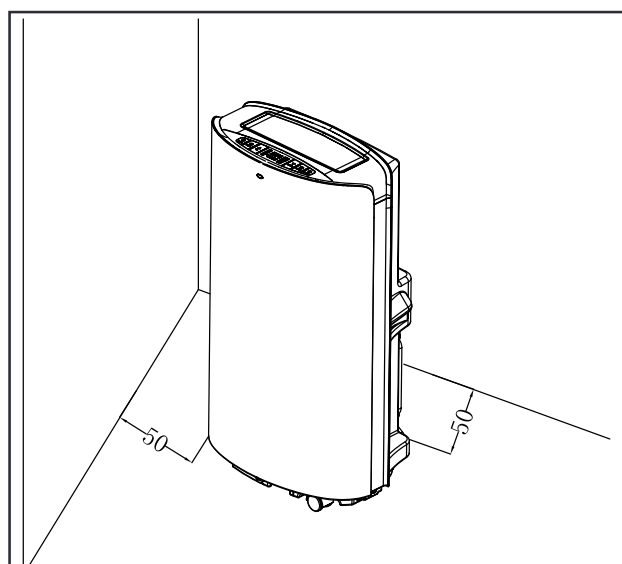
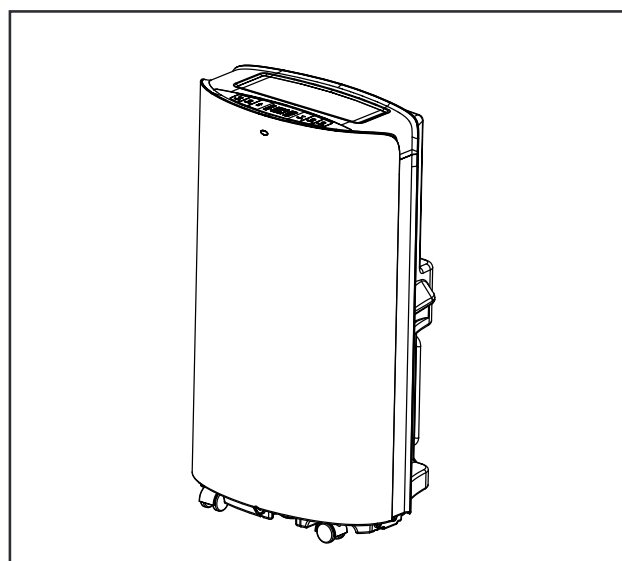
Żeby praca klimatyzatora była możliwie jak najwydajniejsza, musi on pracować w zamkniętej przestrzeni.

Zamknąć wszystkie drzwi, okna oraz inne otwory pomieszczenia na zewnątrz. Na sprawność klimatyzatora wpływa panująca temperatura oraz poziom wilgotności.

2. Ustawić klimatyzator w takim miejscu, gdzie nie będzie hamowany przepływ powietrza przed urządzeniem.

3. Pracujący w pomieszczeniu klimatyzator nie osusza – lub praktycznie nie osusza – sąsiadujących miejsc przechowywania, takich jak szafy, chyba że zapewniona jest odpowiednia cyrkulacja powietrza z oraz do danej przestrzeni. Klimatyzator przenośny odprowadza ciepło z urządzenia przewodem wentylacyjnym przez okno lub przez zawór wywiewu.

4. Odległość między klimatyzatorem a najbliższym położonym obiektem powinna wynosić co najmniej 50 cm; zob. na ilustracji.



OPIS PRODUKTU

3. Opis produktu

A

1. Jednostka główna klimatyzatora
2. Pilot
3. Baterie
4. Instrukcja obsługi
5. Okrągłe złącze
6. Przewód wywiewu powietrza gorącego
7. Łącznik
8. Zestaw okienny

B

1. Widok jednostki głównej klimatyzatora z boku

C

1. Panel przedni
2. Okienko odbiornika pilota
3. Panel sterowniczy
4. Panel górny
5. Żaluzja pozioma
6. Prawa płyta dekoracyjna
7. Zespół filtra górnego panelu tylnego
8. Przegroda pilota
9. Lewa płyta dekoracyjna
10. Kabel zasilający z wtykiem
11. Kolumnienka zwojowa
12. Zespół filtra dolnego panelu tylnego
13. Osłona spustu
14. Pokrętło uniwersalne
15. Zespół filtra panelu bocznego
16. Kratka zabezpieczająca
17. Element mocujący
18. Uchwyt
19. Okrągłe złącze przewodu wywiewu
20. Przewód wywiewu
21. Łącznik przewodu wywiewu
22. Zestawy okienne

D

1. Widok jednostki głównej klimatyzatora z tyłu

E

1. Wylot powietrza
2. Panel sterowniczy

F

1. Panel sterowniczy

G

1. Przycisk regulatora czasowego
2. Przycisk obrotów
3. Przycisk strzałki w górę
4. Przycisk strzałki w dół
5. Przycisk trybu
6. Przycisk zasilania
7. Wskaźnik trybu chłodzenia
8. Wskaźnik trybu osuszania
9. Wskaźnik trybu wentylacji
10. Wskaźnik trybu energooszczędnego
11. Wskaźnik Wi-Fi
12. Wskaźnik funkcji samoczynnego kołysania
13. Wskaźnik funkcji samoczynnego oczyszczania
14. Wskaźnik wypełnienia wodą
15. Wskaźnik trybu wyłączenia samoczynnego
16. Wskaźnik obrotów wentylatora
17. Wskaźnik regulatora czasowego
18. Wskaźnik czasu regulatora czasowego
19. Wskaźnik temperatury

H

1. Wyjmowanie filtrów

I

1. Chwycić za uchwyt filtra i ostrożnie wyciągnąć go we właściwym kierunku.
2. W razie potrzeby usunąć z filtra zanieczyszczenia odkurzaczem.
3. Zanurzyć filtr w ciepłej wodzie (około 40 °C) zmieszanej z naturalnym środkiem czyszczącym i ostrożnie wymyć, po czym wypłukać i pozostawić do całkowitego wyschnięcia w cieniu.

J

1. Element mocujący
2. Szczelina
3. Zespół przewodu wywiewu

K

1. Kostka pilota
2. Pilot
3. Kierunek trzymania pilota

L

1. Przyciski strzałek w górę i w dół
2. Przycisk obrotów wentylatora
3. Przycisk regulatora czasowego
4. Przycisk wyłączenia samoczynnego
5. Okienko wyświetlacza LCD
6. Przycisk zasilania
7. Przycisk trybu
8. Przycisk samoczynnego kołysania
9. Przycisk samoczynnego oczyszczania

M

1. Przed użyciem pilota należy założyć w nim baterie AAA.

N

1. Osłona spustu
2. Przewód spustowy

O

1. Osłona spustu
2. Korek spustu
3. Wylot wody

P

1. Wyciągnąć jeden koniec przewodu wywiewu i przykręcić do niego ten z końców okrągłego złącza, w którym nie ma szczeliny, przekręcając przeciwnie do kierunku ruchu wskazówek zegara o co najmniej 3 obroty.
2. Wyciągnąć drugi koniec przewodu wywiewu i przykręcić do niego łącznik, przekręcając przeciwnie do kierunku ruchu wskazówek zegara o co najmniej 3 obroty.
3. Zespół przewodu wywiewu

Q

1. Dokładnie dopasować końce okiennych płytek uszczelniających, żeby uzyskać skuteczne uszczelnienie.

R

1. Klimatyzator przygotowany do użytku

DZIAŁANIE POSZCZEGÓLNYCH TRYBÓW PRACY ORAZ OPISY INSTALACJI

Instalowanie

Jeżeli urządzenie było transportowane w poziomie, to przed jego użyciem należy pozostawić je na 4 godziny w pozycji pionowej.

Ustawić urządzenie na solidnej, płaskiej powierzchni.

Nie ustawiać urządzenia w łazience ani w innych wilgotnych przestrzeniach. Dopilnować, żeby przepływ powietrza nie był hamowany – dbać o to, żeby odległość od sąsiadujących powierzchni wynosiła zawsze co najmniej 50 cm.

INSTALOWANIE PRZEWODU WYWIEWU

1. Wyciągnąć jeden koniec przewodu wywiewu i przykręcić do niego ten z końców okrągłego złącza, w którym nie ma szczeliny, przekręcając przeciwnie do kierunku ruchu wskazówek zegara o co najmniej 3 obroty.
2. Wyciągnąć drugi koniec przewodu wywiewu i przykręcić do niego łącznik, przekręcając przeciwnie do kierunku ruchu wskazówek zegara o co najmniej 3 obroty.
3. Rozciągnąć przewód wywiewu i poprowadzić go na zewnątrz przez drzwi lub okno.

UŻYCIĘ ZESTAWU OKIENNEGO

1. Aby użyć zestawu okiennego, należy otworzyć okno, po czym ustawić zestaw okienny poziomo lub pionowo, zależnie od okna.
2. Wyregulować długość zestawu okiennego i zamocować go śrubami.
3. Zamknąć okno i przymocować do zestawu okiennego łącznik na przewodzie wywiewu.

UŻYCIĘ ZESTAWU OKIENNEGO

Przed użyciem pilota należy założyć w nim baterie AAA.

1. Wcisnąć i zsunąć pokrywę baterii z tyłu pilota – po tym będzie można ją wyjąć.
2. Założyć dwie nowe alkaliczne baterie AAA w komorze baterii, zwracając przy tym uwagę na prawidłową biegunowość.
3. Z powrotem założyć pokrywę baterii, upewniając się co do zatrzasknięcia jej na swoim miejscu.

Używać wyłącznie baterii alkalicznych. Nie używać akumulatorów.

Przy zmienianiu baterii zawsze wymieniać obydwie baterie na nowe – nie mieszać baterii nowych ze starymi.

Jeżeli przewiduje się nieużywanie klimatyzatora przez dłuższy czas, wyjąć baterie z pilota.

Instrukcje dotyczące użytkowania

1. Uruchamianie urządzenia: Naciskanie przycisku zasilania (POWER) włącza i wyłącza urządzenie.
2. Wybór trybu: Urządzenie oferuje 4 różne tryby pracy: chłodzenie, osuszanie, oszczędność energii oraz wentylację. Naciskanie przycisku trybu (MODE) na panelu sterowniczym lub na pilocie skutkuje przełączeniem trybu.

- Tryb chłodzenia: Ustawić żądaną temperaturę, naciskając przyciski strzałek na panelu sterowniczym lub na pilocie. Nastawa temperatury jest prezentowana na wyświetlaczu.
- Tryb osuszania: W trybie osuszania wentylator pracuje tylko na niskich obrotach. W tym trybie nie można nastawiać temperatury.
- Tryb wentylacji: Sprężarka wyłącza się i pracuje tylko wentylator. W tym trybie nie można nastawiać temperatury.
- Tryb energooszczędny: W trybie energooszczędnym zużycie energii jest obniżone. Kiedy temperatura otoczenia jest wyższa od nastawy, urządzenie pracuje w trybie chłodzenia. Z chwilą, gdy temperatura otoczenia zrównuje się z nastawą, zatrzymuje się sprężarka, a także wentylator górny. Po upływie 2 minut i 30 sekund wentylator górny uruchamia się na niskich obrotach na 30 sekund. Dopóki sprężarka nie uruchamia się z powrotem – tzn. temperatura otoczenia jest niższa od nastawy – wentylator górny powtarza tę sekwencję, tzn. na przemian wyłącza się na 2 minuty i 30 sekund, i włącza się na niskich obrotach na 30 sekund.

3. Nastawianie regulatora czasowego:

- Żeby nastawić wyłączenie regulatorem czasowym, należy nacisnąć przycisk regulatora czasowego (TIMER) w momencie, kiedy urządzenie pracuje.
- Żeby nastawić uruchomienie regulatorem czasowym, należy nacisnąć przycisk TIMER w momencie, kiedy urządzenie jest wyłączone.

Ustawić czas, posługując się przyciskami strzałek w górę i w dół na panelu sterowniczym lub na pilocie. Kiedy regulator czasowy jest załączonym, na panelu sterowniczym świeci powiązana kontrolka.

4. Regulowanie obrotów wentylatora: Żeby wybrać obroty wentylatora z poziomu panelu sterowniczego, należy naciskać przycisk obrotów (SPEED). Żeby wybrać obroty wentylatora przy pomocy pilota, należy naciskać przycisk wentylatora (FAN).
5. Stopnie Celsjusza/Fahrenheita: Wcisnięcie jednocześnie przycisków strzałek w górę i w dół na panelu sterowniczym skutkuje przełączeniem jednostki między stopniami Celsjusza i Fahrenheita.
6. Tryb wyłączenia samoczynnego: Z trybu wyłączenia samoczynnego możesz korzystać np. nocą, żeby praca urządzenia nie zakłócała snu. Żeby uaktywnić samoczynne wyłączenie, kiedy urządzenie pracuje w trybie chłodzenia, należy nacisnąć jednocześnie przyciski TIMER i strzałki w górę. Można też w tym celu nacisnąć przycisk samoczynnego wyłączenia (SLEEP) na pilocie. Nacisnąć jeszcze raz, żeby wyłączyć.
7. Funkcja samoczynnego kołysania: Żeby uaktywnić funkcję kołysania, należy nacisnąć jednocześnie przyciski TIMER i SPEED na panelu sterowniczym. Można też w tym celu nacisnąć przycisk samoczynnego kołysania (AUTO-SWING) na pilocie. Nacisnąć jeszcze raz, żeby wyłączyć.
8. Funkcja samoczynnego oczyszczania: Żeby zapoczątkować w urządzeniu cykl wewnętrznego oczyszczania, należy nacisnąć przycisk samoczynnego oczyszczania (AUTO-CLEAN) na pilocie. Urządzenie będzie wtedy czyściło się przez 3 minuty, po czym zostanie wyłączone.

FUNKCJE OCHRONNE

Samoczynne odszranianie

Urządzenie odszrania się samoczynnie, kiedy jest to konieczne. W trybie odszraniania na wyświetlaczu widnieje kod „E4” i jedynym działającym przyciskiem jest POWER.

Zabezpieczenie sprężarki

Urządzenie ma wbudowane zabezpieczenie sprężarki, którego działanie polega na

DZIAŁANIE POSZCZEGÓLNYCH TRYBÓW PRACY ORAZ OPISY INSTALACJI

opóźnieniu uruchomienia sprężarki o 3 minuty względem włączenia urządzenia.

Alarm wypełnienia wodą

Z chwilą, gdy zbiornik wody ulega wypełnieniu, urządzenie przestaje działać. Na wyświetlaczu widnieje wtedy wskazanie wypełnienia wodą i emitowany jest dźwiękowy sygnał ostrzegawczy. Trzeba wtedy opróżnić zbiornik wody i uruchomić urządzenie ponownie.

Instrukcja spuszczenia wody

Opróżnianie zbiornika wody

Odkręcić osłonę spustu i wyjąć korek wody. Opróżnić zbiornik wody, po czym z powrotem założyć korek wody i osłonę spustu.

Uwagi:

- Urządzenie należy przenosić ostrożnie, żeby uniknąć rozlania wody.
- Przy spuszczeniu wody nieznacznie odchyłać urządzenie w tył.
- Spust zamknąć możliwie prędko, zanim rynienka się wypełni – zwłaszcza jeżeli jest za mała, żeby pomieścić całą zgromadzoną wodę – żeby uniknąć rozlania wody i zamoczenia posadzki lub dywanu.
- Korek wody i osłonę spustu trzeba założyć solidnie, tak żeby nowo gromadzące się skropliny nie moczyły posadzki lub dywanu, kiedy urządzenie będzie znów pracowało.

Podłączanie przewodu wody do spustu ciągłego

Odkręcić osłonę spustu i wyjąć korek wody. Podłączyć przewód wody w rozmiarze 13 mm do przewodu rurowego na urządzeniu. Drugi koniec przewodu wody umieścić w odpływie. Upewnić się, że woda może spływać.

Uwagi:

- Założenie przewodu spustowego musi nastąpić w momencie, kiedy na rynience nie ma wody.
- Nie zaleca się korzystania ze spustu ciągłego, kiedy urządzenie pracuje w trybie chłodzenia (COOL) – wtedy w urządzeniu powinien występować obieg odpowiednio dużej ilości wody, usprawniający chłodzenie.
- Przewód spustowy powinien być doprowadzony do miejsca niedostępnego, położonego nie wyżej niż otwór spustowy, i powinien przebiegać możliwie prosto, bez ostrych zagięć.

- Z chwilą zastosowania spustu ciągłego należy odpowiednio przechować osłonę spustu i korek.

Filtr powietrza

Filtr powietrza zapobiega przedostawaniu się pyłu i kurzu do wnętrza urządzenia, a tym samym zwiększa jego trwałość eksploatacyjną. Ważne jest regularne czyszczenie filtra. W przeciwnym razie urządzenie mogłoby ulec poważnemu uszkodzeniu. W związku z tym filtry należy czyścić nie rzadziej niż raz na dwa tygodnie.

Czyszczenie filtra

1. Wyciągnąć filtr.
2. Umyć go ciepłą wodą i łagodnym środkiem czyszczącym. Można też czyścić filtr odkurzaczem.
3. Pozostawić filtr do wyschnięcia, po czym założyć z powrotem w urządzeniu.

Zakładanie filtra

Skierować końcówkę filtra na szczelinę, po czym ostrożnie wsunąć filtr w szczelinę.

Uwagi:

- Pamiętać o założeniu filtra w panelu bocznym, a następnie w panelu tylnym.
- Zakładanie filtra odbywa się w kierunku przeciwnym do tego, w którym filtr się wyjmuje.
- Filtr zakładać ostrożnie, tak żeby nie doprowadzić do jakiegokolwiek uszkodzenia filtra.

Bardzo ważne jest regularne czyszczenie filtra; w przeciwnym razie mogłoby nastąpić pogorszenie sprawności klimatyzatora, a nawet mogłoby dojść do jego poważnego uszkodzenia.

Instrukcje dotyczące przechowywania

Przechowywanie pilota

1. Wkładać pilot do przewidzianej na ten cel przegrody z lewej strony urządzenia.
2. Żeby wyjąć pilot, należy delikatnie wcisnąć dolną część przegrody w celu jej otworzenia.

Przechowanie z końcem sezonu użytkowego

1. Odkręcić osłonę spustu i wyciągnąć korek, żeby spuścić wszelką skroploną wodę.
2. Pozostawić urządzenie na pół dnia uruchomione w trybie wentylacji, żeby całkowicie osuszyć jego wnętrze i zapobiec jego zapleśnieniu.
3. Wyłączyć urządzenie, następnie wyjąć wtyk i owinąć kabel zasilający wokół kolumnienki zwojowej, po czym wetknąć wtyk w uniwersalne gniazdo na panelu tylnym urządzenia, a także założyć korek wody i osłonę spustu.
4. Rozmontować zespół wywiewu (wyprowadzenia ciepła), oczyścić go i odpowiednio przechować.

Uwaga:

- Przy wyjmowaniu zespołu przewodu wywiewu należy trzymać zespół obiema rękami.
- Zsunąć kciukami elementy mocujące na wylocie powietrza wywiewanego, a następnie wyciągnąć zespół przewodu wywiewu.

5. Zapakować klimatyzator w plastikowy worek i ustawić w suchym miejscu, które jest skutecznie chronione przed pyłem i kurzem, a także niedostępne dla dzieci.
6. Wyjąć baterie z pilota i przechować go w odpowiednim miejscu.

Uwaga:

- Należy dopilnować, żeby urządzenie było przechowywane w suchym miejscu.
- Wszystkie akcesoria do urządzenia należy zabezpieczyć razem w odpowiedni sposób.

Konserwacja

Czyścić skraplacz środkiem czyszczącym firmy Wood's. Więcej informacji o tym, jak czyścić urządzenie, znajdziesz na stronie woods.se. Oczyścić zespół miękką, wilgotną szmatką. Nie używać rozpuszczalników ani silnych środków czyszczących – takie środki mogłyby uszkodzić powierzchnię urządzenia.

Obsługa serwisowa

Gdyby klimatyzator wymagał serwisu, należy skontaktować się z lokalnym detalistą. Przy składaniu roszczenia gwarancyjnego zawsze wymagany jest dowód zakupu.

PROBLEM	PRZYCZYNA	ROZWIĄZANIE
Urządzenie nie uruchamia się.	Awaria zasilania. Wypełnienie wodą, powiązana ikona migocze. Temperatura otoczenia zbyt niska lub zbyt wysoka. Temperatura panująca w pomieszczeniu jest niższa od nastawionej temperatury trybu chłodzenia lub wyższa od nastawionej temperatury trybu ogrzewania.	Podłączyć urządzenie do gniazdka będącego pod napięciem, po czym uruchomić je. Spuścić wodę zgromadzoną w urządzeniu. Zaleca się nastawianie urządzenia na temperatury w przedziale od +8 do +35°C. Zmienić nastawę temperatury.
Chłodzenie jest nieskuteczne.	Na urządzenie bezpośrednio pada światło słoneczne. Drzwi lub okna są otwarte albo w pomieszczeniu przebywa wiele osób lub obecne są inne źródła ciepła. Filtr uległ zabrudzeniu. Wlot lub wylot powietrza jest niedrożny.	Zasłonić okna. Zamknąć drzwi i okna oraz zabrać inne źródła ciepła. Oczyszczyć lub wymienić siatkę filtra. Usunąć niedrożność.
Wysoki poziom hałasu.	Urządzenie stoi na nierównej powierzchni.	Ustawić urządzenie na płaskim i solidnym podłożu – to może obniżyć poziom hałasu.
Sprężarka nie pracuje.	Załączenie zabezpieczenia przeciążeniowego.	Odczekać, aż temperatura spadnie – wtedy urządzenie uruchomi się z powrotem samoczynnie.
Pilot nie działa.	Za duża odległość. Pilot nie został skierowany na odbiornik sygnału urządzenia. Baterie są wyczerpane.	Zbliżyć pilot do klimatyzatora i skierować go na odbiornik sygnału urządzenia. Wymienić baterie.
<p>W razie problemów z osuszaczem należy odwoływać się do poniższych opisów problemów. Gdyby zastosowanie się do żadnej z poniższych wskazówek nie rozwiązało problemu, należy skontaktować się z detalistą w celu poddania klimatyzatora obsłudze serwisowej.</p>		

Kody błędów		
CH01	Usterka czujnika temperatury w pomieszczeniu.	Sprawdzić czujnik temperatury w pomieszczeniu i powiązane obwody.
CH02	Usterka czujnika temperatury w przewodzie rurowym.	Sprawdzić czujnik temperatury w przewodzie rurowym i powiązane obwody.
E4	Zabezpieczenie przed zamrażaniem uaktywnione.	Działanie zostaje przywrócone automatycznie po wyłączeniu zabezpieczenia przed zamrażaniem.
FL	Zbiornik wody w ramie pełny.	Spuścić skropliny i uruchomić urządzenie ponownie.

Gwarancje

2 lata gwarancji konsumenckiej na wady produkcyjne. Należy pamiętać, że gwarancja obowiązuje tylko pod warunkiem okazania dowodu zakupu. Gwarancja obowiązuje tylko w przypadku, gdy produkt jest używany zgodnie z instrukcją i ostrzeżeniami dotyczącymi bezpieczeństwa zawartymi w niniejszej instrukcji. Gwarancja nie obejmuje uszkodzeń spowodowanych niewłaściwą obsługą produktu.

UWAGA: 2-letnia gwarancja dotyczy wyłącznie konsumentów – nie stosuje się ona do komercyjnego użytku urządzenia.



UWAGA!

Dokonaj rejestracji produktu na stronie www.warranty-woods.com – stamtąd też dowiesz się, jak uzyskać gwarancję rozszerzoną. Więcej informacji znajdziesz na stronie www.woods.se.

Zalecane warunki graniczne eksploatacji

Najlepszą temperaturą otoczenia dla chłodzenia jest przedział od +17 do +35°C. Urządzenie pracuje w zakresie temperatur do +45°C. Parametry bezpiecznika: \varnothing 5,0 × 20 mm, 3,15 A, 250 V prądu przemiennego.

DANE TECHNICZNE

	AC Cortina 12K Duo
Moc chłodnicza	3.520 W
Pobór mocy	1.350 W
Przepływ powietrza	420m ³ / h
Klasa energetyczna	A
Osuszanie	33,6 L / 24h
Nastawa temperatury	17-30°C
Temperatura eksploatacji	16-45°C
EER	2,6
Długość przewodu wywiewu	1,5 m
Średnica przewodu wywiewu	15 cm
Gazowy czynnik chłodniczy	R290/260g
Poziom hałasu, w decybelach	56dB / 64dB
Masa	33,4 kg
Wymiary, w milimetrach (dł. × szer. × wys.)	850x471x355

* Mogą nastąpić zmiany i udoskonalenia techniczne. Wszystkie wartości są podane w przybliżeniu i mogą różnić się w zależności od warunków zewnętrznych, takich jak temperatura, wentylacja i wilgotność.



*To oznakowanie wskazuje, że produkt nie powinien być usuwany z innymi odpadami komunalnymi na terenie UE. Dla zapobieżenia ewentualnym szkodom dla środowiska lub zdrowia ludzkiego na skutek niekontrolowanej utylizacji odpadów, urządzenie należy poddać recyklingowi w sposób odpowiedzialny, tak żeby umożliwić ponowne wykorzystanie materiałów. Aby zwrócić urządzenie, należy skorzystać z systemu zwrotu/ odbioru albo skontaktować się ze sprzedawcą, u którego produkt został kupiony. Może on przyjąć ten produkt, aby poddać go bezpiecznemu recyklingowi.

Funkcja Wi-Fi

1. Pobierz i zainstaluj aplikację

Pobranie aplikacji Woods Connect z App Store firmy Apple lub z Google Play

1. Rejestracja / Logowanie / Przypomnienie hasła

Rejestracja

Jeżeli nie masz konta w aplikacji, dokonaj rejestracji albo zaloguj się kodem weryfikacyjnym otrzymanym w SMS-ie.

Na tej stronie opisano proces rejestracji.

1. Kliknij, żeby przejść na stronę rejestracji.
2. System automatycznie rozpozna kraj lub region. Możesz też wybrać kod swojego kraju. Wprowadź swój numer telefonu komórkowego lub adres e-mail, po czym kliknij „Dalej”.
3. Jeżeli podany został numer telefonu komórkowego, wprowadź kod weryfikacyjny z SMS-a oraz hasło, po czym kliknij „Potwierdź”, żeby dokończyć rejestrację.
4. Jeżeli podany został adres e-mail, wprowadź hasło, po czym kliknij „Potwierdź”, żeby dokończyć rejestrację.

2. Zaloguj się nazwą użytkownika i hasłem lub kodem weryfikacyjnym z SMS-a

Logowanie nazwą użytkownika i hasłem

1. System automatycznie rozpozna kraj lub region. Możesz też wybrać kod swojego kraju. Wprowadź swój numer telefonu komórkowego lub adres e-mail, po czym kliknij „Dalej”.
2. Wprowadź zarejestrowany numer telefonu komórkowego lub adres e-mail oraz hasło.

Logowanie kodem weryfikacyjnym
1. Kliknij „Zaloguj się z weryfikacją SMS”. Nastąpi przeniesienie na nową stronę.

2. System automatycznie rozpozna kraj lub region.

Możesz też wybrać kod swojego kraju samodzielnie.

Przypomnienie hasła

Jeżeli nie pamiętasz hasła, wykonaj następujące czynności:

1. Kliknij „Przypomnienie hasła”.
2. System automatycznie rozpozna kraj lub region. Możesz też wybrać kod swojego kraju samodzielnie. Wprowadź swój numer telefonu komórkowego lub adres e-mail, po czym kliknij „Dalej”.
3. Wprowadź kod weryfikacyjny z SMS-a lub maila oraz nowe hasło, po czym kliknij „Potwierdź”, żeby dokończyć odzyskiwanie dostępu.

WiFi Woods Connect obsługuje następujące funkcje:

Włączenie / Wyłączenie zasilania

Tryb chłodzenia
Tryb osuszania
Tryb wentylacji
Tryb ekologiczny
Ustawienia temperatury
Obroty: niskie, średnie i wysokie
Regulator czasowy: 1–24 h
Samoczynne wyłączenie: wł. / wył.
Samoczynne oczyszczanie: wł. / wył.
Blokada: wł. / wył.
Stopnie Celsjusza / Fahrenheita
Koływanie: wł. / wył.

3. Aby uaktywnić sterowanie przez Wi-Fi, postępuj zgodnie z instrukcjami wyświetlanymi w aplikacji.

Smart Home

Jeżeli posiadasz produkt Smart Home, wykonaj czynności od 1 do 3.

Usługa dostępu stron trzecich:

Kliknij ikonę dostępu stron trzecich, aby dowiedzieć się, jak połączyć się z usługą.

Szukaj następujących ikon:

Smart Home Woods Connect obsługuje sterowanie głosowe następującymi funkcjami:

Włączenie / Wyłączenie zasilania Ustawienia temperatury

Więcej informacji znajdziesz na naszej stronie:

<https://woods.se/en/>

WOOD'S PUHDISTAA SISÄILMAN

Wood's tuotemerkin perusti Woodsin perhe yli 65 vuotta sitten Kanadassa, Guelphin kaupungissa Ontariossa. Wood's alkoi kehittää ja valmistaa kosteudenpoistajia vuonna 1950. Wood's on vuosikymmenten ajan auttanut useita satoja tuhansia kotitalouksia estämään kosteus- ja homevaurioita ja puhdistamaan sisäilmaa. Siirrettävät ilmastointilaitteemme soveltuvat käytettäväksi useimmissa ilmastoissa, ja toimintakyky on hyvä eri lämpötiloissa ja kosteustasoilla. Laitteita käytetään hyvin tuloksin tiloissa, joita halutaan viilentää, kuten olohuoneissa, toimistoissa ja makuuhuoneissa. Ilmastointilaitteen poistaman kuumen ilman määrä riippuu lämpötilasta, kosteustasosta ja laitteen sijainnista. Myös ulkoiset sääolosuhteet saattavat vaikuttaa ilmastointilaitteen toimintaan.

Wood'sin ilmastointilaitteita voidaan käyttää turvallisesti ja jatkuvasti useiden vuosien ajan.

MITEN ILMASTOINTILAITE TOIMII?

Matala paine tuottaa viileää ilmaa. Ilmastointilaitteen tärkeä osa on jäähdytysneste, joka muuntuu matalassa paineessa kaasuksi. Prosessi "tuottaa kylmää", joka välitetään sisäänpäin, ja samalla lämmin ilma pidetään ulkona. Nestemäinen kylmäaine kulkee paisuntaventtiilin läpi ja putkeen, jossa on matala paine. Kylmäaine haihtuu ja muuttuu kaasuksi. Prosessi imee lämpöä ympäristöstä ja jäähdyttää putkiston. Puhallin puhalttaa viileää ilmaa huoneeseen. Kaasu kulkee kompressorin läpi, mikä nostaa painetta ja muuntaa kaason nesteiksi. Prosessissa vapautuu lämpöä, joka johdetaan putkiin vastakkaisella puolella ja puhalletaan ulos. Termostaatti sammuttaa laitteen, kun sisäilma on riittävän viileää.

1. TURVALLISUUSVAROITUKSET



Tulenarkaa materiaalia. Laite sisältää R290-propaania, joka on helposti syttyvä kylmäaine.



Katso turvallisuustiedot tästä käsikirjasta.



Lue tekninen käsikirja



Lue käyttäjän käsikirja.

TURVALLISUUSTIEDOT

Lue mukana toimitetut ohjeet huolellisesti ennen laitteen asentamista ja käyttöä. Valmistaja ei ole vastuussa, jos virheellinen asennus ja käyttö aiheuttavat vammoja ja vahinkoja. Säilytä ohjeet aina laitteen kanssa myöhempää käyttöä varten.

Lasten ja toimintakyvyltään heikkojen ihmisten turvallisuus

VAROITUS

Vamman tai pysyvän vamman riski. Vähintään 8-vuotiaat lapset sekä henkilöt, joilla on heikentynyt fyysinen, psyykkinen tai henkinen toimintakyky tai vähän kokemusta tai osaamista, voivat käyttää laitetta, jos heille on annettu ohjeet laitteen turvallisesta käytöstä ja he ymmärtävät käytön riskit. Älä anna lasten leikkiä laitteella.

Alle 3-vuotiaat lapset on pidettävä loitolla laitteesta, ellei heitä valvota jatkuvasti. Säilytä kaikki pakkausmateriaalit poissa lasten ulottuvilta. Lapset eivät saa puhdistaa laitetta tai tehdä ylläpitotoimia ilman valvontaa.

Yleinen turvallisuus

Tämä laite on tarkoitettu kotitalouksiin ja muihin vastaaviin tiloihin, kuten: Olohuoneet, oleskelutilat, henkilökunnan keittiötilat myymälöissä, toimistoissa ja muissa työtiloissa. Arvokilpi sijaitsee ilmastointilaitteen takana tai sivulla. Älä peitä tuuletusaukkoja.

Älä nopeuta sulatusprosessia käyttämällä mekaanisia laitteita tai muita keinoja, paitsi valmistajan suosittelemia. Laitetta ei saa säilyttää huoneessa, jossa on toimivia sytytyslähteitä, esim. avotuli tai käynnissä oleva kaasulaite tai sähkölämmitin. Ei saa puhkaista tai polttaa. Huomaa, että kylmäaineissa ei välttämättä ole tuoksua. Älä puhdista laitetta vesisuihkulla tai -höyryllä. Puhdista laite kostealla pehmeällä liinalla. Käytä vain neutraaleja pesuaineita. Älä käytä hankaavia tuotteita, hankaavia puhdistus tyyynyjä, liuottimia tai metalliesineitä. Jos virtajohto vahingoittuu, valmistajan, sen valtuuttaman huollon tai vastaavan pätevän henkilön on vaihdettava johto vaaran välttämiseksi.

TURVALLISUUSOHJEET

Asennus

VAARA



Laitteen saa asentaa vain pätevä henkilö.

Poista kaikki pakkausmateriaalit.

Älä asenna tai käytä

vahingoittunutta laitetta. Laitteen asennus-, käyttö- ja varastointitilan pinta-alan on oltava suurempi kuin 12,5 m². Noudata laitteen mukana toimitettuja asennusohjeita.

Ole varovainen, kun siirrät laitetta, koska se on raskas. Käytä aina suojakäsineitä. Huomaa, että kylmäaineissa ei välttämättä ole tuoksua.

Varmista, että ilma voi vaihtua laitteen ympärillä.

Odota vähintään 4 tuntia, ennen kuin kytket laitteen virtalähteeseen. Odotusaikana öljy virtaa takaisin kompressoriin.

Älä asenna laitetta

lämpöpattereiden tai muiden lämmönlähteiden lähelle.

Älä asenna laitetta suoraan auringonvaloon.

Sähköliitännät

VAARA



Tulipalon ja sähköiskun vaara.

Laitte on kytkettävä maadoitettuun pistorasiaan.

Varmista, että virtalähde vastaa arvokilven sähkötietoja. Jos ei, ota yhteyttä sähköasentajaan.

Käytä aina oikein asennettua iskunkestävää pistorasiaa.

Älä käytä monen pistorasian jakajia tai jatkojohtoja.

Varmista, ettei mikään aiheuta vaurioita sähkökomponenteille (esim. verkkovirtapistoke, verkkovirtajohto).

Ota yhteyttä valtuutettuun huoltoon tai sähköasentajaan, jos sähkökomponentteihin on tarpeen tehdä muutoksia.

Virtajohtojen tulee olla alempana kuin pistoke.

Kytke verkkovirtapistoke pistorasiaan vasta asennuksen jälkeen.

Varmista, että pistokkeelle on vapaa pääsy asennuksen jälkeen.

Älä irrota virtajohtoa johdosta vetämällä. Vedä aina pistokkeesta.

Käyttö

VAARA



Vamman, palovamman, sähköiskun ja tulipalon vaara.

Älä muuta laitteen teknisiä määrittämiä.

Varo vahingoittamasta kylmäainepiiriä. Se sisältää propaania (R290), luonnollista kylmäainetta, jonka ympäristövaikutukset ovat vähäiset. Kaasu on helposti syttyvää.

Jos kylmäainepiiri vahingoittuu, varmista, että tilassa ei ole avotulta tai sytytyslähteitä. Tuuleta tila. Älä laita tulenarkoja tuotteita tai helposti syttyvällä tuotteella kostutettuja esineitä laitteen lähelle tai päälle.

Hävittäminen

VAARA



Vamman vaara.

Irrota laite verkkovirrasta.

Katkaise virtajohto ja hävitä se.

Laitteen kylmäainepiiri ei vahingoita otsonikerrosta.

Kysy kunnan viranomaisilta ohjeet laitteen asianmukaisesta hävittämisestä.

Älä vahingoita lämmönvaihtimen lähellä olevaa jäähdytysyksikön osaa.

ILMASTOINTILAITTEEN VALMISTELU ASENNUSTA VARTEN

TÄRKEÄÄ:

2. Asennus

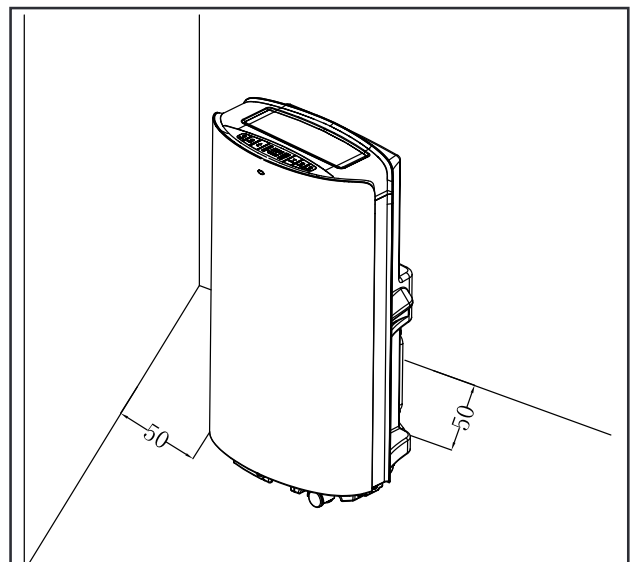
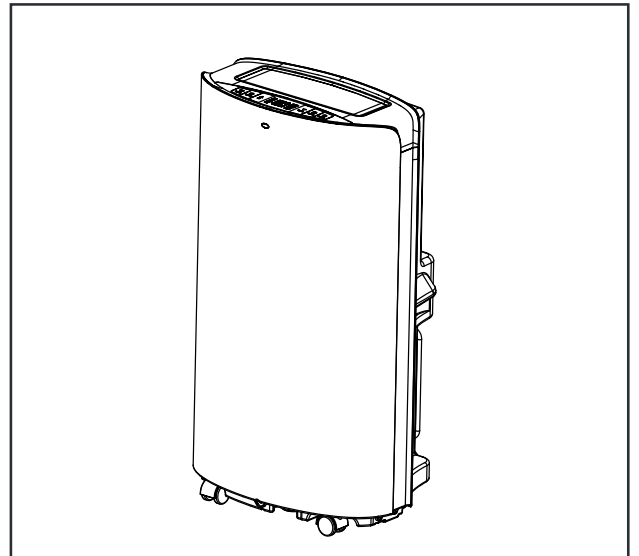
ENNEN ENSIMMÄISTÄ KÄYTTÖÄ

Anna laitteen olla pystyasennossa 4 tuntia ennen käyttöä

Paikan valinta

Tärkeää

1. Ilmastointilaitetta on kätevä siirtää sisätiloissa pystyasennossa. Ilmastointilaitte on sijoitettava tasaiselle alustalle.
Älä asenna ilmastointilaitetta kylpyhuoneeseen tai muihin märkätiloihin.
Ilmastointilaitetta on helppo siirtää pyörien ansiosta. Kun on liian kuumaa, voit helposti viedä siirrettävän ilmastointilaitteen tilaa ja saada sen nopeasti viileämmäksi. Ilmastointilaitte toimii parhaiten suljetussa tilassa.
Sulje kaikki ovet, ikkunat ja muut ulkotilaan vievät aukot. Ilmastointilaitteen teho riippuu lämpötilasta ja kosteustasosta.
2. Sijoita ilmastointilaitte paikkaan, jossa ilma voi virrata vapaasti laitteen etupuolella.
3. Kun ilmastointilaitetta käytetään huoneessa, se ei juurikaan vaikuta tilassa oleviin suljettuihin säilytystiloihin, esim. komeroihin, ellei kyseisessä tilassa ole riittävää ilmanvaihtoa sisään ja ulos. Siirrettävä ilmastointilaitte poistaa kuumaa ilmaa ikkunasta vietävällä letkulla tai poistoilmaventtiin kautta.
4. Ilmastointilaitte on sijoitettava vähintään 50 cm:n päähän lähimmästä kohteesta. Katso kuva.



TUOTTEEN KUVAUS

3. Tuotteen kuvaus

A

1. Ilmastointilaitteen pääyksikkö
2. Kaukosäädin
3. Paristot
4. Käyttöohje
5. Pyöreä liitin
6. Kuuman ilman poistoletku
7. Sovitin
8. Ikkunasarja

B

1. Ilmastointilaitteen pääyksikkö sivulta

C

1. Etupaneeli
2. Kaukosäätimen vastaanottoikkuna
3. Ohjauspaneeli
4. Yläpaneeli
5. Vaakasuora säle
6. Oikea peitelista
7. Takapaneelin ylempi suodatinkokoonpano
8. Kauko-ohjaimen kotelo
9. Vasen peitelista
10. Virtajohto ja pistoke
11. Virtajohdon pidike
12. Takapaneelin alempi suodatinkokoonpano
13. Vedenpoistoaukon suojus
14. Yleismallinen pyörä
15. Sivupaneelin suodatinkokoonpano
16. Suojaverkko
17. Kiinnike
18. Kahva
19. Pyöreä poistoputken liitin
20. Poistoletku
21. Poistoputken sovitin
22. Ikkunasarjat

D

1. Ilmastointilaitteen pääyksikkö takaa

E

1. Ilman poistoaukko
2. Ohjauspaneeli

F

1. Ohjauspaneeli

G

1. Ajastin (Timer)
2. Nopeus (Speed)
3. Ylös (Up)
4. Alas (Down)
5. Tila (Mode)
6. Virta (Power)
7. Viilennystilan ilmainen
8. Kuivaustilan ilmainen
9. Puhaltimen tilan ilmainen
10. Energiansäästötilan ilmainen
11. WiFi
12. Automaattisen käännön ilmainen
13. Automaattisen puhdistuksen ilmainen
14. Vesisäiliö täynnä -ilmainen
15. Lepotilan ilmainen
16. Puhaltimen nopeuden ilmainen
17. Ajastimen ilmainen
18. Ajastimen ajan ilmainen
19. Lämpötilan ilmainen

H

1. Suodattimien poistaminen

I

1. Tartu suodattimen kahvaan ja vedä sitä varovasti oikeaan suuntaan.
2. Puhdista hiukkaset suodattimesta tarvittaessa.
3. Upota suodatin varovasti lämpimään veteen (noin 40 °C), jossa on neutraalia pesuainetta. Pese ja huuhtelee suodatin, ja anna sen kuivua varjossa.

J

1. Kiinnike
2. Rako
3. Poistoputkikokoonpano

K

1. Kaukosäätimen säilytyslokero
2. Kaukosäädin
3. Kaukosäätimen pitelysuunta

L

1. Ylös- ja alas-painikkeet
2. Puhaltimen nopeus (Fan)
3. Ajastin (Timer)
4. Lepotila (Sleep)
5. LCD-näyttö
6. Virta (Power)
7. Tila (Mode)
8. Automaattinen kääntäminen (Auto-Swing)
9. Automaattinen puhdistus (Auto-Clean)

M

1. Ennen kuin käytät kaukosäädintä, asenna siihen AAA-paristot.

N

1. Vedenpoistoaukon suojus
2. Poistoletku

O

1. Vedenpoistoaukon suojus
2. Tulppa
3. Vedenpoistoaukko

P

1. Ota kiinni poistoputkesta ja kierrä pyöreän liittimen raoton pää poistoputkeen vähintään kolme kierrosta vastapäivään.
2. Pidä kiinni poistoputkesta ja kierrä sovitin poistoputkeen vähintään kolme kierrosta vastapäivään.
3. Poistoputkikokoonpano

Q

1. Varmista tiiviys sovittamalla ikkunan tiivistelevyt niin, että ne ovat ikkunan puitteiden mukaiset.

R

1. Käyttövalmis ilmastointilaitte

TOIMINTATILOJEN JA ASENNUKSEN KUVAUS

Asennus

Jos laitetta on kuljetettu vaakasuunnassa, anna sen olla pystyasennossa 4 tuntia ennen käyttämistä.

Aseta laite tasaiselle ja kiinteälle alustalle. Älä asenna yksikköä kylpyhuoneeseen tai muihin märkätiloihin.

Varmista, että ilma voi virrata vapaasti ja pidä laite aina vähintään 50 cm:n etäisyydellä ympäröivistä pinnoista.

POISTOLETKUN ASENTAMINEN

- Ota kiinni poistoputkesta ja kierrä pyöreän liittimen raoton pää poistoputkeen vähintään kolme kierrosta vastapäivään.
- Pidä kiinni poistoputkesta ja kierrä sovitin poistoputkeen vähintään kolme kierrosta vastapäivään.
- Suorista poistoletku ja vie se ulos ovesta tai ikkunasta.

IKKUNASARJAN KÄYTTÄMINEN

- Jos haluat käyttää ikkunasarjaa, avaa ikkuna ja aseta ikkunasarja joko vaakatai pystyasentoon ikkunan mukaan.
- Säädä ikkunasarjan pituutta ja kiinnitä se ruuveilla.
- Sulje ikkuna ja kiinnitä poistoletkun sovitin ikkunasarjaan.

IKKUNASARJAN KÄYTTÄMINEN

Ennen kuin käytät kaukosäädintä, asenna siihen AAA-paristot.

- Paina ja liu'uta irti kaukosäätimen takana olevan paristolokeron kansi.
- Laita kaksi uutta AAA-alkaliparistoa paristolokeroon. Ota napaisuus huomioon.
- Laita paristolokeron kansi paikalleen ja varmista, että lukituskieleke napsahtaa paikalleen.

Käytä vain alkaliparistoja. Älä käytä ladattavia akkuja.

Kun vaihdat paristot, vaihda aina molemmat paristot uusiin. Älä sekoita uusia ja vanhoja paristoja.

Jos ilmastointilaitetta ei käytetä pitkään aikaan, ota paristot pois kaukosäätimestä.

Käyttöohjeet

1. Laitteen käynnistäminen. Käynnistä ja pysäytä laite painamalla virtapainiketta (POWER).

2. Tilan valinta Laitteessa on 4 tilaa: viilennys, kuivaus, energiansäästö ja puhallus. Valitse tila painamalla ohjauspaneelin tai kaukosäätimen MODE-painiketta.

- Viilennystila: Aseta haluttu lämpötila ohjauspaneelin tai kaukosäätimen nuolien avulla. Asetettu lämpötila näkyy näytöllä.
- Kosteudenpoisto: Kosteudenpoistotilassa puhallin toimii vain alhaisella nopeudella. Lämpötilaa ei voi asettaa.
- Puhallustila: Kompessori pysähtyy ja pelkkä puhallin toimii. Lämpötilaa ei voi asettaa.
- Energiansäästö: Energiansäästöttilassa laite kuluttaa vähemmän energiaa. Kun ympäristön lämpötila on korkeampi kuin asetettu lämpötila, laite toimii viilennystilassa. Kun ympäristön lämpötila saavuttaa asetetun lämpötilan, kompressorin ja ylempi puhallin pysähtyvät. 2 minuutin ja 30 sekunnin kuluttua ylempi puhallin käy alhaisella nopeudella 30 sekuntia. Jos kompressorin ei käynnisty (eli ympäristön lämpötila on matalampi kuin asetettu lämpötila), ylempi puhallin jatkaa toimintaa tässä tilassa (2 minuutin ja 30 sekunnin pysähdys/alhainen puhaltimen nopeus 30 sekuntia).

3. Ajastimen asettaminen.

- Jos haluat asettaa laitteen sammutusajan, paina TIMER-painiketta, kun laite on käynnissä.
- Jos haluat asettaa laitteen käynnistysajan, paina TIMER-painiketta, kun laite on pois päältä.

Aseta aika ohjauspaneelin tai kaukosäätimen ylös- ja alas-painikkeilla. Kun ajastin on aktivoitu, ohjauspaneelissa palaa merkkivalo.

4. Puhaltimen nopeusasetus. Valitse puhaltimen nopeus painamalla ohjauspaneelin SPEED-painiketta. Valitse puhaltimen nopeus kaukosäätimen FAN-painikkeesta.

5. Celsius/Fahrenheit: Valitse Celsius- tai Fahrenheit-asteikko painamalla ohjauspaneelin ylös- ja alas-painikkeita yhtä aikaa.

6. Lepotila. Käytä yöllä lepotilaa, niin laite ei häiritse unta. Aseta lepotila painamalla TIMER- ja UP-painikkeita yhtä aikaa viilennystilassa. Paina kaukosäätimen SLEEP-painiketta. Poista tilan aktivointi painamalla uudelleen.

7. Automaattinen kääntötoiminto. Aktivoi kääntötoiminto painamalla TIMER- ja SPEED-painikkeita samanaikaisesti. Paina kaukosäätimen Auto-swing-painiketta. Poista tilan aktivointi painamalla uudelleen.

8. Automaattinen puhdistustoiminto. Puhdista laite sisäisesti painamalla kaukosäätimen AUTO-CLEAN-painiketta. Laite puhdistuu 3 minuuttia ja sammuu.

SUOJAUSTOIMINNOT

Automaattinen sulatus

Laite sulattaa automaattisesti tarvittaessa. Sulatustilassa näytössä näkyy E4, ja vain virtapainike on aktiivinen.

Kompressorin suojaustoiminto

Laitteessa on kompressorin suojaustoiminto, joka käynnistää laitteen 3 minuutin viiveellä, kun laite käynnistetään uudelleen.

Vesisäiliö täynnä -hälytys

Kun vesisäiliö on täynnä, laite lakkaa toimimasta. Näytöllä näkyy täyden säiliön merkkivalo ja varoitusääni kuuluu. Tyhjennä vesisäiliö ja käynnistä laite uudelleen.

TOIMINTATILOJEN JA ASENNUKSEN KUVAUS

Vedenpoisto-ohjeet

Vesisäiliön tyhjentäminen

Kierrä irti vedenpoistoaukon suojus ja irrota tulppa. Tyhjennä vesisäiliö ja aseta tulppa ja suojus paikoilleen.

Huomaa:

- Siirrä yksikköä varovasti, niin vettä ei vuoda lattialle.
- Kallista laitetta hieman taaksepäin tyhjentämisen aikana.
- Laita tulppa aukkoon ennen kuin astia täyttyy, jos kaikki laitteessa oleva vesi ei mahdu siihen. Näin vältät maton tai lattian kastumisen.
- Tulppa ja suojus on asennettava tiiviisti, jotta tiivistyvä vesi ei kastele lattiaa tai mattoa, kun laite alkaa taas toimia.

Vesiletkun liittäminen jatkuvaa vedenpoistoa varten

Kierrä irti vedenpoistoaukon suojus ja irrota tulppa. Kiinnitä laitteen putkeen 13 mm:n vesi letku. Johda vesiletkun toinen pää viemäriin. Varmista, että vesi pääsee valumaan alaspäin.

Huomaa:

- Poistoletku on asennettava, kun säiliössä ei ole vettä.
- Jatkuvaa vedenpoistoa ei kannata käyttää VIILENNYS-tilassa, jotta laitteessa kiertäisi riittävästi vettä jäähdytysvaikutuksen tukemiseen.
- Laita poistoletku suojaan paikkaan vedenpoistoaukon alapuolelle niin, että poistoletku pysyy suorassa eikä taivu.
- Säilytä vedenpoistoaukon suojus ja tulppa, jos jatkuva tyhjennys otetaan käyttöön.

Ilmansuodatin

Ilmansuodatin estää pölyn ja lian pääsyn laitteeseen ja pidentää sen käyttöikä. On tärkeää, että suodatin puhdistetaan säännöllisesti. Muutoin laite voi vaurioitua vakavasti. Puhdista suodattimet vähintään kerran kahdessa viikossa.

Suodattimen puhdistus

1. Poista suodatin.
2. Pese se lämpimällä vedellä ja miedolla pesuaineella. Suodattimen voi puhdistaa myös imurilla.
3. Anna suodattimen kuivua ja laita se takaisin.

Suodattimen asentaminen

Kohdista suodattimen pää rakoon ja työnnä suodatin varovasti paikalleen.

Huomaa:

- Asenna ensin suodatin sivupaneeliin ja sen jälkeen takapaneeliin.
- Asenna suodatin vastakkaiseen suuntaan kuin poistettaessa.
- Asenna suodatin varovasti, jotta suodatin ei vahingoitu.

Suodattimen säännöllinen vaihtaminen on erittäin tärkeää. Muutoin ilmastointilaitteen teho laskee ja laite voi vahingoittua vakavasti.

Säilytysohjeet

Kaukosäätimen säilytys

1. Laita kaukosäädin laitteen vasemmalla puolella olevaan lokeroon.
2. Avaa kotelo painamalla varovasti lokeron kannen alaosaa, ja ota kaukosäädin pois.

Varastointi käyttökauden lopussa

1. Kierrä vedenpoistoaukon suojus irti, irrota tulppa ja anna kondenssiveden tyhjentyä kokonaan.
2. Pidä yksikkö käynnissä tuuletintilassa puoli päivää, jolloin laite kuivuu sisältä eikä homehdu säilytyksen aikana.
3. Sammuta laite, irrota pistoke ja kääri virtajohto kiinnikkeen ympärille. Työnnä pistoke yleismalliseen pistokkeen suojukseen laitteen takapaneelissa. Asenna tulppa ja vedenpoistoaukon suojus.

4. Irrota lämmön poistoputkikokoonpano, puhdista se ja säilytä asianmukaisesti.

Huomaa:

- Ota kiinni poistoputkikokoonpanosta molemmin käsin, kun irrotat sen.
- Työnnä ilman poistoaukon sivulla olevia kiinnikkeitä peukaloilla sivulle, ja vedä poistoputkikokoonpano irti.

5. Pakkaa ilmastointilaitte pehmeään muovipussiin ja säilytä sitä kuivassa paikassa, joka on riittävästi suojattu pölyltä. Säilytä laitetta poissa lasten ulottuvilta.

6. Ota paristot pois kaukosäätimestä ja säilytä sitä asianmukaisesti.

Huomaa:

- Varmista, että laitteen varastotila on kuiva.
- Kaikki laitteen lisävarusteet tulee säilyttää samassa paikassa asianmukaisesti suojattuina.

Kunnossapito

Puhdista kondensaattori Wood'sin puhdistusaineella. Lue lisää laitteen puhdistamisesta osoitteesta woods.se Puhdista laite pehmeällä kostealla liinalla. Älä käytä liuottimia tai voimakkaita puhdistusaineita, sillä ne saattavat vaurioittaa laitteen pintaa.

Huolto

Jos ilmastointilaitte on huollettava, ota ensin yhteyttä paikalliseen jälleenmyyjään. Kaikki takuuvaatimukset edellyttävät ostotodistusta.

ONGELMA	SYY	RATKAISU
Laite ei käynnisty	Virtalähteen vika Vesisäiliö on täysi ja sen kuvake palaa Ympäristön lämpötila liian matala tai korkea Huoneen lämpötila on pienempi kuin asetettu lämpötila viilennystilassa tai korkeampi kuin lämmitystilassa	Liitä laite toimivaan pistorasiaan ja kytke päälle. Tyhjennä laitteeseen kertynyt vesi. Laitteen suositeltu käyttölämpötila on 8–35 astetta. Muuta lämpötila-asetusta
Viilennys ei toimi kunnolla	Aurinko lämmittää tilaa suoraan Ovet ja ikkunat ovat auki, huoneessa on paljon ihmisiä tai huoneessa on muita lämmönlähteitä Likainen suodatin Ilman ottoaukko tai ilman poistoaukko tukossa	Sulje verhot Sulje ovi ja ikkuna, poista muut lämmönlähteet Puhdista tai vaihda suodatinverkko Poista tukos
Korkea melutaso	Laite on sijoitettu epätasaiselle pinnalle.	Aseta laite tasaiselle ja kiinteälle alustalle (voi vähentää melua)
Kompressor ei toimi	Ylikuumenemisen suoja on aktivoitunut.	Odota, kunnes lämpötila laskee, niin laite käynnistyy uudelleen automaattisesti
Kaukosäädin ei toimi	Liian pitkä välimatka Kaukosäädin ei tähtää signaalin vastaanottimeen laitteessa. Paristoissa ei ole virtaa	Tuo kaukosäädin lähemmäs ilmastointilaitetta ja kohdista se signaalin vastaanottimeen. Vaihda paristot
<p>Jos laitteen kanssa on ongelmia, katso alla oleva vianetsintätaulukko. Jos mikään alla olevista ratkaisuksista ei toimi, ota yhteyttä jälleenmyyjään ilmastointilaitteen huoltoa varten.</p>		

Virhekoodit		
CH01	Huoneen lämpötila-anturin vika	Tarkista lämpötila-anturi ja siihen liittyvät piirit
CH02	Letkun lämpötila-anturin vika	Tarkista letkun lämpötila-anturi ja siihen liittyvät piirit
E4	Jäätymisen suojaustoiminto	Toiminnot palautuvat automaattisesti, kun jäätymisen suojaustoiminto päättyy.
FL	Kotelon sisällä oleva vesisäiliö on täynnä	Tyhjennä kondenssivesi ja käynnistä laite uudelleen

Takuu

Kuluttajan takuu on kaksi vuotta tuotantovikojen osalta. Huomaathan, että takuu on voimassa kuittia vastaan. Takuu on voimassa vain, jos tuotetta käytetään tässä käyttöohjeessa olevien ohjeiden ja turvallisuusvaroitusten mukaisesti. Takuu ei kata vahinkoja, jotka johtuvat tuotteen virheellisestä käsittelystä.

HUOMAA: Kahden vuoden takuu koskee vain kuluttajia, ei laitteen kaupallista käyttöä.



HUOM!

Rekisteröi tuotteesi osoitteessa www.warranty-woods.com ja lue, miten voit saada laajennetun takuun. Katso lisätietoja osoitteesta www.woods.se.

Suosittelavat käyttöolosuhteet

Viilennyksen paras käyttölämpötila on 17–35 °C. Laite toimii korkeintaan 45 °C:ssa. Sulake: \varnothing 5,0 x 20 mm 3,15 A, 250 Vac.

TEKNISET TIEDOT

	AC Cortina 12K Duo
Jäähdytysteho	3.520 W
Virrankulutus	1.350 W
Ilmavirtaus:	420m ³ / h
Energialuokka	A
Kosteudenpoisto	33,6 L / 24h
Lämpötilan asetusalue	17-30°C
Käyttölämpötila	16-45°C
EER	2,6
Poistoletkun pituus	1,5 m
Poistoletkun halkaisija	15 cm
Kylmäaineikaasu	R290/260g
Melutaso desibeleinä	56dB / 64dB
Paino	33,4 kg
Mitat mm, K x L x S	850x471x355

*Oikeus teknisiin muutoksiin ja parannuksiin pidetään. Kaikki arvot ovat likimääräisiä ja voivat vaihdella ulkoisten olosuhteiden, kuten lämpötilan, ilmanvaihdon ja kosteuden mukaisesti.



*Merkinnän mukaisesti tuotetta ei saa hävittää talousjätteen mukana EU:n alueella. Kierrätä tuote vastuullisesti ja edistä materiaalien kestäväää käyttöä. Samalla ehkäiset valvomattoman jätteen hävittämisen aiheuttamia riskejä ympäristölle ja ihmisten terveydelle. Jos haluat palauttaa laitteen, käytä palautus- ja keräysjärjestelmiä tai ota yhteyttä siihen jälleenmyyjään, jolta tuote on ostettu. He voivat kierrättää tuotteen ympäristöystävällisesti.

WiFi-toiminto

1. Lataa ja asenna sovellus

Lataa Woods Connect -sovellus App Storesta tai Google Playsta

1. Rekisteröidy/Kirjaudu sisään/
Unohtunut salasana

Rekisteröidy

Jos sinulla ei ole sovellustiliä, rekisteröi tili, tai kirjaudu sisään tekstiviestinä saamallasi vahvistuskoodilla.

Tällä sivulla kuvataan rekisteröitymisprosessi.

1. Siirry rekisteröitymisivulle napauttamalla
2. Järjestelmä tunnistaa automaattisesti maasi/alueesi. Voit myös valita maakoodin. Anna matkapuhelinnumerosi/sähköpostiosoitteesi ja valitse Seuraava.
3. Jos syötät matkapuhelinnumeron, kirjoita viestinä saamasi vahvistuskoodi, anna salasana ja tee rekisteröinti loppuun valitsemalla "Vahvista" (Confirm).
4. Jos annat sähköpostiosoitteesi, syötä salasana ja tee rekisteröinti loppuun valitsemalla "Vahvista" (Confirm).

2. Kirjaudu sisään käyttäjätunnuksella ja salasanalla tai tekstiviestinä saamallasi vahvistuskoodilla

Kirjaudu sisään käyttäjätunnuksella ja salasanalla

1. Järjestelmä tunnistaa automaattisesti maasi/alueesi. Voit myös valita maakoodin. Anna matkapuhelinnumero/sähköpostiosoite ja valitse Seuraava
2. Syötä rekisteröitymisen yhteydessä antamasi matkapuhelinnumero tai sähköpostiosoitteesi ja kirjaudu sisään salasanalla.

Kirjaudu sisään vahvistuskoodilla

1. Siirry uudelle sivulle valitsemalla "Kirjaudu sisään tekstiviestivahvistuksella"

2. Järjestelmä tunnistaa automaattisesti maasi/alueesi. Voit myös valita maakoodin itse.

Unohtunut salasana

Jos olet unohtanut salasanasi, noudata näitä ohjeita:

1. Valitse "Unohtunut salasana"
2. Järjestelmä tunnistaa automaattisesti maasi/alueesi. Voit myös valita maakoodin itse. Anna matkapuhelinnumerosi/sähköpostiosoitteesi ja valitse Seuraava.
3. Syötä tekstiviestillä/sähköpostiviestissä saamasi vahvistuskoodi, anna uusi salasana ja valitse lopuksi "Vahvista" (Confirm).

WiFi Woods Connect tukee seuraavia toimintoja:

Virta päälle/pois
Viilennystila
Kosteudenpoistotila
Puhallustila
Energiansäästötila
Lämpötila-asetukset
Nopeus: Hidas, keskinopeus ja nopea
Ajastin: 1–24 h
Lepotila: Päällä/pois
Automaattinen puhdistus: Päällä/pois
Lukitus: Päällä/pois
Celsius/Fahrenheit
Kääntötoiminto: Päällä/pois

3. Noudata WiFi:n käytössä sovelluksen ohjeita.

Smart Home

Jos tuotteesi on Smart Home -tuote, tee vaiheet 1–3.

Kolmannen osapuolen käyttöoikeuspalvelu: Katso ohjeet palveluun yhdistämisestä napauttamalla kolmannen osapuolen äänipalvelukuvaketta. Löydät kuvakkeen kohdasta

Smart Home Woods Connect tukee seuraavien toimintojen äänikomentoja:

Virta päälle/pois
Lämpötila-asetukset

Lisätietoja osoitteessa:
<https://woods.se/en/>

„WOOD’S“ - ŠVARIAM IR SVEIKAM ORUI PATALPOSE

„Wood’s“ prekės ženklą daugiau nei prieš 65 metus Kanados Guelpo mieste, Ontarijo valstijoje, įkūrė Woods šeima. „Wood’s“ pradėjo sausintuvų kūrimą ir gamybą 1950-aisiais. Nuo tada „Wood’s“ prietaisai keliems šimtams tūkstančių namų padėjo apsisaugoti nuo drėgmės ir pelėsių bei mėgautis švaresniu oru. Mūsų nešiojami oro kondicionieriai tinka naudoti daugelyje klimatų, net svyruojant temperatūroms ir drėgmės lygiui. Jie tinka naudoti ir įšylančiose patalpose, tokiose kaip svetainės, biurai ar miegamieji. Karšto oro kiekis, kurį oro kondicionierius ištraukia iš patalpos, priklauso nuo patalpos temperatūros, esamo drėgmės lygio ir pastatymo vietos. Išorinės oro sąlygos taip pat gali paveikti oro kondicionieriaus darbo kokybę.

„Wood’s“ oro kondicionieriai veikia saugiai ir skirti naudoti pastoviai daugybe metų.

KAIP VEIKIA ORO KONDICIONAVIMO PRIETAISAS?

Žemas slėgis sukuria šaltą orą
Pagrindinis oro kondicionieriaus elementas yra aušinimo skystis, kuris esant žemam slėgiui virsta dujomis. Šis procesas „sukuria šaltį“, kuris nukreipiamas į vidų, o šiltas oras išstumiamas.

Skystas aušinimo skystis perleidžiamas per išsiplėtimo vožtuvą į vamzdį, kuriame yra žemas slėgis.

Čia aušinimo skystis išgaruoja ir tampa dujomis. Proceso metu iš aplinkos sugerama šiluma ir vamzdis atvėsinamas.

Ventiliatorius išstumia šaltą orą į patalpą. Dujos pereina per kompresorių, kuris padidina slėgį ir dujas paverčia skysčiu. Šio proceso metu išsiskiria šiluma, ji nukreipiamas į vamzdžius kitoje pusėje ir išpučiama ventiliatoriumi.

Termostatas išjungia prietaisą, kai patalpos oras tampa pakankamai vėsus.

1. ĮSPĖJIMAI



Degioji medžiaga. Šiame prietaise yra R290/Propanas yra degus šaltnešis.



Šiame vadove rasite saugos informacija.



Žr. techninį vadovą



Žr. operatoriaus vadovą.

SAUGOS INFORMACIJA

Prieš įrengdami ir naudodami prietaisą, atidžiai perskaitykite pateiktus nurodymus. Gamintojas neatsako už sužalojimus ir pažeidimus, atsiradusius neteisingai naudojant prietaisą. Instrukciją visada laikykite prie prietaiso, kad prireikus galėtumėte pasiskaityti.

Vaikų ir pažeidžiamų žmonių sauga

ĮSPĖJIMAS



Susižalojimo arba nuolatinio neįgalumo pavojus. Šį prietaisą gali naudoti vaikai nuo 8 metų ir asmenys, turintys psichinę, jutiminę ar fizinę negalią, arba neturintys pakankamai patirties ar žinių, jei juos prižiūri arba išmoko saugiai naudotis prietaisu kitas asmuo ir jei jie supranta su prietaiso naudojimu susijusius pavojus.

Neleiskite vaikams žaisti su prietaisu.

Jaunesni kaip 3 metų vaikai turėtų būti laikomi atokiau, nebent jie būtų nuolat prižiūrimi. Visas pakuotes laikykite atokiau nuo vaikų.

Prietaiso valymo ir priežiūros darbu vaikai be priežiūros atlikti negali.

Bendroji sauga

Šis prietaisas skirtas naudoti buitinėje ir panašioje aplinkoje, tokioje kaip svetainės, gyvenamosios patalpos, darbuotojų virtuvės parduotuvėse, biuruose ir kitokioje darbinėje aplinkoje. Tipu plokštelė yra oro kondicionieriaus šone arba galinėje pusėje. Negalima uždengti ventiliacijos angų.

Nenaudokite mechaninių įtaisų ar kitų priemonių atitirpinimo procesui pagreitinti, išskyrus gamintojo rekomenduotus. Prietaiso negalima laikyti patalpoje, kurioje yra veikiančių degimo šaltinių (pvz., atvira liepsna, veikiantis dujinis prietaisas arba elektrinis šildytuvas). Prietaiso negalima badyti ar deginti. Turėkite omenyje, kad šaltnešis gali neturėti kvapo. Prietaisui valyti nenaudokite vandens srovės ir garų. Prietaisą valykite minkšta drėgna šluoste. Naudokite tik neutralius ploviklius. Nenaudokite abrazyvinių gaminių, abrazyvinių šluosčių, tirpiklių ar metalinių daiktų. Jei maitinimo laidas yra pažeistas, jis turi būti pakeistas gamintojo, jo

įgalioto techninės priežiūros centro arba kito kvalifikuoto asmens, išvengiant galimo pavojaus.

SAUGOS NURODYMAI

Įrengimas

Šį prietaisą gali įrengti tik kvalifikuotas asmuo.

Pašalinkite visą pakuotę.

Neįrenkite ir nenaudokite pažeisto prietaiso. Prietaisą galima įrengti, eksploatuoti ir laikyti patalpoje, kurios grindų plotas didesnis nei 12,5 m². Laikykitės su prietaisu pateiktų įrengimo nurodymų. Prietaisą perkelkite atsargiai, nes jis yra sunkus. Visada mėvėkite apsaugines pirštines.

Turėkite omenyje, kad šaltnešis gali neturėti kvapo.

Pasirūpinkite, kad aplink prietaisą oras galėtų laisvai cirkuliuoti.

Prieš prijungdami prietaisą prie maitinimo šaltinio, palaukite bent 4 valandas. Per šį laiką alyva subėgs atgal į kompresorių.

Neįrenkite prietaiso arti radiatorių ar kitų šilumos šaltinių.

Neįrenkite prietaiso tiesioginių saulės spindulių apšviečiamoje vietoje.

Elektros maitinimo prijungimas

ĮSPĖJIMAS

Gaisro ir elektros smūgio rizika.

Prietaisas turi būti prijungtas prie įžeminto maitinimo lizdo.

Įsitikinkite, kad duomenų plokštelėje esanti elektros maitinimo informacija atitinka maitinimo šaltinio duomenis. Jei

taip nėra, kreipkitės į elektriką. Visada naudokite tinkamai įrengtą smūgiams atsparų lizdą.

Nenaudokite šakotuvų ir ilgintuvų. Pasirūpinkite, kad nebūtų pažeisti elektros komponentai (pvz., kištukas, maitinimo kabelis).

Kreipkitės į įgaliotąjį techninės priežiūros centrą arba elektriką, kad pakeistų elektros komponentus.

Maitinimo kabelis turi būti žemiau kištuko lygio.

Kištuką į maitinimo lizdą įjunkite tik įrengimo pabaigoje.

Pasirūpinkite, kad įrengus prietaisą kištukas būtų lengvai pasiekiamas.

Norėdami išjungti prietaisą, netraukite maitinimo kabelio.

Visada traukite tik kištuką.

Naudoti

ĮSPĖJIMAS

Sužeidimų, nudegimų, elektros smūgio ar gaisro pavojus.

Nekeiskite šio prietaiso specifikacijos.

Būkite atsargūs, kad nepažeistumėte šaltnešio kontūro. Jame yra propano (R290), aplinkoje lengvai pasklindančių gamtinių dujų. Šios dujos yra degios.

Jei pažeidžiamas šaltnešio kontūras, pasirūpinkite, kad patalpoje nebūtų liepsnos ir uždegimo šaltinių. Vėdinkite patalpą.

Nedėkite degių gaminių ar daiktų, persisunkusių degiaisiais gaminiais, šalia arba ant prietaiso.

Šalinimas



ĮSPĖJIMAS

Pavojus susižeisti.

Atjunkite prietaisą nuo maitinimo tinklo.

Nupjaukite maitinimo laidą ir išmeskite.

Šio prietaiso šaltnešio kontūras nekenkia ozonui. Informacijos apie tai, kaip tinkamai išmesti prietaisą, teiraukitės savivaldybėje.

Nepažeiskite aušinimo įrenginio dalies, esančios šalia šilumokačio.

ORO KONDICIONIERIAUS PARUOŠIMAS MONTUOTI

SVARBU.

2. Įrengimas

PRIEŠ NAUDOJANT PIRMĄ KARTĄ

Prieš naudodami prietaisą leiskite 4 val. pabūti jam darbinėje aplinkoje

Vietos pasirinkimas

Svarbu

1. Šį oro kondicionierių galite patogiai perkelti patalpoje į norimą vietą; pervežkite laikykite jį vertikaliaje padėtyje. Oro kondicionierių statykite ant lygaus paviršiaus.

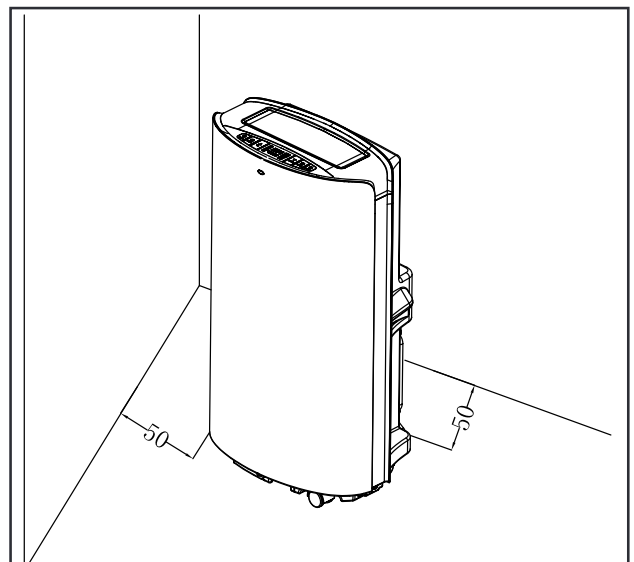
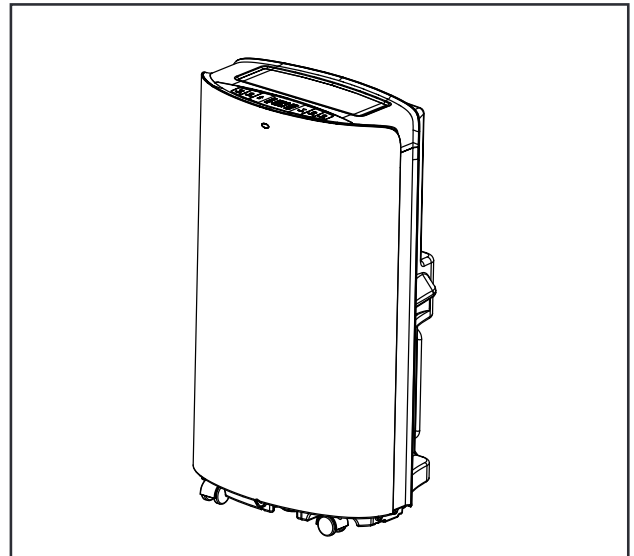
Neįrenkite ir nenaudokite šio oro kondicionieriaus vonioje ar kitoje drėgnoje patalpoje.

Kadangi mobilus oro kondicionierius turi ratukus, jį lengva pervežti į norimą vietą. Patalpai įkaitus, galima tiesiog įvežti į ją mobilų oro kondicionierių ir greitai atvėsinti orą. Oro kondicionierius veiksmingiausiai naudojamas uždaroje patalpoje. Uždarykite visas duris, langus ir kitas angas, vedančias į patalpą. Oro kondicionieriaus veiksmingumas priklauso nuo temperatūros ir drėgmės lygio.

2. Oro kondicionierių statykite vietoje, kurioje jis neblokotų oro srauto tėkmės per prietaiso priekinę dalį.

3. Oro kondicionierius, veikiantis tokioje uždaroje erdvėje kaip spinta, bus mažai veiksmingas, jeigu nebus užtikrinamas tinkamas oro srauto patekimas į erdvę ir išmetimas iš jos. Mobilus oro kondicionierius pašalina šilumą iš prietaiso per ventiliatoriaus žarną ir išmeta per langą arba išmetamojo oro vožtuvą.

4. Tarp oro kondicionieriaus ir kito artimiausio objekto būtina palikti bent 50 cm atstumą. Žr. nuorodinį pav.



PRODUKTO APRAŠYMAS

3. Produkto aprašymas

A

1. Pagrindinis oro kondicionieriaus blokas
2. Nuotolinio valdymo pultas
3. Baterijos
4. Naudotojo vadovas
5. Apvali jungtis
6. Karšto oro išmetimo žarna
7. Adapteris
8. Montavimo lange rinkinys

B

1. Pagrindinio oro kondicionieriaus vaizdas iš šono

C

1. Priekinis skydelis
2. Langas, kuriame priimamos nuotolinio valdymo pulto komandos
3. Valdymo skydas
4. Viršutinis skydelis
5. Horizontalios žaliuzės
6. Dešinysis apdailos skydelis
7. Viršutinis filtras ant galinio skydelio
8. Nuotolinio valdymo skyrius
9. Kairysis apdailos skydelis
10. Maitinimo laidas su kištuku
11. Apvijų kolona
12. Apatinis filtras ant galinio skydelio
13. Drenažo dangtelis
14. Universalus ratukas
15. Filtras ant šoninio skydelio
16. Apsauginės grotelės
17. Fiksatorius
18. Rankena
19. Apvali išleidimo žarnos jungtis
20. Išleidimo žarna
21. Išleidimo žarnos adapteris
22. Montavimo lange rinkiniai

D

1. Pagrindinio oro kondicionieriaus vaizdas iš galinės pusės

E

1. Oro išleidimo anga
2. Valdymo skydas

F

1. Valdymo skydas

G

1. Laikmačio mygtukas
2. Greičio pasirinkimo mygtukas
3. Mygtukas Aukštyn
4. Mygtukas Žemyn
5. Režimo pasirinkimo mygtukas
6. Maitinimo mygtukas
7. Aušinimo režimo indikatorius
8. Sausinimo režimo indikatorius
9. Ventilatoriaus režimo indikatorius
10. Energijos atgavimo režimo indikatorius
11. Wi-Fi indikatorius
12. Automatinio sukimosi funkcijos indikatorius
13. Automatinio valymo funkcijos indikatorius
14. Pilno vandens bako indikatorius
15. Miego režimo indikatorius
16. Ventilatoriaus greičio indikatorius
17. Laikmačio indikatorius
18. Laikmačio laiko indikatorius
19. Temperatūros indikatorius

H

1. Kaip išimti filtrus

I

1. Suimkite filtro rankenėlę ir atsargiai patraukite reikalingą kryptimi.
2. Jei reikia, pašalinkite purvo daleles iš filtro.
3. Atsargiai panardinkite filtrą į šiltą vandenį (apie 40 °C) su neutraliu valikliu, nuplaukite, nuskalaukite ir leiskite jam pavėsyje išdžiūti.

J

1. Fiksatorius
2. Lizdas
3. Sumontuota išleidimo žarna

K

1. Nuotolinio valdymo pulto dėžė
2. Nuotolinio valdymo pultas
3. Nuotolinio valdymo pulto kryptis

L

1. Mygtukas aukštyn ir žemyn
2. Ventilatoriaus greičio reguliavimo mygtukas
3. Laikmačio mygtukas
4. Miego režimo mygtukas
5. LCD ekrano langas
6. Maitinimo mygtukas
7. Režimo pasirinkimo mygtukas
8. Automatinio sukimosi mygtukas
9. Automatinio valymo mygtukas

M

1. Prieš naudodami nuotolinio valdymo pultą į jį įdėkite AAA tipo baterijas.

N

1. Drenažo dangtelis
2. Drenažo žarna

O

1. Drenažo dangtelis
2. Drenažo kamštis
3. Vandens išleidimo anga

P

1. Ištraukite vieną išleidimo žarnos galą, užsukite ant galo be apvalios jungties lizdo, mažiausiai tris apsisukimus sukdami prieš laikrodžio rodyklę.
2. Ištraukite kitą išleidimo žarnos galą, ant jos užsukite adapterį, mažiausiai tris apsisukimus sukdami prieš laikrodžio rodyklę.
3. Sumontuota išleidimo žarna

Q

1. Prilaikykite lango užsandinimo plokšteles iš abiejų kraštų, kad jos gerai priglustų prie lango ir užtikrintų sandarumą patalpoje.

R

1. Paruoštas naudoti oro kondicionierius

EKSPLOATAVIMO REŽIMŲ FUNKCIJA IR ĮRENGIMO APRAŠYMAI

Įrengimas

Jei prietaisas buvo transportuojamas horizontaliai, prieš naudodami palaikykite jį vertikaliaje padėtyje bent 4 valandas.

Pastatykite prietaisą ant lygaus ir kieto paviršiaus.

Nestatykite prietaiso vonioje ar kitoje drėgnoje aplinkoje.

Pasirūpinkite, kad nebūtų blokuojamas oro srautas, ir išlaikykite bent 50 cm atstumą iki aplinkinių paviršių.

IŠLEIDIMO ŽARNOS MONTAVIMAS

1. Ištraukite vieną išleidimo žarnos galą, užsukite ant galo be apvalios jungties lizdo, mažiausiai tris apsisukimus sukdami prieš laikrodžio rodyklę.
2. Ištraukite kitą išleidimo žarnos galą, ant jos užsukite adapterį, mažiausiai tris apsisukimus sukdami prieš laikrodžio rodyklę.
3. Ištraukite išleidimo žarną ir nukreipkite ją į išorę per langą ar duris.

MONTAVIMO LANGE RINKINIO NAUDOJIMAS

1. Norėdami naudoti montavimo lange rinkinį, atidarykite langą ir įstatykite montavimo lange rinkinį horizontaliai arba vertikaliai, priklausomai nuo lango.
2. Pakoreguokite montavimo lange rinkinio ilgį ir pritvirtinkite įtaisą varžtais.
3. Uždarykite langą ir prijunkite ant išleidimo žarnos sumontuotą adapterį prie montavimo lange rinkinio.

MONTAVIMO LANGE RINKINIO NAUDOJIMAS

Prieš naudodami nuotolinio valdymo pultą į jį įdėkite AAA tipo baterijas.

1. Nuotolinio valdymo pulto galinėje juostoje paspauskite ir pastumkite baterijų skyriaus dangtelį, taip galėsite jį nuimti.
2. Įdėkite dvi naujas šarmines AAA baterijas į baterijų skyrių, atkreipdami dėmesį į tinkamą poliškumą.
3. Uždenkite baterijų skyriaus dangtelį, įsitikinkite, kad fiksavimo skirtukas užsifiksavo.

Naudokite tik šarmines baterijas. Nenaudokite pakartotinai įkraunamų baterijų.

Keisdami baterijas visada keiskite abi kartu naujomis baterijomis, vienu metu nenaudokite

naujų ir senų baterijų.

Jei oro kondicionieriaus ilgą laiką nenaudosite, išimkite baterijas iš nuotolinio valdymo pulto.

Naudojimo instrukcija

1. Prietaiso įjungimas. Norėdami įjungti ir išjungti prietaisą spauskite POWER (MAITINIMO) mygtuką.
2. Pasirinkite režimą. Prietaisas turi 4 skirtingus režimus: aušinimo, sausinimo, energijos taupymo ir ventiliatoriaus. Spausdami MODE (REŽIMO) mygtuką ant nuotolinio valdymo pulto arba valdymo skydo pasirinkite režimą.

- Aušinimo režimas: Nustatykite pageidaujamą temperatūrą naudodami rodykles valdymo skydelyje arba nuotolinio valdymo pultą. Nustatyta temperatūra bus rodoma ekrane.
- Sausinimo režimas: Sausinimo režimu ventiliatorius veikia tiktai mažu greičiu. Temperatūros nustatyti negalima.
- Ventiliatoriaus režimas: Kompresorius sustabdomas, veikia tik ventiliatorius. Temperatūros nustatyti negalima.
- Energijos taupymo režimas: mažiausios energijos sąnaudos naudojant energijos atgavimo funkciją. Kai aplinkos temperatūra yra aukštesnė už nustatytą temperatūrą, įrenginys veikia aušinimo režimu. Kai aplinkos temperatūra pasiekia nustatytą temperatūrą, kompresorius ir viršutinis ventiliatorius nustoja veikti. Po 2 minutes ir 30 sekundžių viršutinis ventiliatorius įsijungia veikti mažu greičiu 30 sekundžių. Jei kompresorius neįsijungia (t. y., aplinkos temperatūra yra žemesnė nei nustatyta temperatūra), viršutinis ventiliatorius pakartotinai įsijungs veikti šiuo režimu (pakartotinai sustabdant 2 minutėms 30 sekundžių ir veikiant mažu greičiu 30 sekundžių).

3. Laikmačio nustatymas.

- Norėdami nustatyti laikmatį išjungti prietaisą, jam veikiant paspauskite TIMER (LAIKMAČIO) mygtuką.
- Norėdami nustatyti laikmatį įjungti prietaisą, paspauskite TIMER (LAIKMAČIO) mygtuką, kai prietaisas yra išjungtas.

Valdymo skydo arba nuotolinio valdymo pulto rodyklėmis aukštyn ir žemyn nustatykite laiką.

Kai laikmatis yra įjungtas, šviečia lemputė valdymo skydelyje.

4. Ventiliatoriaus greičio nustatymas. Paspausdami SPEED (GREIČIO) mygtuką ant valdymo skydelio nustatykite ventiliatoriaus greitį. Nuotolinio valdymo pulte paspauskite FAN (VENTILIATORIAUS) mygtuką norėdami nustatyti ventiliatoriaus greitį.
5. Celsijaus / Farenheito laipsnių pasirinkimas. Valdymo skydelyje paspauskite rodykles aukštyn ir žemyn vienu metu norėdami persijungti tarp Celsijaus ir Farenheito laipsnių.
6. Miego režimas. Naudokite miego režimą naktį, kad prietaisas netrukdytų jums miegoti. Prietaisui veikiant aušinimo režimu kartu paspauskite TIMER (LAIKMAČIO) ir UP (AUKŠTŪN) mygtukus, norėdami įjungti miego režimą. Nuotolinio valdymo pulte paspauskite SLEEP (MIEGO) mygtuką. Norėdami išjungti funkciją paspauskite mygtuką dar kartą.
7. Automatinio sukimosi funkcija. Norėdami įjungti automatinio sukimosi funkciją, kartu paspauskite TIMER (LAIKMAČIO) ir SPEED (GREIČIO) mygtukus. Nuotolinio valdymo pulte paspauskite automatinio sukimosi funkcijos mygtuką. Norėdami išjungti funkciją paspauskite mygtuką dar kartą.
8. Automatinio valymo funkcija. Paspauskite nuotolinio valdymo pulto mygtuką AUTO-CLEAN (AUTOM. VALYMAS), kad įrenginys būtų išvalomas iš vidaus. Įrenginys bus valomas 3 minutes prieš išjungiant.

APSAUGINĖS FUNKCIJOS

Automatinis atitirpinimas

Prireikus įrenginys bus atitirpinamas automatiškai. Atitirpinimo režimu ekrane rodoma E4 ir neveikia jokie mygtukai išskyrus POWER (MAITINIMAS).

Kompresoriaus apsauga

Įrenginys turi kompresoriaus apsaugos funkciją, dėl kurios iš naujo įrenginys paleidžiamas po 3 minučių atidėjimo.

EKSPLOATAVIMO REŽIMŲ FUNKCIJA IR ĮRENGIMO APRAŠYMAI

Įspėjimas apie pilną vandens talpyklą

Kai vandens talpykla prisipildo, prietaisas išsijungia. Šviečia įspėjimo apie pilną vandens talpyklą lemputė ekrane ir girdimas garsinis signalas. Ištuštinkite vandens talpyklą ir paleiskite įrenginį iš naujo.

Vandens išleidimo instrukcija

Ištuštinkite vandens talpyklą

Atsukite drenažo dangtelį ir ištraukite vandens išleidimo kaištį. Ištuštinkite vandens talpyklą ir vėl įstatykite vandens išleidimo kaištį ir uždėkite dangtelį.

Pastabos.

- Prietaisą judinkite atsargiai, kad neišbėgtų vanduo.
- Išleisdami vandenį šiek tiek pakreipkite prietaisą atgal.
- Kad vanduo nepradėtų bėgti ant grindų ar kilimo, užkiškite drenažo angą kuo greičiau prieš tai, kai talpykla prisipildys tiek, kad joje nebetilptų visas vanduo.
- Vandens kaištį ir drenažo dangtelį reikia pritvirtinti sandariai, kad kondensatas vėliau nebėgtų ant grindų ar kilimo, kai prietaisą vėl įjungsite veikti.

Vandens žarnos prijungimas nuolatiniam drenažui

Atsukite drenažo dangtelį ir ištraukite vandens išleidimo kaištį. Pritvirtinkite 13 mm vandens žarną prie vamzdžio ant įrenginio. Kitą vandens žarnos galą nuveskite iki drenažo linijos. Įsitinkinkite, kad vanduo galės tekėti žemyn.

Pastabos.

- Drenažo žarną reikia įstatyti tada, kai vandens talpykloje nėra.
- Rekomenduojama nenaudoti nuolatinio drenažo, kai prietaisas veikia aušinimo režimu, kad pakankamai vandens būtų grąžinama į prietaisą ir sistema veiksmingai aušintų orą.
- Nustatykite drenažo žarną nepasiekiamoje vietoje ne aukščiau negu drenažo anga ir pasirūpinkite, kad drenažo žarną būtų tiesi.
- Kai naudojate nuolatinį drenažą, saugiai pasidėkite drenažo dangtelį ir kaištį.

Oro filtras

Oro filtras neleidžia į prietaisą pateikti purvui ir dulakėms, todėl pailgėja jo eksploataavimo trukmė. Svarbu, kad filtras būtų reguliariai valomas, kitaip prietaisas gali būti rimtai pažeistas. Todėl filtrus valykite bent kas dvi savaites.

Filtro valymas

1. Išimkite filtrą.
2. Nuplaukite jį po šiltu vandeniu su švelniu valikliu. Taip pat galite nusiurbti filtrą.
3. Leiskite filtrui nudžiūti ir įstatykite atgal į oro sausintuvą.

Filtro įstatymas

Filtro galą nukreipkite link angos ir švelniai įstumkite filtrą į angą.

Pastabos.

- Nepamirškite iš pradžių įstatyti šoninio skydelio filtrą, tik po to - galinio skydelio filtrą.
- Filtrą įstatykite priešinga kryptimi negu išėmėte.
- Filtrą įstatykite švelniai, kad jo nepažeistumėte.

Labai svarbu, kad filtras būtų reguliariai valomas; Priešingu atveju oro kondicionierius gali prarasti talpą ir netgi būti rimtai pažeistas.

Sandėliavimo nurodymai

Nuotolinio valdymo pulto laikymas

1. Nuotolinio valdymo pultą įstatykite į tam skirtą skyrių prietaiso kairėje pusėje.
2. Švelniai spustelėkite skyriaus apatinę dalį, norėdami atidaryti skyrių ir išimti valdymo pultą.

Sandėliavimas pasibaigus sezonui

1. Atsukite drenažo dangtelį, ištraukite kaištį ir išleiskite visą kondensatą.
2. Leiskite prietaisui pusdienį paveikti ventiliatoriaus režimu, kad visas prietaisas išdžiūtų ir viduje neatsirastų pelėsių.

3. Išjunkite prietaisą, ištraukite kištuką, apskukite maitinimo laidą aplink apvijos koloną, kištuką įkiškite į universalaus tvirtinimo angą galinėje plokštelėje, įstatykite vandens kaištį ir drenažo dangtelį.
4. Atjunkite karščio išleidimo žarną, ją išvalykite ir tinkamai pasidėkite.

Pastabos.

- Išimdami laikykite išleidimo žarnos bloką abiem rankomis.
- Paspausdami fiksatorius išleidžiamo oro angos šonuose nykščiais ištraukite oro išleidimo žarną.
- 5. Tinkamai supakuokite oro kondicionierių į minkšto plastiko maišą ir pasidėkite saugioje vietoje, pasirūpinkite, kad jis nedulkėtų ir būtų nepasiekiamas vaikams.
- 6. Iš nuotolinio valdymo pulto išimkite ir tinkamai pasidėkite baterijas.

Pastaba.

- Prietaisą sandėliuokite sausoje vietoje.
- Visus prietaiso priedus reikia tinkamai apsaugoti.

Priežiūra

Nuvalykite kondensatorių su „Wood's“ valikliu. Daugiau apie tai, kaip valyti prietaisą, rasite svetainėje woods.se. Nuvalykite prietaisą drėgna minkšta šluoste. Nenaudokite tirpiklių ar stiprių valiklių, nes taip galima pažeisti prietaiso paviršius.

Aptarnavimas

Jei reikia atlikti oro kondicionieriaus aptarnavimo procedūras, iš pradžių kreipkitės į vietinį pardavėją. Kreipiantis dėl garantinio aptarnavimo būtina turėti pirkimo čekį.

Problema	Priežastis	TRIKČIŲ ŠALINIMAS
Prietaisas neįsijungia	Elektros tikimo triktis Prietaisas pilnas vandens, šviečia lemputė Per aukštą arba per žemą aplinkos temperatūrą Patalpos temperatūra yra žemesnė nei nustatyta temperatūra aušinimo režimu arba aukštesnė nei nustatyta temperatūra šildymo režimu	Prijunkite įrenginį prie elektros lizdo ir įjunkite Išleiskite iš prietaiso vandenį. Rekomenduojama prietaisą eksploatuoti esant 8-35 Nustatykite temperatūrą
Aušinama netinkamai	Į prietaisą krenta tiesioginiai saulės spinduliai Atidaryti langai ir durys, patalpoje daug žmonių ar kitų šilumos šaltinių Purvinas filtras Užsikimšo oro įsiurbimo arba išleidimo anga	Uždarykite žaliuzes Uždarykite duris ir langus, pašalinkite kitus šilumos šaltinius Nuvalykite arba pakeiskite filtro tinklėlį Pašalinkite kliūtis
Didelis garsas	Prietaisas pastatytas ant nelygaus paviršiaus.	Pastatykite prietaisą ant lygaus ir kieto paviršiaus (gali veikti tyliau)
Neveikia kompresorius	Įjungiamo apsauga nuo perkaitimo	Palaukite, kol temperatūra sumažės, prietaisas vėl įsijungs automatiškai
Neveikia nuotolinio valdymo pultas	Per didelis atstumas Nuotolinio valdymo pultas neatsuktas į signalų imtuvą ant prietaiso. Išsikrovė baterijos	Nuotolinio valdymo pultą prineškite arčiau oro kondicionieriaus, įsitikinkite, kad imtuvas priima signalą. Pakeiskite baterijas
<p>Jei su sausintuvu iškilo problemų, žr. sk. Trikčių diagnostika. Jei patarimai nepadeda, susisiekite su savo oro kondicionieriaus aptarnavimo įmone.</p>		

Klaidų kodai		
CH01	Patalpos temperatūros jutiklio gedimas	Patikrinkite patalpos temperatūros jutiklį ir susijusias grandines
CH02	Vamzdelio temperatūros jutiklio gedimas	Patikrinkite vamzdelio temperatūros jutiklį ir susijusias grandines
E4	Apsauga nuo užšalimo	Automatiškai atstatykite funkcijas, kai išsijungia apsaugos nuo užšalimo funkcija.
FL	Pilna vandens talpykla apačioje	Išleiskite kondensatą ir vėl įjunkite prietaisą

Garantijos

2 metų vartotojo garantija dėl gamybos trūkumų nebuvimo. Atkreipkite dėmesį, kad garantija galioja tik pateikus pirkimo kvitą. Garantija galioja tik tuo atveju, jei prietaisas buvo naudojamas pagal instrukcijas ir saugos įspėjimus, pateikiamus šiame vadove. Garantija neapima žalos, atsiradusios dėl netinkamo produkto naudojimo.

PASTABA. 2 metų garantija taikoma tik buitiniams vartotojams, be komerciniam prietaiso naudojimui.



PASTABA!

Užsiregistruokite adresu www.warranty-woods.com ir sužinokite daugiau apie tai, kaip pratęsti garantiją. Daugiau informacijos pateikiama tinklapyje woods.se.

Rekomenduojamos sąlygos

tinkamam oro sausintuvo veikimui:

Aušinimo funkcija geriausiai veikia esant 17-35 °C aplinkos temperatūrai. Prietaisas veikia iki +45 °C temperatūroje. Saugiklių parametrai: φ5,0 x 20 mm, 3,15 A, 250 V kint. sr.

TECHNINIAI DUOMENYS

AC Cortina 12K Duo

Aušinimo galia	3.520 W
Elektros sąnaudos	1.350 W
Oro srautas:	420m ³ / h
Energijos klasė	A
Sausinimas	33,6 L / 24h
Temperatūros nustatymas	17-30°C
Darbinė temperatūra	16-45°C
EER	2,6
Išleidimo žarnos ilgis	1,5 m
Išleidimo žarnos skersmuo	15 cm
Šaltnešio dujos	R290/260g
Garsumo lygis	56dB / 64dB
Svoris	33,4 kg
Matmenys mm, I x P x A	850x471x355

* Gali būti techninių pakeitimų ir patobulinimų. Visos vertės yra apytikrės ir gali skirtis dėl išorinių aplinkybių, pavyzdžiui, temperatūros, vėdinimo ir drėgmės.



*Ši žyma rodo, kad šio gaminio nereikėtų išmesti su kitomis buitinėmis atliekomis visoje ES. Siekiant išvengti galimos nekontroliuojamo atliekų šalinimo sukeltos žalos aplinkai ar žmogaus sveikatai, jį atsakingai utilizuokite, kad būtų skatinamas tvarus pakartotinis materialų išteklių naudojimas. Jei norite įrenginį grąžinti mums, naudokitės grąžinimo ir surinkimo sistemomis arba kreipkitės į pardavėją, kur buvo įsigytas gaminys. Jie gali priimti šį gaminį, kad jis būtų perdirbtas nepakenkiant aplinkai.

Wi-Fi funkcija

1. Atsisiųskite ir įdiekite programėlę

Atsisiųskite „Woods Connect“ programėlę iš „App Store“ ar „Google Play“

1. Registruotis / Prisijungti / Pamiršau slaptažodį

Registruotis

Jei programėlėje paskyros neturite, registruokite paskyrą arba prisijunkite su patvirtinimo kodu, kurį gausite per SMS.

Šiame puslapyje apibūdintas registracijos procesas.

1. Palieskite norėdami pereiti į registracijos puslapį.
2. Sistema automatiškai atpažins jūsų buvimo šalį / regioną. Taip pat galite pasirinkti savo šalies kodą. Įveskite mobiliojo telefono numerį/el. paštą ir palieskite „Next“ (Toliau).
3. Jei įvedėte mobiliojo telefono numerį, įveskite patvirtinimo kodą į pranešimą ir įveskite slaptažodį, paliesdami „Confirm“ (Patvirtinti) užbaikite registraciją.
4. Jei įvedėte el. paštą, įveskite slaptažodį ir paliesdami „Confirm“ (Patvirtinti) užbaikite registraciją.

2. Prisijunkite su vartotojo vardu ir slaptažodžiu arba patvirtinimo kodu, gautu per SMS

Prisijunkite su vartotojo vardu ir slaptažodžiu

1. Sistema automatiškai atpažįsta jūsų šalį / regioną. Taip pat galite pasirinkti savo šalies kodą. Įveskite mobiliojo telefono numerį / el. paštą ir palieskite „Next“ (Toliau).
2. Įveskite savo registruotą mobiliojo telefono numerį, el. pašto adresą ir slaptažodį, kad prisijungtumėte.

Prisijunkite naudodami patvirtinimo kodą

1. Palieskite „Sign in with SMS verification“ (Prisijungti su SMS patvirtinimu) naujame puslapyje
2. Sistema automatiškai atpažins jūsų buvimo šalį / regioną. Taip pat galite pasirinkti savo šalies kodą patys.

Pamiršau slaptažodį

Jei pamiršote slaptažodį:

1. Palieskite „Forgot password“ (Pamiršau slaptažodį)
2. Sistema automatiškai atpažįsta jūsų šalį / regioną. Šalies kodą taip pat galite pasirinkti patys. Įveskite mobiliojo telefono numerį/el. paštą ir palieskite „Next“ (Toliau).
3. Įveskite patvirtinimo kodą iš pranešimo / el. laiško ir įveskite naują slaptažodį, palieskite „Confirm“ (Patvirtinti).

Wi-Fi „Woods Connect“ palaiko šias funkcijas:

Maitinimo įjungimas / išjungimas
 Aušinimo režimas
 Sausinimo režimas
 Ventilatoriaus režimas
 Ekonomiško veikimo režimas
 Temperatūros nustatymai
 Greitis: mažas, vidutinis, didelis
 Laikmatis: 1-24 val.
 Miego režimas: įj. / išj.
 Automatinis valymas: įj. / išj.
 Užraktas: įj. / išj.
 Celsijaus / Farenheito laipsniai
 Sukimasis: įj. / išj.

3. Norėdami naudotis Wi-Fi, vykdykite instrukcijas programėlėje.

„Smart Home“

Jei turite „Smart Home“ produktą, atlikite 1-3 veiksmus.

Trečiosios šalies prieigos paslauga: Palieskite trečiosios šalies balso paslaugos piktogramą norėdami sužinoti, kaip prisijungti prie paslaugos.

Matysite šias piktogramas

„Smart Home“ „Woods Connect“ palaiko šias balso komandas:

Maitinimo įjungimas / išjungimas
 Temperatūros nustatymai

Daugiau informacijos rasite svetainėje

<https://woods.se/en/>

WOOD'S TĪRAM UN VESELĪGAM IEKŠTELPU GAISAM

Wood's zīmols kopā ar Wood's saimi radās pirms vairāk nekā 65 gadiem Kanādas pilsētā Guelph (Ontario). Šeit Wood's 1950. gadā sāka izstrādāt un ražot gaisa sausinātājus. Kopš tā laika Wood's palīdzību izmantojušo mājsaimniecību skaits sasniedz vairākus simtus tūkstošu, novēršot mitra pelējuma izraisītos zaudējumus un elpojot tīrāku gaisu. Mūsu pārnēsājami gaisa kondicionētāji ir piemēroti lietošanai vairumā klimatu, kur jauda ir laba pat dažādos temperatūras un mitruma līmeņos. Tie nodrošina labus rezultātus uzkaršušās telpās, piemēram, dzīvojamās istabās, birojos un guļamistabās. Gaisa kondicionētāja izvadītā karstā gaisa daudzums ir atkarīgs no temperatūras, mitruma līmeņa un novietojuma. Gaisa kondicionētāja veikspēju var ietekmēt arī ārēji laikapstākļi.

Wood's gaisa kondicionētāju ekspluatācija ir droša, un tiek ir paredzēti pastāvīgi lietošanai daudzu gadu garumā.

KĀ DARBOJAS GAISA KONDICIONĒŠANAS IERĪCE?

Zems spiediens nodrošina aukstu gaisu. Gaisa kondicionētāja galvenais elements ir aukstumaģents, kas zema spiediena gadījumā tiek pārvērsts par gāzi. Šis process "rada aukstumu", kas tiek pārnest uz iekšpusi, silto gaisu atstājot ārā. Šķidrums aukstumaģents iziet caur izplešanās vārstu un nonāk caurulē, kur ir zems spiediens. Aukstumaģents iztvaiko un pārvēršas par gāzi. Process absorbē vides siltumu, un caurule tiek atdzesēta. Ventilators auksto gaisu iepūš telpā. Gāze iziet caur kompresoru, kas palielina spiedienu un pārvērš gāzi šķidrumā. Šajā procesā tiek atbrīvots siltums, kas tiek aizvadīts uz caurulēm pretējā pusē un izpūsts ar ventilatoru. Termostats izslēdz ierīci, kad iekštelpu gaiss ir pietiekami vēss.

1. DROŠĪBAS BRĪDINĀJUMI



Viegli uzliesmojošs materiāls. Šī ierīce satur R290/ propānu, kas ir viegli uzliesmojošs aukstumaģents.



Skatiet šo rokasgrāmatu, lai iegūtu informāciju par drošību.



Izlasiet tehnisko rokasgrāmatu



Izlasiet operatora rokasgrāmatu.

INFORMĀCIJA PAR DROŠĪBU

Pirms ierīces uzstādīšanas un lietošanas uzmanīgi izlasiet komplektā iekļauto instrukciju. Ražotājs neuzņemas atbildību par nepareizas uzstādīšanas un lietošanas izraisītām traumām un kaitējumiem. Vienmēr glabājiet instrukciju ierīces tuvumā turpmākai uzziņai.

Bērnu un neaizsargātu personu drošība



BRĪDINĀJUMS

Traumu vai neatgriezeniskas invaliditātes risks. Šo ierīci drīkst lietot bērni no 8 gadu vecuma un personas ar fiziskiem, maņu orgānu vai garīgiem traucējumiem, kā arī personas, kurām nav nepieciešamās pieredzes un zināšanu, ja tās ir saņēmušas praktisku apmācību vai norādījumus par ierīces lietošanu

drošā veidā un saprot ar to saistītos apdraudējumus. Neļaujiet bērniem rotaļāties ar ierīci.

Bērni līdz 3 gadu vecumam nedrīkst tuvoties ierīcei, ja vien viņi netiek nepārtraukti uzraudzīti. Sargājiet visu iepakojumu no bērniem. Bērni nedrīkst bez uzraudzības veikt tīrīšanu un lietotāja apkopi.

Vispārējā drošība

Šo ierīci ir paredzēts izmantot mājsaimniecībā un tamlīdzīgos pielietojumos, piemēram: ģimenes istabā, dzīvojamā istabā, personāla virtuves zonās veikalos, birojos un citās darba vidēs. Nominālo tehnisko datu plāksnīte atrodas gaisa kondicionētāja sānos vai aizmugurē. Nodrošiniet, lai ventilācijas atveres nebūtu nosprostotas.

Atkausēšanas procesa paātrināšanai neizmantojiet mehāniskas ierīces vai citus līdzekļus, ko nav ieteicis ražotājs. Ierīci nedrīkst glabāt telpā, kur darbojas uzliesmošanas avoti (piemēram, atklāta liesma, aizdegta gāzes ierīce vai ieslēgts elektriskais sildītājs). Necaurduriet un nededziniet.

Ņemiet vērā, ka aukstumaģentiem var nebūt smaržas. Ierīces tīrīšanai neizmantojiet ūdens smidzinātāju un tvaiku. Tīriet ierīci ar mitru mīkstu drānu. Izmantojiet tikai neitrālus mazgāšanas līdzekļus. Neizmantojiet abrazīvus produktus, abrazīvus tīrīšanas spilventiņus, šķīdinātājus vai metāla priekšmetus.

Ja ir bojāts strāvas padeves vads, ražotājam, tā pilnvarotam apkopes centram vai līdzīgas kvalifikācijas personām tas ir jānomaina, lai novērstu apdraudējumu.

DROŠĪBAS NORĀDĪJUMI

Uzstādīšana BRĪDINĀJUMS

Šo ierīci drīkst uzstādīt tikai kvalificēta persona.

Noņemiet visu iepakojumu.

Neuzstādi un nelieto ierīci bojātu ierīci. Ierīce ir jāuzstāda, jālieto un jāglabā telpā, kur uz grīdas ir vismaz 12,5 m² brīvas vietas. Izpildiet ierīces komplektācijā ietvertajā uzstādīšanas instrukcijā sniegtos norādījumus. Pārvietojot ierīci, vienmēr rīkojieties piesardzīgi, jo ierīce ir smaga. Vienmēr lietojiet aizsargcimdus. Ņemiet vērā, ka aukstumaģentiem var nebūt smaržas.

Nodrošini, lai ap ierīci varētu cirkulēt gaiss.

Pirms ierīces pievienošanas strāvas avotam uzgaidiet vismaz 4 stundas. Tā ir jārikojas, lai eļļa varētu ieplūst atpakaļ kompresorā. Neuzstādi ierīci radiatoru vai citu karstuma avotu tuvumā. Neuzstādi ierīci tiešā saules gaismā.

Elektriskais savienojums

BRĪDINĀJUMS

Ugunsgrēka un elektriskās strāvas trieciena risks.

Ierīce ir jāpievieno iezemētai kontaktligzdai.

Pārlicinieties, vai nominālo tehnisko datu plāksnītē norādītie

elektrības dati atbilst strāvas avota parametriem. Ja tā nav, sazinieties ar elektriķi.

Vienmēr izmantojiet pareizi uzstādītu triecienizturīgu kontaktligzdu.

Neizmantojiet vairāku ligzdu adapterus un pagarinātājus. Uzmanieties, lai nesabojātu elektriskās sastāvdaļas (piemēram, strāvas padeves kontaktdakšu un kabeli).

Ja ir jānomaina elektriskās sastāvdaļas, sazinieties ar pilnvaroto apkopes centru vai elektriķi.

Strāvas padeves kabelim ir jāatrodas zemāk par strāvas padeves kontaktdakšu.

Pievienojiet strāvas padeves kontaktdakšu elektrotīkla kontaktligzdai tikai uzstādīšanas beigās.

Pēc uzstādīšanas pārliecinieties, vai var piekļūt strāvas padeves kontaktdakšai.

Nevelciet strāvas padeves kabeli, lai atvienotu ierīci. Vienmēr velciet strāvas padeves kontaktdakšu.

Lietošana

BRĪDINĀJUMS

Savainojumu, apdegumu, elektriskās strāvas trieciena vai ugunsgrēka risks.

Nemainiet šīs ierīces tehniskos datus.

Uzmanieties, lai nesabojātu aukstumaģenta kontūru. Tas satur propānu (R290), kas ir dabasgāze ar augsta līmeņa saderību ar vidi. Šī gāze ir viegli uzliesmojoša.

Aukstumaģenta kontūra bojājumu gadījumā nodrošini, lai telpā nebūtu liesmu un uzliesmošanas avotu. Izvēdiniet telpu. Nenovietojiet uz ierīces vai tās tuvumā viegli uzliesmojošus produktus vai ar šādiem produktiem samitrinātus priekšmetus.

Likvidēšana

BRĪDINĀJUMS

Savainojumu risks.

Atvienojiet ierīci no strāvas avota. Nogrieziet strāvas padeves vadu un izmetiet to.

Šīs ierīces aukstumaģenta kontūrs nav kaitīgs ozonam. Sazinieties ar pašvaldības iestādi, lai uzzinātu, kā pareizi likvidēt ierīci. Nesabojāiet siltummaiņa tuvumā esošo dzesēšanas bloka daļu.

GAISA KONDICIONĒTĀJA IESTATĪŠANA UZSTĀDĪŠANAI

SVARĪGI:

2. Uzstādīšana

PIRMS PIRMĀS LIETOŠANAS

Pirms lietošanas ļaujiet ierīcei pastāvēt

4 stundas

Vietas izvēle

Svarīgi

1. Šo gaisa kondicionētāju var ērti pārvietot iekštelpās, pārvietošanas laikā ierīci uzturot vertikālā stāvoklī. Gaisa kondicionētājs jānovieto uz līdzenas virsmas.

Šo gaisa kondicionētāju neuzstādi un nedarbiniet vannas istabā vai citā mitrā vidē.

Tā kā pārnēsājams gaisa kondicionētājs ir uz riteņiem, tam var viegli mainīt pozīcijas.

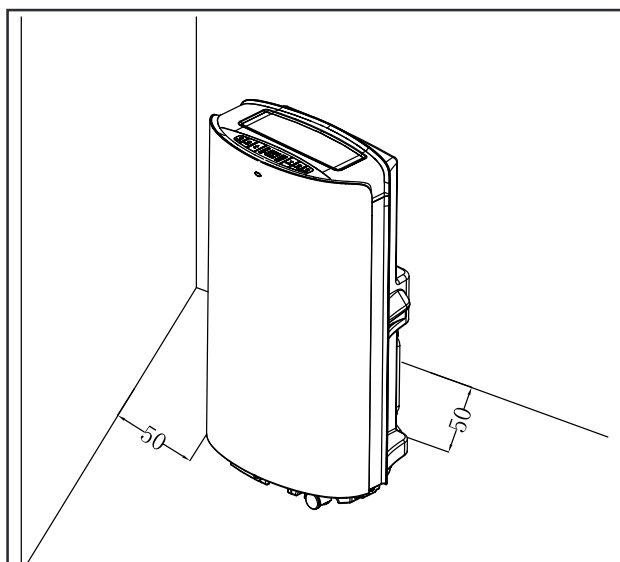
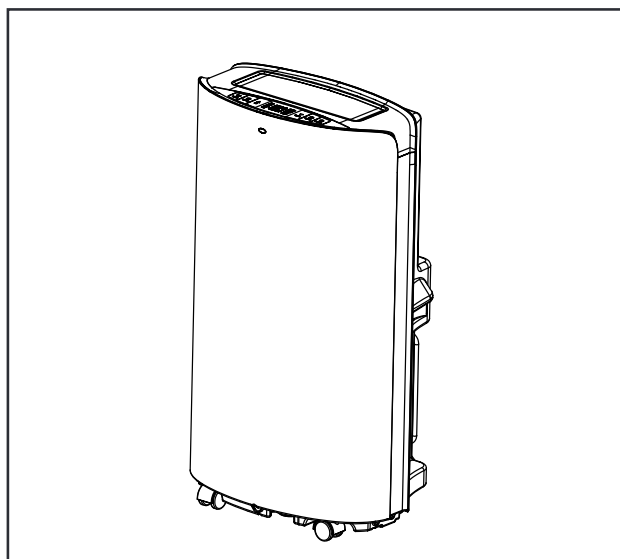
Kad ieslēdzas siltums, vienkārši pārvietojiet pārnēsājamo gaisa kondicionētāju telpā un varat ātri sākt telpas dzesēšanu. Lai nodrošinātu optimālu gaisa kondicionētāja efektivitāti, tas jādarbina slēgtā zonā.

Aizveriet visas durvis, logus un citas ārējas telpas atveres. Gaisa kondicionētāja efektivitāte ir atkarīga no temperatūras un mitruma līmeņa.

2. Novietojiet gaisa kondicionētāju tur, kur netiek ierobežota gaisa plūsma caur ierīces priekšpusi.

3. Gaisa kondicionētājam, kas darbojas telpā, būs neliela ietekme vai nebūs ietekmes uz blakusesošas slēgtās novietnes zonu, piemēram, skapi, ja zonā un ārpus tās nebūs atbilstošas gaisa cirkulācijas. Pārnēsājams gaisa kondicionētājs izvada siltumu no iekārtas ar ventilācijas šļūteni caur logu vai izplūdes gaisa vārstu.

4. Minimālais nepieciešamais atstatums starp gaisa kondicionētāju un tuvāko priekšmetu ir 50 cm. Atsaucei skatiet attēlu.



PRODUKTA APRAKSTS

3. Produkta apraksts

A

1. Galvenā gaisa kondicionētāja ierīce
2. Tālvadības pults
3. Baterijas
4. Lietotāja rokasgrāmata
5. Apaļais savienotājs
6. Karstā gaisa izplūdes šļūtene
7. Adapteris
8. Logu komplekts

B

1. Galvenā gaisa kondicionētāja sānu skats

C

1. Priekšējais panelis
2. Tālvadības saņemšanas logs
3. Vadības panelis
4. Augšējais panelis
5. Horizontālā žalūzija
6. Labais apdares panelis
7. Aizmugurējā paneļa augšējā filtra montāža
8. Tālvadības pults nodalījums
9. Kreisais apdares panelis
10. Strāvas vads ar spraudni
11. Tinumu statnis
12. Aizmugurējā paneļa apakšējā filtra montāža
13. Drenāžas vāks
14. Universālais ritenis
15. Sānu paneļa filtra montāža
16. Aizsargrežģis
17. Stiprinātājs
18. Rokturis
19. Izplūdes šļūtenes apaļais savienotājs
20. Izplūdes šļūtene
21. Izplūdes šļūtenes adapteris
22. Logu komplekti

D

1. Galvenā gaisa kondicionētāja aizmugures skats

E

1. Gaisa izplūde
2. Vadības panelis

F

1. Vadības panelis

G

1. Poga Taimeris
2. Poga Ātrums
3. Poga Uz augšu
4. Poga Uz leju
5. Režīma poga
6. Barošanas poga
7. Dzesēšanas režīma indikators
8. Sausināšanas režīma indikators
9. Ventilatora režīma indikators
10. Enerģijas pārvēršanas režīma indikators
11. WiFi indikators
12. Automātiskās pagriešanas funkcijas indikators
13. Automātiskās tīrīšanas funkcijas indikators
14. Pilna ūdens indikators
15. Miega režīma indikators
16. Ventilatora ātruma indikators
17. Taimera indikators
18. Taimera laika indikators
19. Temperatūras indikators

H

1. Filtru izņemšana

I

1. Satveriet filtra rokturi un uzmanīgi izvelciet to pareizā virzienā.
2. Pēc nepieciešamības netīrās daļiņas filtrā notīriet ar tīrīšanas līdzekli.
3. Saudzīgi iegremdējiet un mazgājiet filtru siltā ūdenī (apmēram 40 °C), kas sajaukts ar neitrālu tīrīšanas līdzekli, un pēc tam rūpīgi noskalojiet un izžāvējiet to ēnā.

J

1. Stiprinātājs
2. Sprauga
3. Izplūdes šļūtenes montāža

K

1. Tālvadības pults kārbā
2. Tālvadības pults
3. Tālvadības pults turēšanas virziens

L

1. Poga Uz augšu un Uz leju
2. Poga Ventilatora ātrums
3. Poga Taimeris
4. Poga Miega režīms
5. LCD displeja logs
6. Barošanas poga
7. Režīma poga
8. Automātiskās pagriešanas poga
9. Automātiskās tīrīšanas poga

M

1. Pirms tālvadības pults lietošanas ievietojiet tajā AAA akumulatorus.

N

1. Drenāžas vāks
2. Drenāžas šļūtene

O

1. Drenāžas vāks
2. Drenāžas aizbāznis
3. Ūdens izvade

P

1. Pagariniet vienu izplūdes šļūtenes galu un uzskrūvējiet tam galu bez apaļā savienotāja spraugas pretēji pulksteņrādītāja kustības virzienam vismaz par 3 apgriezieniem.
2. Pagariniet otru izplūdes šļūtenes galu un uzskrūvējiet tam adapteri pretēji pulksteņrādītāja kustības virzienam vismaz par 3 apgriezieniem.
3. Izplūdes šļūtenes montāža

Q

1. Turiet abus logu blīvējuma plāksņu galus, lai tie labi atbilstu loga malām, nodrošinot blīvējuma efektu.

R

1. Lietošanai gatavs gaisa kondicionētājs

EKSPLUATĀCIJAS REŽĪMU FUNKCIJAS UN UZSTĀDĪŠANAS APRAKSTI

Uzstādīšana

Ja iekārta ir transportēta horizontāli, pirms lietošanas novietojiet to vertikālā stāvoklī uz 4 stundām.

Novietojiet iekārtu uz līdzenas un cietas virsmas.

Neuzstādiet iekārtu vannas istabā vai citā mitrā vidē.

Pārliecinieties, vai gaisa plūsma nav nosprostota, un vienmēr uzturiet vismaz 50 cm attālumu līdz apkārtējām virsmām.

IZPLŪDES ŠĻŪTENES UZSTĀDĪŠANA

1. Pagariniet vienu izplūdes šļūtenes galu un uzskrūvējiet tam galu bez apaļā savienotāja spraugas pretēji pulksteņrādītāja kustības virzienam vismaz par 3 apgriezieniem.
2. Pagariniet otru izplūdes šļūtenes galu un uzskrūvējiet tam adapteri pretēji pulksteņrādītāja kustības virzienam vismaz par 3 apgriezieniem.
3. Pagariniet izplūdes šļūteni un izvadiet to ārā pa durvīm vai logu.

LOGU KOMPLEKTA IZMANTOŠANA

1. Lai izmantotu logu komplektu, atveriet logu un novietojiet logu komplektu horizontāli vai vertikāli atkarībā no loga.
2. Noregulējiet loga komplekta garumu un nostipriniet to ar skrūvēm.
3. Aizveriet logu un pievienojiet izplūdes šļūtenes adapteri loga komplektam.

LOGU KOMPLEKTA IZMANTOŠANA

Pirms tālvadības pults izmantošanas ievietojiet tajā AAA akumulatorus.

1. Nospiediet un pabīdīet akumulatora vāciņu tālvadības pults aizmugurē, tad varat noņemt vāciņu.
2. Akumulatora nodalījumā ievietojiet divus jaunus sārma AAA akumulatorus, ņemot vērā polaritāti.
3. Uzlieciet akumulatoru nodalījuma vāciņu un nodrošiniet, lai bloķēšanas izciļņi ar klikšķi nonāk vietā.

Izmantojiet tikai sārma akumulatorus. Neizmantojiet lādējamus akumulatorus. Veicot nomaiņu, vienmēr ar jauniem aiz-

stājiet abus vecos akumulatorus (nekombinējiet vecos un jaunus).

Ja gaisa kondicionētājs ilgāku laiku netiks lietots, izņemiet akumulatorus no tālvadības pults.

Lietošanas instrukcija

1. Iekārtas palaišana. Nospiediet ieslēgšanas/izslēgšanas pogu, lai palaistu un apturētu iekārtu.
2. Atlasiet režīmu. Iekārtai ir 4 dažādi režīmi: dzesēšana, sausināšana, enerģijas saglabāšana un ventilatora režīms. Nospiediet MODE (Režīms) vadības panelī vai uz tālvadības pults, lai atlasītu režīmu.

- Dzesēšanas režīms: Iestatiet vēlamo temperatūru, izmantojot bultiņas vadības panelī vai uz tālvadības pults. Displejā tiek parādīta iestatītā temperatūra.
- Sausināšana. Sausināšanas režīmā ventilators darbojas tikai ar mazu ātrumu. Nevar iestatīt temperatūru.
- Ventilatora režīms. Kompresors apstājas, darbojas tikai ventilators. Nevar iestatīt temperatūru.
- Enerģijas pārvēršanas režīms. Zems enerģijas patēriņš enerģijas enerģijas pārvēršanas režīmā. Ja apkārtējās vides temperatūra pārsniedz iestatīto, iekārta darbojas dzesēšanas režīmā. Kad apkārtējās vides temperatūra sasniedz iestatīto, gan kompresors, gan augšējais ventilators pārstāj darboties. Pēc 2 minūtēm un 30 sekundēm augšējais ventilators sāks darboties zemā ātrumā 30 sekundes. Ja kompresors netiek palaists (proti, apkārtējās vides temperatūra ir zemāka par iestatīto temperatūru), augšējais ventilators atkārtoti darbojas šajā režīmā (apstājas uz 2 minūtēm 30 sekundēm / zemas ventilācijas darbība 30 sekundes).

3. Iestatiet taimerī.
 - Lai iestatītu taimerī izslēgšanai, nospiediet pogu TAIMER (Taimeris), kad iekārta darbojas.
 - Lai iestatītu taimerī palaišanai, nospiediet pogu TAIMER (Taimeris), kad iekārta ir izslēgta.

Iestatiet laiku ar augšup un lejup vērstajām bultiņām, kas atrodas vadības panelī vai uz tālvadības pults. Kad taimeris ir aktivizēts, vadības panelī tiek parādīts indikators.

4. Iestatiet ventilatora darbības ātrumu. Vadības panelī nospiediet pogu SPEED (Ātrums), lai izvēlētos ventilatora ātrumu. Nospiediet tālvadības pults pogu FAN (Ventilators), lai izvēlētos ventilatora ātrumu.
5. Pēc Celsija/Fārenheita Vadības panelī vienlaicīgi nospiediet augšup un lejup vērsto bultiņu, lai pārslēgtos starp grādiem pēc Celsija un Fārenheita.
6. Miega režīms. Izmantojiet miega režīmu nakts laikā, un iekārta netraucēs miegu. Dzesēšanas režīmā nospiediet kopā TAIMER (Taimeris) un UP (Uz augšu), lai pārietu miega režīmā. Nospiediet tālvadības pults pogu SLEEP (Miega režīms). Nospiediet vēlreiz, lai deaktivizētu.
7. Automātiskās pagriešanas funkcija. Vienlaicīgi nospiediet pogas TAIMER (Taimeris) un SPEED (Ātrums), lai aktivizētu pagriešanas funkciju. Nospiediet tālvadības pults pogu Auto-swing (Automātiska pagriešana). Nospiediet vēlreiz, lai deaktivizētu.
8. Automātiskās tīrīšanas funkcija. Nospiediet tālvadības pults pogu AUTO-CLEAN (Automātiskā tīrīšana), lai ierīci tīrītu no iekšpuses. Pirms izslēgšanas iekārta tiks tīrīta 3 minūtes.

AIKSARDZĪBAS FUNKCIJAS

Automātiska atkausēšana

Iekārta automātiski veiks atkausēšanu. Atkausēšanas režīmā displejā ir redzams E4 un nav aktīva neviena poga, izņemot ieslēgšanas/izslēgšanas pogu.

Kompresora aizsardzība

Ierīcei ir kompresora aizsardzības funkcija, kas izraisa 3 minūšu palaišanas aizkavi pēc ierīces restartēšanas.

EKSPLUATĀCIJAS REŽĪMU FUNKCIJAS UN UZSTĀDĪŠANAS APRAKSTI

Trauksme: pilna ūdens tvertne

Kad ūdens tvertne ir pilna, iekārta pārtrauks darbu. Displejā parādās rādījuma indikators par pilnu ūdens tvertni, un ir dzirdama brīdinājuma skaņa. Iztukšojiet ūdens tvertni un restartējiet iekārta.

Ūdens izlaišanas instrukcija

Iztukšojiet ūdens tvertni

Atskrūvējiet drenāžas vāku un noņemiet ūdens aizbāzni. Iztukšojiet ūdens tvertni un atkārtoti piestipriniet ūdens aizbāzni un drenāžas vāku.

Piezīmes.

- Uzmanīgi pārvietojiet iekārta, lai izvairītos no noplūdes.
- Notecinot iekārta nedaudz sasveriet atpakaļ.
- Pēc iespējas drīzāk bloķējiet drenāžas caurumu, pirms paplāte ir pilna, ja tā nevar saturēt visu ūdeni iekārtā, lai novērstu ūdens noplūdi un grīdas vai paklāja samirkšanu.
- Ūdens aizbāznis un drenāžas vāks ir jāuzstāda stingri, lai, iekārtai atsākot darbu, jauns kondensāts nesamitrinātu grīdu vai paklāju.

Ūdens šļūtenes pievienošana nepārtrauktai notecināšanai

Atskrūvējiet drenāžas vāku un noņemiet ūdens aizbāzni. Iekārtas caurulei piestipriniet 13 mm ūdens šļūteni. Novietojiet otru ūdens šļūtenes galu drenāžai. Nodrošiniet, lai ūdens varētu tecēt lejup.

Piezīmes.

- Drenāžas šļūtene jāuzstāda, kad paplātē nav ūdens.
- Ieteicams neizmantojot nepārtrauktu drenāžu, ja iekārta ir režīmā COOL (Dzesēšana), lai nodrošinātu pietiekamu ūdens recirkulāciju iekārtā, uzlabojot sistēmas dzesēšanas efektu.
- Ielieciet drenāžas šļūteni nepieejamā vietā, kas nav augstāka par drenāžas caurumu, un uzturiet drenāžas šļūteni taisnu bez liekumiem.

- Nepārtrauktas drenāžas gadījumā pareizi turiet drenāžas vāku un tā aizbāzni.

Gaisa filtrs

Gaisa filtrs novērš putekļu un netīrumu iekļūšanu ierīcē, pagarinot tās paredzēto kalpošanas laiku. Ir svarīgi regulāri iztīrīt filtru. pretējā gadījumā var nopietni sabojāt iekārta. Tādēļ tīriet filtrus vismaz reizi divās nedēļās.

Filtra tīrīšana

1. Izņemiet filtru.
2. Mazgājiet filtru ar siltu ūdeni un maigu tīrīšanas līdzekli. Cita iespēja ir filtru izsūkt ar putekļu sūcēju.
3. Ļaujiet filtram izžūt un ievietojiet to atpakaļ.

Filtra uzstādīšana

Pavērsiet filtra galu pret spraugu, pēc tam viegli iebīdīet filtru spraugā.

Piezīmes.

- Filtru noteikti uzstādiet pie sānu paneļa, pēc tam pie aizmugures paneļa.
- Uzstādiet filtru pretēji noņemšanas virzienam.
- Uzmanīgi uzstādiet filtru vietā, lai to nesabojātu.

Filtra regulāra tīrīšana ir ļoti svarīga; citādi gaisa kondicionētājam var zust jauda un pastāv pat tā nopietnu bojājumu risks.

Glabāšanas norādījumi

Tālvadības pults glabāšana

1. Ievietojiet tālvadības pulti iebūvētajā nodalījumā iekārtas kreisajā pusē.
2. Viegli piespiediet iebūvētā nodalījuma lejasdaļu, lai to atvērtu un izņemtu tālvadības pulti.

Glabāšana sezonas beigās

1. Noskrūvējiet drenāžas vāku un izvelciet aizbāzni, lai pilnībā izlaistu kondensāta ūdeni.

2. Turpiniet darbināt iekārta ventilatora režīmā pusi dienas, lai pilnībā izžvētu iekārtas iekšpusi, lai novērstu pelējuma veidošanos.
3. Izslēdziet iekārta, izvelciet kontaktdakšu un pēc tam aptiniet strāvas vadu ap stiepli tinuma statni, ievietojiet spraudni universālā stiprinājuma caurumā iekārtas aizmugurējā panelī, uzstādiet ūdens aizbāzni un drenāžas vāku.
4. Izņemiet siltuma izplūdes šļūtenes montāžu, notīriet un glabājiet to pareizi.

Piezīmes.

- Izņemšanas laikā izplūdes šļūtenes komplektu turiet ar abām rokām.
- Stiprinājumus ar iekšiem paspiediet malu virzienā uz izplūdes gaisa izvadi, pēc tam izvelciet izplūdes šļūtenes montāžu.

5. Pareizi iesaiņojiet gaisa kondicionētāju mīkstā plastmasas maisā un nolieciet sausā vietā, pienācīgi aizsargājot pret putekļiem, un sargājiet iekārta no bērniem.

6. Izņemiet akumulatorus no tālvadības pults un pareizi noglabājiet.

Piezīme.

- Nodrošiniet iekārtas glabāšanu sausā vietā.
- Visi iekārtas piederumi ir pienācīgi jāaizsargā kopā.

Uzturēšana

Notīriet kondensatoru ar Wood's tīrīšanas līdzekli. Vairāk par iekārtas tīrīšanu lasiet vietnē woods.se. Notīriet iekārta ar mīkstu, mitru drānu. Neizmantojiet šķīdinātājus vai spēcīgus tīrīšanas līdzekļus, jo tā var sabojāt ierīces virsmu.

Tehniskā apkope

Ja gaisa kondicionētājam ir nepieciešama tehniskā apkope, vispirms jāsazinās ar vietējo mazumtirgotāju. Visām garantijas prasībām ir nepieciešams pirkuma apliecinājums.

PROBLĒMA	CĒLONIS	RISINĀJUMS
Nevar palaist iekārtu	Strāvas padeves kļūme Pilna ūdens tvertne, izgaismota tās ikona Pārāk zema vai pārāk augsta vides temperatūra Telpas temperatūra ir zemāka par iestatīto dzesēšanas režīmā vai augstākā par iestatīto sildīšanas režīmā	Savienojiet ierīci ar strāvas ligzdu un ieslēdziet Noteciniet ierīcē uzkrāto ūdeni. Šo iekārtu ieteicams lietot no 8 līdz 35 Mainiet iestatīto temperatūru
Slikta dzesēšanas ietekme	Tieša saules gaisma Atvērtas durvis un logi, papildīta telpa vai citi siltuma avoti Netīrs filtrs Aizsērējusi gaisa ieplūde vai izplūde	Aizveriet loga aizkaru Aizveriet durvis un logu, aizvēciet citus siltuma avotus Iztīriet vai nomainiet filtra sietu Likvidējiet nosprostojumus
Liels troksnis	Iekārta novietota uz nelīdzenas virsmas.	Novietojiet iekārtu līdzenā un cietā vietā (var samazināt troksni)
Kompresors nedarbojas	Pārkaršanas aizsardzības uzsākšana	Pagaidiet, līdz tiek samazināta temperatūra; iekārta automātiski atsāks darbību
Nedarbojas tālvadības pults	Pārāk liels attālums Tālvadības pults neraida signālu uz iekārtas uztvērēju. Akumulatoriem nav elektrības	Nolieciet tālvadības pulti gaisa kondicionētāja tuvumā un nodrošiniet gaisu pie iekārtas signālu uztvērēja. Nomainiet akumulatorus
Ja rodas problēmas ar sausinātāju, skatiet tālāk norādīto informāciju par problēmu novēršanu. Ja neviens no tālāk norādītajiem risinājumiem nenovērš problēmu, lūdz, sazinieties ar mazumtirgotāju par gaisa kondicionētāja apkopi.		

Kļūdu kodi		
CH01	Telpas temperatūras sensora kļūme	Pārbaudiet telpas temperatūras sensoru un saistītās shēmas
CH02	Caurules temperatūras sensora kļūme	Pārbaudiet caurules temperatūras sensoru un saistītās shēmas
E4	Aizsardzība pret sasalšanu	Atjaunojiet funkcijas automātiski, kad ir beigusies aizsardzība pret sasalšanu.
FL	Pilna ūdens tvertne šasijā	Izlaidiet kondensātu un vēlreiz palaidiet iekārtu

Garantija

2 gadu lietotāja garantija pret ražošanas kļūmēm. Lūdzu, ņemiet vērā, ka garantija ir derīga, tikai uzrādot pirkuma čeku. Garantija ir spēkā tikai tad, ja ierīce tiek izmantota atbilstoši šajā rokasgrāmatā sniegtajiem norādījumiem un brīdinājumiem par drošību. Garantija neattiecas uz jebkādiem bojājumiem, kas radušies nepareizas rīcības dēļ ar ierīci.

PIEZĪME. 2 gadu garantija attiecas tikai uz lietošanu mājstai-
niecībās, nevis uz ierīces komerciālu izmantošanu.



PIEZĪME.

Reģistrējieties vietnē www.warranty-woods.com un izlasiet, kā saņemt paplašināto garantiju. Lai iegūtu papildinformāciju, apmeklējiet vietni woods.se.

Ieteicamie lietošanas diapazoni

Labākā dzesēšanas ekspluatācijas vides temperatūra ir 17-35 °C. Iekārta darbojas līdz + 45 °C. Drošinātāja parametrs: $\varnothing 5,0 \times 20$ mm 3,15 A, 250 V maiņstrāva.

TEHNISKIE DATI

	AC Cortina 12K Duo
Dzesēšanas jauda	3.520 W
Enerģijas patēriņš	1.350 W
Gaisa plūsma:	420m ³ / h
Enerģijas klase	A
Sausināšana	33,6 L / 24h
Temperatūras iestatījums	17-30°C
Darba temperatūra	16-45°C
EER	2,6
Izplūdes šļūtenes garums	1,5 m
Izplūdes šļūtenes diametrs	15 cm
Aukstumaģenta gāze	R290/260g
Skaņas līmenis decibelos	56dB / 64dB
Svars	33,4 kg
Izmēri (mm), G x Dz x A	850x471x355

*Var tikt veiktas tehniskas izmaiņas un uzlabojumi. Visas vērtības ir aptuvenas un var atšķirties ārēju apstākļu, piemēram, temperatūras, ventilācijas un mitruma, dēļ.



*Šis marķējums norāda, ka ES valstīs šo produktu nedrīkst izmest kopā ar sadzīves atkritumiem. Lai novērstu nekontrolētas atkritumu izmešanas izraisīto iespējamo kaitējumu videi un cilvēku veselībai, utilizējiet produktu atbildīgi, lai veicinātu materiālu resursu ilgtspējīgu izmantošanu. Nododiet ierīci pārstrādei, izmantojot vietējos atgriešanas/savākšanas pakalpojumus, vai sazinieties ar izplatītāju, pie kura iegādājāties izstrādājumu. Mazumtirgotājs var parūpēties par videi drošu produkta atkārtotu pārstrādi.

WiFi funkcija

1. Lejupielādējiet un instalējiet LIETOTNI

Lejupielādējiet lietotni Woods Connect no App Store vai Google Play

1. Reģistrēties / pieteikties / aizmirsta parole

Reģistrēties

Ja jums nav lietotnes konta, reģistrējiet kontu vai reģistrējieties ar īsziņā saņemto verifikācijas kodu. Šajā lapā ir aprakstīts reģistrācijas process.

1. Pieskarieties, lai atvērtu reģistrācijas lapu

2. Sistēma automātiski atpazīst jūsu valsti/apgabalu. Varat arī atlasīt savu valsts kodu. Ievadiet mobilā tālruņa numuru / e-pasta adresi un pieskarieties Tālāk.

3. Ja ievadījāt mobilā tālruņa numuru, ievadiet verifikācijas kodu no ziņojuma un paroli, pieskarieties Apstiprināt, lai pabeigtu reģistrāciju.

4. Ja ievadījāt e-pasta adresi, ievadiet paroli un pieskarieties Apstiprināt, lai pabeigtu reģistrāciju.

2. Reģistrējieties ar lietotājevārdu un paroli vai verifikācijas kodu, izmantojot īsziņu

Reģistrējieties ar lietotājevārdu un paroli

1. Sistēma automātiski atpazīst jūsu valsti/apgabalu. Varat arī atlasīt savas valsts kodu. Ievadiet mobilā tālruņa numuru / e-pasta adresi un pieskarieties Tālāk

2. Ievadiet savu reģistrēto mobilā tālruņa numuru vai e-pasta adresi un paroli, lai pieteiktos.

Pierakstieties ar verifikācijas kodu

1. Pieskarieties opcijai Reģistrēties ar īsziņas verifikāciju jaunai lapai

2. Sistēma automātiski atpazīst jūsu valsti/apgabalu.

Varat arī pats atlasīt savas valsts kodu.

Aizmirsta paroli

Ja aizmirsta parole, lūdzu, veiciet šīs procedūras:

1. Pieskarieties opcijai Aizmirsta parole

2. Sistēma automātiski atpazīst jūsu valsti/apgabalu. Varat arī pats atlasīt savas valsts kodu. Ievadiet mobilā tālruņa numuru / e-pasta adresi un pieskarieties Tālāk.

3. Ievadiet verifikācijas kodu no ziņojuma/e-pasta, ievadiet jauno paroli un pieskarieties Apstiprināt, lai pabeigtu.

WiFi Woods Connect atbalsta šīs funkcijas:

Ieslēgšana/izslēgšana

Dzesēšanas režīms

Sausināšanas režīms

Ventilatora režīms

Eko režīms

Temperatūras iestatījumi

Ātrums: Zems, vidējs un augsts

Taimeris: 1-24 h

Miega režīms: Ieslēgt/izslēgt

Automātiska tīrīšana: Ieslēgt/izslēgt

Bloķēšana: Ieslēgt/izslēgt

Pēc Celsija/Fārenheita

Pagriešana: Ieslēgt/izslēgt

3. Sekojiet procedūrām LIETOTNĒ, lai izbaudītu WiFi.

Smart Home

Ja jums ir Smart Home izstrādājums, lūdzu veiciet 1.-3. darbību.

Trešās personas piekļuves pakalpojums: Pieskarieties trešās personas balss pakalpojuma ikonai, lai skatītu, kā izveidot savienojumu ar pakalpojumu. Jūs atradīsiet šīs ikonas

Smart Home Woods Connect atbalsta šīs funkcijas ar balss komandu:

Ieslēgšana/izslēgšana

Temperatūras iestatījumi

Papildinformāciju skatiet šeit:

<https://woods.se/en/>

WOOD'S TAGAB PUHTA JA TERVISLIKU SISEÕHU

Wood'si brändi lõi üle 65 aasta tagasi perekond Wood Kanada linnas Guelphis, Ontarios. Siin alustas Wood's 1950. aastal õhukuivatite arendamist ja tootmist. Sellest ajast peale on Wood's aidanud mitmesajal tuhandel majapidamisel ennetada hallitusest ja niiskusest tingitud kahjustusi ja hingata puhtamat õhku. Meie portatiivsed õhukonditsioneerid sobivad kasutamiseks enamikes kliimades, kus nende võimsus on piisav isegi erinevatel temperatuuridel ja niiskustasemetel. Need toimivad tõhusalt ruumides, kus temperatuur võib tõusta kõrgeks, nagu näiteks elutoad, kontorid või magamistoad. Õhukonditsioneer eemaldatava kuuma õhu kogus sõltub ruumi temperatuurist, niiskustasemest ja seadme asukohast. Ka välised ilmastikutingimused võivad õhukonditsioneerit töö kvaliteeti mõjutada.

Wood'si õhukonditsioneerid töötavad ohutult ja on ette nähtud pikaajaseks kasutuseks.

KUIDAS ÕHUKONDISIOONER TÖÖTAB?

Madalrõhk tagab külma õhu. Õhukonditsioneerit põhielement on jahutusvedelik, mis madalrõhu all muundatakse gaasiks. Protsessi käigus „tekib külm“, mis edastatakse ruumi sisse, hoides samas sooja õhu väljaspool. Jahutusvedelik läbib paisumisventiili ja suundub torru, kus rõhk on madal. Jahutusvedelik aurustub ja muutub gaasiks. Protsessi käigus imatakse ümbritsevast keskkonnast soojust ja toru jahutatakse. Ventilator puhub külma õhu tupp. Gaas läbib kompressori, mis suurendab rõhku ja muundab gaasi vedelikuks. Selle protsessi käigus vabaneb soojust, mis juhitakse vastasküljel asuvate torudeni ja mille ventilator välja puhub. Termostaat seiskab seadme, kui siseõhk on piisavalt külm.

1. TURVAHOIATUSED



Tuleohtlik materjal. See seade sisaldab R290/propaani, tuleohtlikku külmaainet.



Sellest kasutusjuhendist leiate ohutusala teavet.



Lugege tehnilist juhendit.



Lugege kasutusjuhendit.

OHUTUSALANE TEAVE

Enne seadme paigaldamist ja kasutamist lugege komplektis olev juhend hoolikalt läbi. Tootja ei ole vastutav, kui vale paigaldus ja kasutus toob kaasa kehavigastusi ning kahjusid. Hoidke kasutusjuhend tulevikus kasutamiseks alati seadme juures.

Laste ja haavatavate isikute ohutus



HOIATUS

Kehavigastuste või püsiva tervisekahjustuse oht. Antud seadet võivad kasutada 8-aastased ja vanemad lapsed ning vähenenud füüsiliste, sensoorsete või vaimsete võimetega isikud või vastavate kogemusteta ja teadmisteta isikud, kui nad teevad seda järelevalve all või neile on õpetatud seadme ohutut kasutamist ning nad mõistavad seonduvaid ohtusid.

Ärge laske lastel seadmega mängida.

Alla 3-aastaseid lapsi ei tohi lubada seadme juurde, välja arvatud pideva järelevalve korral. Hoidke pakendi kõiki detaile lastele kättesaamatult.

Lapsed ei tohi ilma järelevalveta seadet puhastada ja hooldada.

Üldine ohutus

See seade on mõeldud kasutamiseks majapidamistes ja samalaadsetes kasutuskohtades, näiteks: peretuba, elutuba, töötajate köögi-ala kauplustes, kontorites ja muudes töökeskkondades. Andmeplaat paikneb õhukonditsioneerit taga või küljel.

Vältige ventilatsioonivade blokeerimist.

Ärge kasutage sulatuse kiirendamiseks mehaanilisi võtteid või muid meetodeid, mis pole tootja poolt soovitatud. Seadet ei tohi hoiustada ruumis, kus on aktiivsed süttimisallikad (nt lahtine tuli, töötav gaasiseade või töötav elektriline küttekeha). Ärge torgake läbi ega põletage. Võtke arvesse, et külmutusagensid võivad olla lõhnutud. Ärge piserdage seadet puhastamiseks veega ega kasutage auru. Puhastage seadet niiske lapiga. Kasutage ainult neutraalseid pesuvahendeid. Ärge kasutage abrasiivseid tooteid, abrasiivseid puhastuslappe, lahusteid ega metallesemeid. Kui elektritoitejuhe on kahjustatud, peab õhu vältimiseks vahetama selle tootja, tootja volitatud

teeninduskeskus või sarnase kvalifikatsiooniga isikud.

OHUTUSALASED JUHISED

Paigaldus HOIATUS



Antud seadet võib paigaldada ainult kvalifitseeritud isik. Eemaldage pakendi kõik detailid. Ärge paigaldage ega kasutage kahjustatud seadet. Seade tuleb paigaldada ja seda kasutada ning hoiustada ruumis, mille pindala on suurem kui 12,5 m². Järgige seadmega komplektis olevat paigaldusjuhendit. Olge seadme liigutamisel alati ettevaatlik, kuna see on raske. Kandke alati kaitsekindaid. Võtke arvesse, et külmutusagensid võivad olla lõhnutud.

Kindlustage, et õhk pääseks seadme ümber liikuma. Oodake enne seadme elektritoitega ühendamist vähemalt 4 tundi. See võimaldab õlil tagasi kompressorisse voolata. Ärge paigaldage seadet radiaatorite või muude küttekehade lähedusse. Ärge paigaldage seadet otsese päikesevalguse kätte.

Elektriühendus

HOIATUS



Tulekahju- ja elektrilöögioht. Seade tuleb ühendada maandusega pistikupesasa. Veenduge, et elektritoide vastaks andmeplaadil toodud elektriandmete. Kui mitte, võtke ühendust elektrikuga.

Kasutage alati õigesti paigaldatud elektrilöögikindlat pistikupesat. Ärge kasutage jaoturadaptereid ja pikendusjuhtmeid.

Kindlustage, et te ei kahjustaks elektrilisi komponente (nt elektritoitepistik, elektritoitekaabel). Elektriliste komponentede vahetamiseks võtke ühendust volitatud teeninduskeskuse või elektrikuga. Elektritoitejuhe peab jääma elektritoitepistikust madalamale. Ühendage elektritoitepistik pistikupesasa alles paigalduse lõpus. Kindlustage, et pärast paigaldamist oleks võimalik elektritoitepistikule ligi pääseda. Ärge tõmmake seadme vooluvõrgust lahti ühendamiseks elektritoitekaablist. Tõmmake alati elektritoitepistikust.

Kasutus

HOIATUS



Kehavigastuste, põletuste, elektrilöögi- või tulekahjuoht. Ärge muutke seadme tehnilisi omadusi.

Olge ettevaatlik, et mitte kahjustada külmutusagensi torustikku. See sisaldab propaani (R290), looduslikku gaasi, millele rakenduvad ranged keskkonnanõuded. See gaas on kergesti süttiv.

Kui külmutusagensi torustik saab vigastada, kindlustage, et ruumis ei oleks lahtist tuld ega süüteallikaid. Õhutage ruumi. Ärge pange seadme lähedale ega selle peale kergesti süttivaid tooteid ega esemeid, mis on kergesti süttivate vedelikega koos.

Kasutuselt kõrvaldamine

HOIATUS



Kehavigastuste oht. Ühendage seade vooluvõrgust lahti. Eemaldage elektritoitekaabel ja kõrvaldage see kasutuselt. Antud seadme külmutusagensisüsteem on osoonisõbralik. Võtke ühendust vastava kohaliku asutusega, et saada teavet selle kohta, kuidas seade nõuetekohaselt kasutuselt kõrvaldada. Ärge kahjustage jahutusseadme osa, mis paikneb soojusvaheti lähedal.

ÕHUKONDITSIONEERI VALMISPANEK PAIGALDUSEKS

TÄHTIS TEAVE:

2. Paigaldus

ENNE ESMAKORDSET KASUTAMIST

Laske seadmel enne kasutamist 4 tundi seista

Asukoha valimine

Tähtis

1. Õhukonditsioneer võib mugavalt siseruumides ringi liigutada; hoidke seadet selle teisaldamise ajal püstises asendis. Õhukonditsioneer tuleb asetada tasasele pinnale.

Ärge paigaldage ega kasutage seda õhukonditsioneeride vannitoas või mõnes muus märjas keskkonnas.

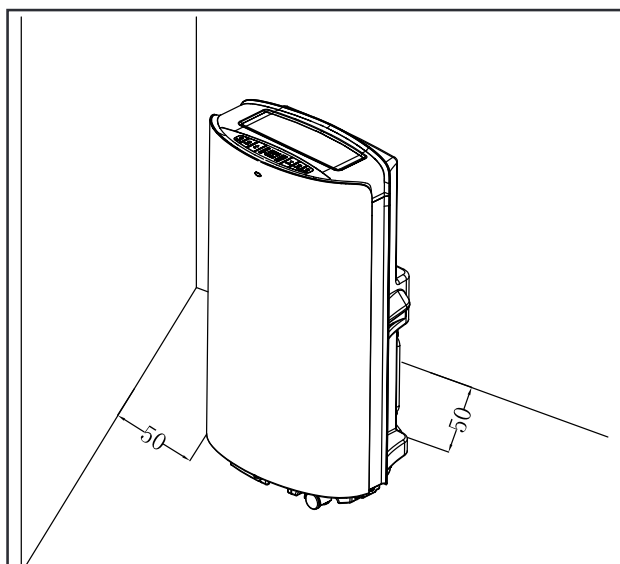
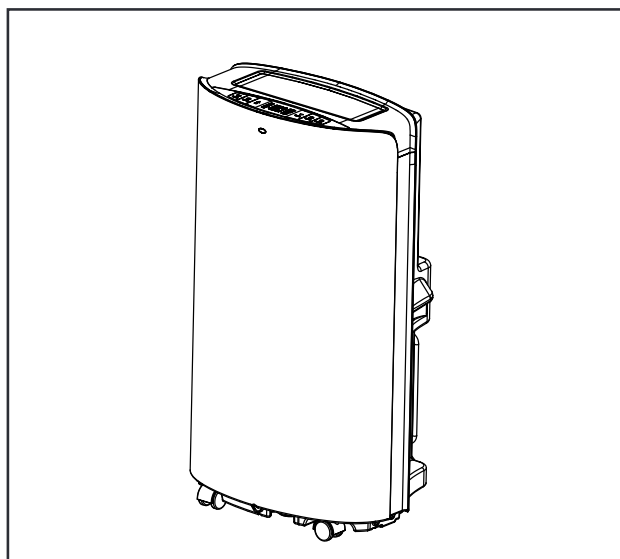
Kuna portatiivne õhukonditsioneer liigub ratastel, on lihtne selle asukohta muuta. Kui ruum muutub kuumaks, viite lihtsalt oma portatiivse õhukonditsioneeride sinna ja saate kiiresti alustada ruumi jahutamist. Õhukonditsioneer tuleb käitada suletud ruumis, et selle toime oleks kõige tõhusam.

Sulgege kõik ukSED, aknad ja muud ruumi viivad välisavad. Õhukonditsioneeride tõhusus sõltub temperatuurist ja niiskustasemest.

2. Asetage õhukonditsioneer kohta, kus õhuvool läbi seadme esiosa ei ole takistatud.

3. Ruumis töötav õhukonditsioneer mõjutab vähe või ei mõjuta üldse õhu kuivatamist külgsuunas suletud hoiuruumis nagu näiteks kapp, välja arvatud juhul, kui on piisav õhuringlus hoiuruumi sisse ja sealt välja. Portatiivne õhukonditsioneer suunab kuumuse seadmest välja ventilatsioonitoru kaudu läbi akna või väljalaskeklapi.

4. Õhukonditsioneeride ja lähima objekti vahel peab olema vähemalt 50 cm vahemaad. Vt pilti.



TOOTEKIRJELDUS

3. Toote kirjeldus

A

1. Õhukonditsioneeri põhiseade
2. Kaugjuhtimispuul
3. Patareid
4. Kasutusjuhend
5. Ümar ühendusdetail
6. Sooja õhu väljalasketoru
7. Adapter
8. Aknakomplekt

B

1. Õhukonditsioneeri põhiseadme külgsaade

C

1. Esipaneel
2. Kaugjuhtimispuuldi vastuvõtuaken
3. Juhtpaneel
4. Ülemine paneel
5. Horisontaalne ventilatsioonitava
6. Parempoolne iluliist
7. Ülemine filter, tagapaneel
8. Kaugjuhtimispuuldi pesa
9. Vasakpoolne iluliist
10. Toitejuhe pistikuga
11. Juhtmehoidik
12. Alumine filter, tagapaneel
13. Äravoolutoru kate
14. Universaalratas
15. Küljepaneeli filter
16. Kaitsevõre
17. Kinnitus
18. Käepide
19. Väljalasketoru ümarühendus
20. Väljalasketoru
21. Väljalasketoru adapter
22. Aknakomplektid

D

1. Õhukonditsioneeri põhiseadme tagantvaade

E

1. Õhu väljapuhe
2. Juhtpaneel

F

1. Juhtpaneel

G.

1. Taimeri nupp
2. Kiiruse nupp
3. Nupp „üles“
4. Nupp „alla“
5. Režiiminupp
6. Toitenupp
7. Jahutusrežiimi indikaator
8. Kuivatusrežiimi indikaator
9. Ventilaatorirežiimi indikaator
10. Energiasäästurežiimi indikaator
11. WiFi-indikaator
12. Automaatse pöördfunktsiooni indikaator
13. Automaatpuhastusfunktsiooni indikaator
14. Täis veepaaki näitav indikaator
15. Unerežiimi indikaator
16. Ventilaatori kiiruse indikaator
17. Taimeri indikaator
18. Taimeri kellaja indikaator
19. Temperatuuri indikaator

H.

1. Kuidas eemaldada filtreid

I

1. Haarake filtri käepidemest ja tõmmake filter õrnalt õiges suunas välja.
2. Puhastage filtrist määratud osakesed vajaduse korral puhastusvahendiga.
3. Kastke filter ettevaatlikult neutraalse puhastusvahendiga segatud sooja vette (ca 40 °C), peske, loputage ning kuivatage seejärel hoolikalt varjulises kohas.

J

1. Kinnitus
2. Pesa
3. Väljalasketoru montaaž

K

1. Kaugjuhtimisseade
2. Kaugjuhtimispuul
3. Kaugjuhtimispuuldi hoidmise suund

L

1. Üles- ja alla-nupp
2. Ventilaatori kiiruse nupp
3. Taimeri nupp
4. Unerežiimi nupp
5. LCD-ekraani aken
6. Toitenupp
7. Režiiminupp
8. Automaatse pöördfunktsiooni nupp
9. Automaatpuhastuse nupp

M.

1. Enne kaugjuhtimispuuldi kasutamist paigaldage sellesse AAA-tüüpi patareid.

N

1. Äravoolutoru kate
2. Äravooluvoolik

O

1. Äravoolutoru kate
2. Äravoolutoru veekork
3. Vee väljalaskmine

P

1. Pikendage väljalasketoru ühte otsa, keerake sellele ilma ümara ühendusdetaili pesata ots, tehes vähemalt 3 ringi vastupäeva.
2. Pikendage väljalasketoru teist otsa, keerake sellele adapter, tehes vähemalt 3 ringi vastupäeva.
3. Väljalasketoru montaaž

Q.

1. Tihendi efekti tagamiseks peavad akna tihendusplaatide kaks otsa sobituma hästi akna äärtele.

R

1. Kasutusvalmis õhukonditsioneer

TÖÖREŽIIMIDE FUNKTSIOONID JA PAIGALDUSKIRJELDUSED

Paigaldus

Kui seadet on transporditud horisontaalasendis, hoidke seda 4 tundi enne selle kasutamist püstises asendis.

Asetage seade tasasele ja kindlale pinnale. Ärge paigaldage seadet vannitubadesse või muudesse märgadesse keskkonda-

Veenduge, et õhuvool ei oleks blokeeritud, hoidke alati vähemalt 50 cm kaugusel ümbritsevatest pindadest.

VÄLJALASKETORU PAIGALDAMINE

1. Pikendage väljalasketoru ühte otsa, keerake sellele ilma ümara ühendusdetaili pesata ots, tehes vähemalt 3 ringi vastupäeva.
2. Pikendage väljalasketoru teist otsa, keerake sellele adapter, tehes vähemalt 3 ringi vastupäeva.
3. Pikendage väljalasketoru ja viige see välja läbi ukse või akna.

AKNAKOMPLEKTI KASUTAMINE

1. Aknakomplekti kasutamiseks avage aken ja asetage aknakomplekt kohale kas horisontaalselt või vertikaalselt, sõltuvalt aknast.
2. Reguleerige aknakomplekti pikkust ja kinnitage see kruvidega.
3. Sulgege aken ja kinnitage väljalasketorul olev adapter aknakomplekti külge.

AKNAKOMPLEKTI KASUTAMINE

Enne kaugjuhtimispuldi kasutamist paigaldage sellesse AAA-tüüpi patareid.

1. Vajutage ja libistage kaugjuhtimispuldi tagaküljel olevat akukatet, seejärel võite katte eemaldada.
2. Sisestage akupessa kaks uut AAA-tüüpi leelispatareid, pannes kindlasti tähele õiget polaarsust.
3. Asetage aku kaas tagasi, veendudes, et lukutapp klõpsab paika.

Kasutage ainult leelispatareid. Ärge kasutage laetavaid akusid.

Patareide väljavahetamisel asendage alati mõlemad patareid uute patareidega, ärge

kasutage korraga vanu ja uusi patareid. Kui konditsioneer ei kasutata pikema aja jooksul, eemaldage patareid kaugjuhtimispuldil.

Kasutusjuhend

1. Seadme käivitamine. Seadme käivitamiseks ja seiskamiseks vajutage nuppu POWER (toide).
2. Režiimi valik. Seadmel on 4 erinevat režiimi: jahutus-, õhukuivatus-, energiasästu- ja ventilaatorirežiim. Režiimi valimiseks vajutage juhtpaneelil või kaugjuhtimispuldil nuppu MODE (režiim).

- Jahutusrežiim: seadistage soovitud temperatuur juhtpaneelil või kaugjuhtimispuldil asuvate noolte abil. Seadistatud temperatuur kuvatakse ekraanil.
- Õhukuivatus. Õhukuivatusrežiimis töötab ventilaator ainult madalal kiirusel. Temperatuuri ei saa seadistada.
- Ventilaatorirežiim. Kompressor peatub ja ainult ventilaator töötab. Temperatuuri ei saa seadistada.
- Energiasästurežiim. Energiasästurežiimis on energiatarbimine madal. Kui ümbritseva õhu temperatuur on kõrgem kui seadistatud temperatuur, töötab seade jahutusrežiimis. Kui ümbritseva õhu temperatuur jõuab seadistatud temperatuurini, lakkab kompressor töötamast ja ülemine ventilaator lõpetab ka töötamise. 2 minuti ja 30 sekundi möödumisel töötab ülemine ventilaator madalal kiirusel 30 sekundit. Kui kompressor ei käivitu (s.t ümbritseva õhu temperatuur on madalam kui seadistatud temperatuur), siis töötab ülemine ventilaator korduvalt selles režiimis (seiskub 2 minutiks ja 30 sekundiks / töötab madalal kiirusel 30 sekundit).

3. Taimeri seadistamine.
 - Väljalülituse taimeri seadistamiseks vajutage seadme töötamise ajal nuppu TIMER (taimer).
 - Sisselülituse taimeri käivitamiseks vajutage nupule TIMER, kui seade on välja lülitatud.

Seadistage aeg juhtpaneelil või kaugjuhtimispuldil asuvate üles- ja allanoolte abil. Kui taimer on aktiveeritud, süttib juhtpaneelil valgus.

4. Ventilaatori kiiruse seadistamine. Ventilaatori kiiruse valimiseks vajutage juhtpaneeli nuppu SPEED (kiirus). Ventilaatori kiiruse valimiseks vajutage kaugjuhtimispuldil nuppu FAN (ventilaator).
5. Celsius/Fahrenheit. Celsiuse ja Fahrenheiti vahel vahetamiseks vajutage juhtpaneelil samaaegselt üle-s ja allanooli.
6. Unerežiim. Kasutage unerežiimi öösiti ja seade ei häiri teie und. Jahutusrežiimis vajutage üheaegselt nuppu TIMER ja UP, et käivitada unerežiim. Vajutage kaugjuhtimispuldil nuppu SLEEP. Väljalülitamiseks vajutage seda uuesti.
7. Automaatne pöördfunktsioon. Pöördfunktsiooni käivitamiseks vajutage nuppu TIMER (taimer) ja SPEED (kiirus) üheaegselt. Vajutage kaugjuhtimispuldil automaatse pöördfunktsiooni nuppu. Väljalülitamiseks vajutage seda uuesti.
8. Automaatpuhastuse funktsioon. Seadme sisemiseks puhastamiseks vajutage kaugjuhtimispuldil nuppu AUTO-CLEAN (automaatpuhastus). Seade puhastab end 3 minutit enne väljalülitamist.

OHUTUSFUNKTSIOONID

Automaatsulatus

Seadet sulatatakse vajaduse korral automaatselt. Sulatusrežiimis kuvatakse ekraanil E4 ja mitte ükski nupp, välja arvatud toitenupp POWER, pole aktiivne.

Kompressori kaitse

Seadmel on kompressori kaitsefunktsioon, mis põhjustab 3-minutilise käivitusviivituse pärast seadme taaskäivitamist.

Täis veepaagi häiresignaal

Kui veepaak on täis, lõpetab seade tööta-

TÖÖREŽIIMIDE FUNKTSIOONID JA PAIGALDUSKIRJELDUSED

mise. Ekraanile kuvatakse täis veepaagi märgutuli ja kõlab hoiatusheli. Tühjendage veepaak ja taaskäivitage seade.

Vee äravoolu juhised

Veepaagi tühjendamine

Keerake äravoolutoru kate lahti ja eemaldage veekork. Tühjendage veepaak, ühendage uuesti veekork ning äravoolutoru kate.

Märkused.

- Lekke vältimiseks liigutage seadet ettevaatlikult.
- Tühjendamisel kallutage seadet veidi tahapoole.
- Sulgege äravoolutoru niipea kui võimalik enne anuma täitumist; kui see ei suuda mahutada kogu seadmes olevat vett, võib vesi lekkida ja põrand või vaip märjaks saada.
- Veekork ja äravoolutoru kate peavad olema tihedalt paigaldatud, et uus kondensaator põrandat või vaipa märjaks ei teeks, kui seade uuesti tööle hakkab.

Veevooliku ühendamine pideva äravoolu jaoks

Keerake äravoolutoru kate lahti ja eemaldage veekork. Kinnitage seadme toru külge 13 mm veevoolik. Viige veevooliku teine ots äravoolutorru. Veenduge, et vee äravool oleks suunaga allapoole.

Märkused.

- Äravooluvoolik tuleb paigaldada siis, kui alusel ei ole vett.
- On soovitatav mitte kasutada pidevat äravoolu, kui seade on jahutusrežiimis. Nii tagate seadmes piisava veeringluse süsteemi jahutus efekti suurendamiseks.
- Asetage äravooluvoolik kättesaamatusse kohta, mitte kõrgemale kui äravooluava, ja hoidke äravooluvoolik sirge, ilma igasuguse paindeta.
- Hoidke äravoolutoru katet ja veekorki korralikult, kui kasutusel on pidev äravool.

Õhufilter

Õhufilter hoiab ära tolmu ja mustuse sattumise masinasse, pikendades selle eluiga. On oluline, et filtrit puhastataks regulaarselt. Vastasel korral võib seade tõsiselt kahjustada saada. Seetõttu puhastage filtreid vähemalt kord kahe nädala järel.

Filtri puhastamine

1. Eemaldage filter.
2. Peske seda sooja veega ja õrnatoimelise puhastusainega. Filtri võib puhastada ka tolmuiimejaga.
3. Laske filtril ära kuivada ja asetage see tagasi õhukuivatisse.

Filtri paigaldamine

Suunake filtri ots pesa poole ja lükake filter ettevaatlikult pessa.

Märkused.

- Paigaldage esmalt külgsuunaline filter, siis tagapaneeli filter.
- Paigaldage filter eemaldamisega vastupidises suunas.
- Filtri kahjustuste vältimiseks paigaldage filter ettevaatlikult.

On väga oluline, et filtrit puhastataks regulaarselt; vastasel juhul võib õhukonditsioneereri võimsus väheneda ja seade isegi tõsiselt kahjustuda.

Hoiustamisjuhised

Kaugjuhtimispuldi hoiustamine

1. Sisestage kaugjuhtimispult sissehitatud pessa seadme vasakul küljel.
2. Avamiseks vajutage sisseehitatud pesa alumist osa ettevaatlikult ja võtke kaugjuhtimispult välja.

Hoiustamine hooaja lõpus

1. Keerake äravoolutoru kate ära ja tõmmake veekork välja, et kondensaator vesi täielikult ära voolaks.

2. Laske seadmel töötada ventilaatorirežiimis pool päeva, et see seestpoolt täielikult ära kuivaks, mis ennetab hallituse teket.
3. Lülitage seade välja, tõmmake pistik välja, seejärel keerake juhe ümber juhtme hoidiku, sisestage pistik universaalsesse kinnitusavasse seadme tagaküljel, paigaldage veekork ja äravoolutoru kate.
4. Eemaldage sooja õhu väljalasketorusõlm, puhastage see ja hoidke seda korralikult.

Märkused.

- Hoidke väljalasketorusõlme eemaldamisel mõlema käega.
- Suruge väljalaskeava külgedel olevad kinnitusdetailid põialde abil kõrvale, seejärel tõmmake väljalasketorusõlm välja.
- 5. Pakkige õhukonditsioneer korralikult pehmesse kilekotti ja asetage see kuiva kohta, võttes tarvitusele sobivad tolmuvastased meetmed, ja hoidke seade lastele kättesaamatus kohas.
- 6. Võtke patareid kaugjuhtimispuldist välja ja hoidke pulti korralikult.

Märkus:

- Veenduge, et seadet ladustatakse kuivas ruumis.
- Kõik seadme lisaseadmed peavad olema nõuetekohaselt kaitstud.

Hooldus

Puhastage kondensaator Wood'si puhastusvahendiga. Lisateavet oma seadme puhastamise kohta leiate veebilehelt woods.se. Puhastage seadet pehme niiske lapiga. Ärge kasutage lahusteid ega tugevaid puhastusvahendeid, sest see võib kahjustada seadme pinda.

Remont

Kui õhukuivatit on vaja remontida, pöörduge esmalt kohaliku jaemüüja poole. Garantii kehtib vaid ostu tõendavate dokumentide esitamise korral.

Probleem	PÕHJUS	KUIDAS PARANDADA?
Seade ei käivitu.	Toitevoolu rike. Veepaak on täis ja selle ikoon põleb. Ümbritseva õhu temperatuur liiga madal või kõrge. Toatemperatuur on madalam kui seadistatud temperatuur jahutusrežiimil või kõrgem kui seadistatud temperatuur kütterežiimil.	Ühendage seade toimivasse pistikupessa ja lülitage sisse. Tühjendage seadmesse kogunenud vesi. Seda seadet on soovitatav kasutada vahemikus 8–35 °C. Muutke temperatuuriseadistust.
Halb jahutustulemus.	Otsese päikesevalguse olemasolu. Uksed ja aknad on avatud, ruumis on palju inimesi või teisi soojusallikaid. Määrdund filter. Õhu sissetõmbe- või väljapuhkeava on ummistunud.	Tõmmake aknakardin ette. Sulgege uks ja aken, eemaldage muud soojusallikad. Puhastage või asendage filtrivõrk. Eemaldage ummistus.
Vali müratase.	Seade on asetatud ebaühtlasele pinnale.	Asetage seade tasasele ja kindlale pinnale (see võib müra vähendada).
Kompressor ei tööta.	Ülekuumenemiskaitse käivitumine.	Oodake, kuni temperatuur alaneb, seade käivitub automaatselt uuesti.
Kaugjuhtimispuult ei tööta.	Liiga pikk vahemaa. Kaugjuhtimispuult ei ole suunatud seadme signaali vastuvõtjale. Patareid on tühjad.	Viige kaugjuhtimispuult õhukonditsioneeri lähedale ja veenduge, et see on suunatud signaali vastuvõtjale. Vahetage patareid.
Kui teil tekib õhukuiivati kasutamisel probleeme, lugege järgmist veaotsingu peatükki. Kui ükski allpool toodud juhistest ei tööta, pöörduge toote parandamiseks jaemüüja poole.		

Veakoodid		
CH01	Toatemperatuuri anduri rike.	Kontrollige toatemperatuuri andurit ja sellega seotud süsteeme.
CH02	Toru temperatuurianduri rike.	Kontrollige toru temperatuuriandurit ja sellega seotud süsteeme.
E4	Külmumisvastane kaitse.	Funktsioonid taastuvad automaatselt, kui külmumisvastane kaitse on läbi.
FL	Korpuses olev veepaak on täis.	Laske kondensaad välja ja käivitage seade uuesti.

Garantiid

2-aastane tarbijagarantii tootmisvigade korral. Pange tähele, et garantii kehtib ainult kviitungi esitamisel. Garantii kehtib ainult juhul, kui toodet kasutatakse käesolevas juhendis esitatud juhiste ja turvahoiatuste kohaselt. Garantii ei kata kahjustusi, mis on põhjustatud toote väärast käitlemisest.

TÄHELEPANU! 2-aastane garantii kehtib ainult tarbijate puhul, mitte seadme kaubanduslikul eesmärgil kasutamise korral.



TÄHELEPANU!

Registreeruge aadressil www.warranty-woods.com ja lugege, kuidas saada pikendatud garantiid. Rohkem teavet leiате kodulehelt www.woods.se.

Soovituslikud tingimused kasutamiseks

Parim ümbritseva õhu temperatuur jahutamiseks on 17–35 °C. Seade töötab temperatuuril kuni +45 °C. Kaitsme parameeter: ϕ 5,0 x 20 mm 3,15 A, 250 Vac.

TEHNILISED ANDMED

AC Cortina 12K Duo

Jahutusvõimsus	3.520 W
Energiatarve	1.350 W
Õhuvool:	420m ³ / h
Energiaklass	A
Õhu kuivatamine	33,6 L / 24h
Temperatuuriseaded	17-30°C
Töotemperatuur	16-45°C
Energiatõhusustegur (EER)	2,6
Väljalasketoru pikkus	1,5 m
Väljalasketoru läbimõõt	15 cm
Külmaaine	R290/260g
Müratase	56dB / 64dB
Kaal	33,4 kg
Mõõtmed (mm), P x L x K	850x471x355

* Tootja võib teha tehnilisi muudatusi ja täiustusi. Kõik väärtused on ligikaudsed ning võivad varieeruda olenevalt välistest teguritest, nagu temperatuur, ventilatsioon ja niiskus.



* See märgistus näitab, et seda toodet ei tohi kogu ELis visata muude olmejäätmete hulka. Et vältida kontrollimata jäätmete kõrvaldamisest tekkida võivat kahju keskkonnale või inimeste tervisele, suunake see vastutustundlikult ümbertöötlemise, et edendada oluliste ressursside säästvat taaskasutamist. Seadme tagastamiseks meile kasutage tagastamis- ja kogumissüsteeme või võtke ühendust jaemüüjaga, kellelt toode osteti. Neil on võimalik suunata toode keskkonnaohutult taaskasutusse.

WiFi-funktsioon

1. Laadige alla ja installige rakendus

Laadige alla Woods Connecti rakendus App Store'ist või Google Playst.

1. Registreerumine / Sisselogimine / Unustasin parooli

Registreerumine

Kui teil pole rakenduse kontot, registreerige konto või logige sisse SMSi teel saadava kinnituskoodiga. See leht kirjeldab registreerimisprotsessi.

1. Koputage, et siseneda registreerimislehele.

2. Süsteem tunneb automaatselt ära teie riigi/piirkonna. Saate valida ka oma riigi koodi. Sisestage mobiiltelefoni number / e-posti aadress ja puudutage valikut „Next“ („Edasi“).

3. Kui sisestate mobiiltelefoni numbri, sisestage järgmiseks sõnumisse kinnituskood ja seejärel parool; registreerimise lõpetamiseks koputage „Confirm“ („Kinnita“).

4. Kui sisestate e-posti aadressi, sisestage järgmiseks parool ja registreerimise lõpetamiseks koputage „Confirm“ („Kinnita“).

2. Logige sisse kasutajanime ja parooli või kinnituskoodiga SMSi kaudu.

Logige sisse kasutajanime ja parooliga.

1. Süsteem tunneb automaatselt ära teie riigi/piirkonna. Saate valida ka oma riigi koodi. Sisestage mobiiltelefoni number / e-posti aadress ja puudutage valikut „Next“ („Edasi“).

2. Sisselogimiseks sisestage oma registreeritud mobiiltelefoni number või e-posti aadress ja parool.

Logige sisse kinnituskoodiga.

1. Koputage „Sign in with SMS verification“ („Logi sisse SMS-kinnitusega“) uuele lehele.

2. Süsteem tunneb automaatselt ära teie riigi/piirkonna.

Saate ka ise oma riigi koodi valida.

Unustasin parooli

Kui unustasite oma parooli, järgige alltoodud protseduure.

1. Koputage „Forgot password“ („Unustasin parooli“).

2. Süsteem tunneb automaatselt ära teie riigi/piirkonna. Saate ka ise oma riigi koodi valida. Sisestage mobiiltelefoni number / e-posti aadress ja koputage valikut „Next“ („Edasi“).

3. Sisestage sõnumis/e-kirjas olnud kinnituskood ja sisestage uus parool, koputage „Confirm“ („Kinnita“).

WiFi Woods Connect toetab järgmisi funktsioone:

Toide sisse/Toide välja

Jahutusrežiim

Kuivatusrežiim

Ventilaatori režiim

Ökorežiim

Temperatuuriseaded

Kiirus: madal, keskmine ja kõrge

Taimer: 1–24 h

Unerežiim: Sees/Väljas

Automaatpuhastus: Sees/Väljas

Lukustus: Sees/Väljas

Celsius/Fahrenheit

Pöördfunktsioon: Sees/Väljas

3. Järgige rakenduses toodud protseduure, et nautida WiFi ühendust.

Smart Home

Kui teil on Smart Home (Nutikodu) toode, tehke läbi sammud 1 kuni 3.

Juurdepääsuteenused kolmandatele isikutele: koputage kolmanda osapoole häälteenuse ikooni, et näha, kuidas teenusega ühendust luua. Leiate sellise ikooni

Smart Home Wood's Connect toetab häälkäsklustega järgmisi funktsioone:

Toide sisse/Toide välja
Temperatuuriseaded

Lisateavet leiate aadressilt:

<https://woods.se/en/>

ΠΡΟΪΟΝΤΑ WOOD'S ΓΙΑ ΚΑΘΑΡΟ ΚΑΙ ΥΓΙΕΙΝΟ ΑΕΡΑ ΕΣΩΤΕΡΙΚΩΝ ΧΩΡΩΝ

Η μάρκα Wood's γεννήθηκε με την οικογένεια Wood's πάνω από 65 χρόνια πριν στην Καναδική πόλη Guelph του Οντάριο. Στην πόλη αυτή οι Wood's ξεκίνησαν την εξέλιξη και την κατασκευή αφυγραντήρων το 1950. Έκτοτε η Wood's έχει βοηθήσει αρκετές εκατοντάδες χιλιάδες νοικοκυριά να αποτρέψουν προβλήματα λόγω μούχλας και υγρασίας και να αναπνεύσουν καθαρότερο αέρα. Τα φορητά μας κλιματιστικά είναι κατάλληλα για χρήση στα περισσότερα κλίματα, όπου η απόδοσή τους είναι καλή ακόμη και σε διαφορετικές θερμοκρασίες και επίπεδα υγρασίας. Χρησιμοποιούνται με καλά αποτελέσματα σε χώρους που αναπτύσσονται θερμοκρασίες όπως καθιστικά, γραφεία ή κρεβατοκάμαρες. Η ποσότητα του θερμού αέρα που αφαιρεί το κλιματιστικό εξαρτάται από τη θερμοκρασία, το επίπεδο της υγρασίας και την τοποθέτηση στο χώρο. Οι εξωτερικές καιρικές συνθήκες μπορεί επίσης να επηρεάσουν την απόδοση του κλιματιστικού.

Τα κλιματιστικά της Wood's προσφέρουν ασφαλή λειτουργία και προορίζονται για συνεχή χρήση για πολλά χρόνια.

ΠΩΣ ΛΕΙΤΟΥΡΓΕΙ Η ΜΟΝΑΔΑ ΚΛΙΜΑΤΙΣΜΟΥ;

Η χαμηλή πίεση παράγει κρύο αέρα. Το κύριο στοιχείο του κλιματιστικού είναι ένα ψυκτικό μέσο, το οποίο υπό χαμηλή πίεση μετατρέπεται σε αέριο. Η διαδικασία «δημιουργεί κρύο», το οποίο μεταδίδεται προς τον εσωτερικό χώρο, κρατώντας τον ζεστό αέρα εκτός.

Ένα υγρό ψυκτικό μέσο περνά μέσα από μια βαλβίδα διαστολής και οδηγείται σε ένα σωλήνα όπου η πίεση είναι χαμηλή.

Το ψυκτικό μέσο εξατμίζεται και μετατρέπεται σε αέριο. Η διαδικασία απορροφά τη θερμότητα από το περιβάλλον και ο σωλήνας ψύχεται.

Ένας ανεμιστήρας μεταφέρει τον κρύο αέρα στο χώρο.

Το αέριο διέρχεται μέσω ενός συμπιεστή, που αυξάνει την πίεσή του και μετατρέπει το αέριο σε υγρό.

Σε αυτή τη διαδικασία, απελευθερώνεται θερμότητα, η οποία οδηγείται σε σωλήνες στην αντίθετη πλευρά και αποβάλλεται με τη βοήθεια ενός ανεμιστήρα.

Ένας θερμοστάτης διακόπτει τη λειτουργία της μονάδας όταν ο αέρας του εσωτερικού χώρου είναι αρκετά κρύος.

1. ΠΡΟΕΙΔΟΠΟΙΗΣΕΙΣ ΑΣΦΑΛΕΙΑΣ



Εύφλεκτο υλικό. Αυτή η συσκευή περιέχει R290/ Προπάνιο, ένα εύφλεκτο ψυκτικό μέσο.



Ανατρέξτε σε αυτό το εγχειρίδιο για πληροφορίες για την ασφάλεια.



Διαβάστε το τεχνικό εγχειρίδιο



Διαβάστε το εγχειρίδιο χειριστή.

ΠΛΗΡΟΦΟΡΙΕΣ ΓΙΑ ΤΗΝ ΑΣΦΑΛΕΙΑ

Πριν από την εγκατάσταση και τη χρήση της συσκευής, διαβάστε προσεκτικά τις παρεχόμενες οδηγίες. Ο κατασκευαστής δεν ευθύνεται σε περίπτωση πρόκλησης τραυματισμού και ζημιών λόγω εσφαλμένης εγκατάστασης και χρήσης. Φυλάσσετε πάντα τις οδηγίες μαζί με τη συσκευή για μελλοντική αναφορά.

Ασφάλεια για τα παιδιά και τα ευάλωτα άτομα



ΠΡΟΕΙΔΟΠΟΙΗΣΗ

Κίνδυνος τραυματισμού ή μόνιμης αναπηρίας.

Αυτή η συσκευή μπορεί να χρησιμοποιηθεί από παιδιά ηλικίας 8 ετών και άνω και άτομα με μειωμένη σωματική, αισθητηριακή ή διανοητική ικανότητα ή με έλλειψη εμπειρίας και γνώσης, υπό την επίβλεψη τρίτων ή εάν έχουν λάβει οδηγίες σχετικά με τη χρήση της συσκευής με ασφαλή τρόπο και

έχουν κατανοήσει τους κινδύνους που σχετίζονται με τη χρήση της. Μην αφήνετε τα παιδιά να παίζουν με τη συσκευή.

Τα παιδιά ηλικίας κάτω των 3 ετών θα πρέπει να παραμένουν σε απόσταση, εκτός εάν εποπτεύονται συνεχώς.

Κρατήστε όλες τις συσκευασίες μακριά από τα παιδιά. Ο καθαρισμός και η συντήρηση από το χρήστη δεν θα πρέπει να γίνεται από παιδιά χωρίς επίβλεψη.

Γενικοί κανόνες για την ασφάλεια

Η συσκευή αυτή προορίζεται για χρήση σε οικιακές και παρόμοιες εφαρμογές, όπως: Οικογενειακά δωμάτια, σαλόνια, χώρους κουζίνας προσωπικού σε καταστήματα, γραφεία και άλλα περιβάλλοντα εργασίας. Η πινακίδα των τεχνικών χαρακτηριστικών βρίσκεται στο πίσω μέρος του κλιματιστικού. Διατηρήστε καθαρά τα ανοίγματα εξαερισμού και χωρίς παρεμπόδιση.

Μην χρησιμοποιείτε μηχανικές συσκευές ή άλλα μέσα για να επιταχύνετε τη διαδικασία απόψυξης, εκτός από αυτά που συνιστώνται από τον κατασκευαστή.

Η συσκευή δεν πρέπει να φυλάσσεται σε χώρους με πηγές ανάφλεξης σε λειτουργία (για παράδειγμα: ακάλυπτες φλόγες, συσκευές φυσικού αερίου σε λειτουργία ή ηλεκτρικές θερμάστρες σε λειτουργία. Μην τρυπήσετε ή κάψετε.

Να γνωρίζετε ότι τα ψυκτικά μέσα μπορεί να μην γίνουν αντιληπτά μέσω της οσμής. Μην χρησιμοποιείτε ψεκαστήρες νερού και ατμού για τον καθαρισμό

της συσκευής. Καθαρίστε τη συσκευή με ένα υγρό μαλακό πανί. Χρησιμοποιείτε μόνο ουδέτερα απορρυπαντικά. Μην χρησιμοποιείτε λειαντικά προϊόντα, λειαντικά σφουγγαράκια καθαρισμού, διαλύτες ή μεταλλικά αντικείμενα.

Εάν το καλώδιο τροφοδοσίας είναι κατεστραμμένο, πρέπει να αντικατασταθεί από τον κατασκευαστή, το εξουσιοδοτημένο κέντρο σέρβις του ή άτομα με παρόμοια εξειδίκευση, προκειμένου να αποφευχθεί κάποιος κίνδυνος.

ΟΔΗΓΙΕΣ ΓΙΑ ΤΗΝ ΑΣΦΑΛΕΙΑ

Εγκατάσταση ΠΡΟΕΙΔΟΠΟΙΗΣΗ



Μόνο ένα ειδικευμένο άτομο πρέπει να εγκαταστήσει αυτή τη συσκευή. Αφαιρέστε όλες τις συσκευασίες. Μην εγκαθιστάτε ή χρησιμοποιείτε μια κατεστραμμένη συσκευή. Η συσκευή πρέπει να εγκαθίσταται, να λειτουργεί και να φυλάσσεται σε χώρους με εμβαδόν δαπέδου μεγαλύτερο από 12,5 m². Τηρείτε τις οδηγίες εγκατάστασης που παρέχονται με τη συσκευή. Να είστε πάντα προσεκτικοί όταν μετακινείτε τη συσκευή επειδή είναι βαριά. Πάντα να φοράτε γάντια ασφαλείας. Να γνωρίζετε ότι τα ψυκτικά μέσα μπορεί να μην γίνουν αντιληπτά μέσω της οσμής.

Βεβαιωθείτε ότι ο αέρας μπορεί να κυκλοφορεί γύρω από τη συσκευή. Περιμένετε τουλάχιστον 4 ώρες πριν συνδέσετε τη συσκευή στην τροφοδοσία ρεύματος. Αυτό πρέπει να τηρηθεί ώστε να επιστρέψει το λάδι στον συμπιεστή.

Μην εγκαθιστάτε τη συσκευή κοντά σε θερμαντικά σώματα ή άλλες πηγές θερμότητας. Μην εγκαθιστάτε τη συσκευή εκεί όπου υπάρχει άμεσο ηλιακό φως.

Ηλεκτρική σύνδεση



ΠΡΟΕΙΔΟΠΟΙΗΣΗ

Κίνδυνος πυρκαγιάς και ηλεκτροπληξία. Η συσκευή πρέπει να συνδέεται σε μια γειωμένη πρίζα. Βεβαιωθείτε ότι τα ηλεκτρολογικά στοιχεία στην πινακίδα των τεχνικών χαρακτηριστικών ταιριάζουν με την τροφοδοσία ρεύματος. Αν όχι, επικοινωνήστε με έναν ηλεκτρολόγο. Να χρησιμοποιείτε πάντα μια σωστά εγκατεστημένη αντικραδασμική πρίζα. Μην χρησιμοποιείτε πολύμπριζα και καλώδια επέκτασης ή μπαλαντέζες. Φροντίστε να μην προκαλέσετε βλάβη στα ηλεκτρικά εξαρτήματα (π.χ. βύσμα τροφοδοσίας, καλώδιο τροφοδοσίας). Επικοινωνήστε με το εξουσιοδοτημένο κέντρο σέρβις ή έναν ηλεκτρολόγο για να αλλάξετε τα ηλεκτρικά εξαρτήματα. Το καλώδιο τροφοδοσίας πρέπει να παραμείνει κάτω από το επίπεδο του βύσματος τροφοδοσίας. Συνδέστε το βύσμα τροφοδοσίας στην πρίζα τροφοδοσίας μόνο στο τέλος της εγκατάστασης. Βεβαιωθείτε ότι υπάρχει πρόσβαση στο βύσμα τροφοδοσίας μετά την εγκατάσταση. Μην τραβάτε το καλώδιο τροφοδοσίας για να αποσυνδέσετε τη συσκευή. Πάντα να τραβάτε το βύσμα.

Χρήση

ΠΡΟΕΙΔΟΠΟΙΗΣΗ



Κίνδυνος τραυματισμού, εγκαυμάτων, ηλεκτροπληξίας ή πυρκαγιάς. Μην αλλάζετε την προδιαγραφή αυτής της συσκευής.

Προσέξτε να μην προκαλέσετε βλάβη στο κύκλωμα του ψυκτικού μέσου. Περιέχει προπάνιο (R290), ένα φυσικό αέριο με υψηλό επίπεδο περιβαλλοντικής συμβατότητας. Το αέριο αυτό είναι εύφλεκτο.

Εάν προκληθεί ζημιά στο κύκλωμα του ψυκτικού μέσου, βεβαιωθείτε ότι δεν υπάρχουν φλόγες και άλλες πηγές ανάφλεξης στο χώρο. Αερίστε το χώρο. Μην βάζετε εύφλεκτα προϊόντα ή αντικείμενα που έχουν βραχεί με εύφλεκτα προϊόντα, κοντά ή πάνω στη συσκευή.

Απόρριψη

ΠΡΟΕΙΔΟΠΟΙΗΣΗ



Κίνδυνος τραυματισμού. Αποσυνδέστε τη συσκευή από την τροφοδοσία ρεύματος. Κόψτε το καλώδιο ρεύματος και απορρίψτε το. Το κύκλωμα του ψυκτικού μέσου αυτής της συσκευής είναι φιλικό προς το όζον. Επικοινωνήστε με τη δημοτική αρχή για πληροφορίες σχετικά με τη σωστή απόρριψη της συσκευής. Μην προκαλείτε βλάβη στο τμήμα της ψυκτικής μονάδας που βρίσκεται κοντά στον εναλλάκτη θερμότητας.

ΡΥΘΜΙΣΤΕ ΤΟ ΚΛΙΜΑΤΙΣΤΙΚΟ ΓΙΑ ΤΗΝ ΕΓΚΑΤΑΣΤΑΣΗ

ΣΗΜΑΝΤΙΚΟ:

2. Εγκατάσταση

ΠΡΙΝ ΑΠΟ ΤΗΝ ΠΡΩΤΗ ΧΡΗΣΗ

Αφήστε το μηχάνημα σε όρθια θέση για 4 ώρες πριν από τη χρήση
Επιλογή θέσης

Σημαντικό

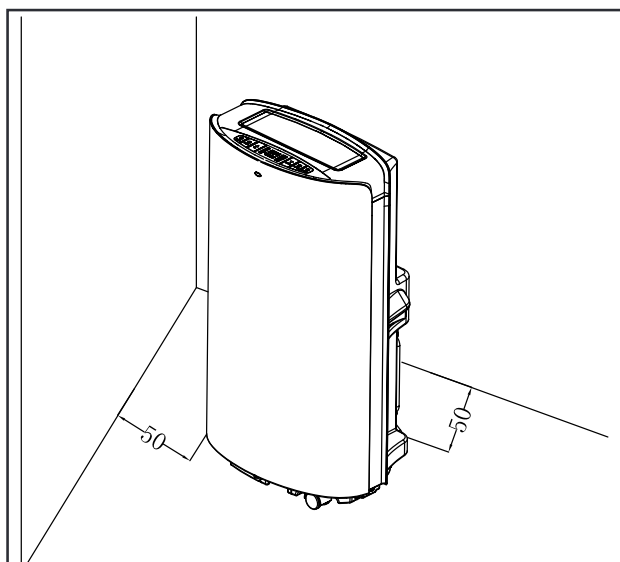
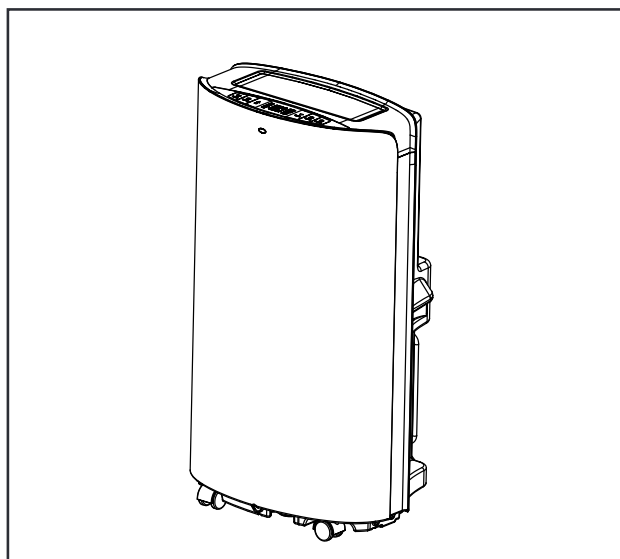
1. Αυτό το κλιματιστικό μπορεί να μετακινηθεί άνετα σε έναν εσωτερικό χώρο, κρατήστε τη μονάδα σε όρθια θέση ενώ τη μετακινείτε. Το κλιματιστικό πρέπει να τοποθετείται σε επίπεδη επιφάνεια.

Μην εγκαταστήσετε ή λειτουργείτε αυτό το κλιματιστικό σε ένα μπάνιο ή σε άλλο υγρό περιβάλλον. Δεδομένου ότι ένα φορητό κλιματιστικό στηρίζεται σε τροχούς, είναι εύκολο να αλλάξετε θέσεις. Όταν επικρατεί ζέστη, απλά μετακινήστε το φορητό κλιματιστικό σας στο δωμάτιο που επιθυμείτε και μπορεί γρήγορα να αρχίσει να δροσίζει το χώρο. Το κλιματιστικό πρέπει να λειτουργεί σε κλειστό χώρο για να είναι πιο αποτελεσματικό. Κλείστε όλες τις πόρτες, τα παράθυρα και άλλα εξωτερικά ανοίγματα του χώρου. Η αποτελεσματικότητα του κλιματιστικού εξαρτάται από το επίπεδο της θερμοκρασίας και της υγρασίας.

2. Τοποθετήστε το κλιματιστικό σε μια θέση που δεν περιορίζει τη ροή του αέρα από το μπροστινό μέρος της μονάδας.

3. Ένα κλιματιστικό που λειτουργεί σε ένα δωμάτιο θα έχει μικρή ή καθόλου επίδραση στην ξήρανση ενός γειτονικού κλειστού χώρου αποθήκευσης, όπως μια ντουλάπα, εκτός αν υπάρχει επαρκής κυκλοφορία του αέρα εσωτερικά και εξωτερικά του χώρου. Ένα φορητό κλιματιστικό εκκενώνει τη θερμότητα από τη μονάδα με τη βοήθεια ενός εύκαμπτου σωλήνα εξαερισμού μέσα από ένα παράθυρο ή μιας βαλβίδας εξαγωγής αέρα.

4. Θα πρέπει να υπάρχει μια ελάχιστη απόσταση 50 εκατοστών μεταξύ του κλιματιστικού και του πλησιέστερου αντικειμένου. Δείτε την εικόνα για αναφορά.



ΠΕΡΙΓΡΑΦΗ ΠΡΟΪΟΝΤΟΣ

3. Περιγραφή προϊόντος

A

1. Κύρια μονάδα κλιματισμού
2. Τηλεχειριστήριο
3. Μπαταρίες
4. Εγχειρίδιο χρήσης
5. Στρογγυλός σύνδεσμος
6. Εύκαμπτος σωλήνας εξαγωγής θερμού αέρα
7. Προσαρμογέας
8. Κιτ παραθύρων

B

1. Πλευρική όψη του κύριου κλιματιστικού

C

1. Πρόσοψη
2. Παράθυρο λήψης σημάτων τηλεχειριστηρίου
3. Πίνακας ελέγχου
4. Επάνω πλαίσιο
5. Οριζόντια περσίδα
6. Δεξιό διακοσμητικό πλαίσιο
7. Συγκρότημα επάνω φίλτρου στο πίσω μέρος
8. Υποδοχή αποθήκευσης τηλεχειριστηρίου
9. Αριστερό διακοσμητικό πλαίσιο
10. Καλώδιο τροφοδοσίας με βύσμα
11. Άγκιστρα περιτύλιξης καλωδίου
12. Συγκρότημα κάτω φίλτρου στο πίσω μέρος
13. Τάπα αποστράγγισης
14. Τροχός γενικής χρήσης
15. Συγκρότημα φίλτρου στο πλευρικό πλαίσιο
16. Προστατευτικό πλέγμα
17. Κούμπωμα
18. Λαβή
19. Στρογγυλός σύνδεσμος για τον εύκαμπτο σωλήνα εξαγωγής
20. Εύκαμπτος σωλήνας εξαγωγής
21. Προσαρμογέας εύκαμπτου σωλήνα εξαγωγής
22. Κιτ παραθύρων

D

1. Πίσω όψη του κύριου κλιματιστικού

E

1. Έξοδος αέρα
2. Πίνακας ελέγχου

F

1. Πίνακας ελέγχου

G

1. Κουμπί χρονοδιακόπτη
2. Κουμπί ταχύτητας
3. Κουμπί αύξησης
4. Κουμπί μείωσης
5. Κουμπί επιλογής λειτουργίας
6. Κουμπί τροφοδοσίας
7. Ένδειξη λειτουργίας ψύξης
8. Ένδειξη λειτουργίας αφύγρανσης
9. Ένδειξη λειτουργίας ανεμιστήρα
10. Ένδειξη λειτουργίας εξοικονόμησης ενέργειας
11. Ένδειξη WiFi
12. Ένδειξη λειτουργίας αυτόματης ταλάντευσης
13. Ένδειξη λειτουργίας αυτόματου καθαρισμού
14. Ένδειξη πλήρους δοχείου νερού
15. Ένδειξη λειτουργίας ύπνου
16. Ένδειξη ταχύτητας ανεμιστήρα
17. Ένδειξη χρονοδιακόπτη
18. Ένδειξη ώρας χρονοδιακόπτη
19. Ένδειξη θερμοκρασίας

H

1. Πώς να αφαιρέσετε τα φίλτρα

I

1. Πιάστε τη λαβή του φίλτρου και τραβήξτε απαλά προς τη σωστή κατεύθυνση.
2. Απομακρύνετε τα σωματίδια ρύπων από το φίλτρο με καθαριστικό, εάν είναι απαραίτητο.
3. Βυθίστε και πλύνετε απαλά το φίλτρο σε ζεστό νερό (περίπου 40 ° C) αναμειγμένο με ουδέτερο καθαριστικό, και στη συνέχεια ξεπλύνετε και στεγνώστε καλά στη σκιά.

J

1. Κούμπωμα
2. Υποδοχή
3. Συγκρότημα εύκαμπτου σωλήνα εξαγωγής

K

1. Υποδοχή αποθήκευσης τηλεχειριστηρίου
2. Τηλεχειριστήριο
3. Κατεύθυνση συγκράτησης τηλεχειριστηρίου

L

1. Κουμπί αύξησης και μείωσης
2. Κουμπί ταχύτητας ανεμιστήρα
3. Κουμπί χρονοδιακόπτη
4. Κουμπί λειτουργίας ύπνου
5. Παράθυρο οθόνης LCD
6. Κουμπί τροφοδοσίας
7. Κουμπί επιλογής λειτουργίας
8. Κουμπί αυτόματης ταλάντευσης
9. Κουμπί αυτόματου καθαρισμού

M

1. Πριν τη χρήση, τοποθετήστε τις μπαταρίες AAA στο τηλεχειριστήριο.

N

1. Τάπα αποστράγγισης
2. Εύκαμπτος σωλήνας αποστράγγισης

O

1. Τάπα αποστράγγισης
2. Πώμα αποστράγγισης
3. Έξοδος νερού

P

1. Επεκτείνετε το ένα άκρο του ευκάμπτου σωλήνα εξαγωγής, βιδώστε το άκρο χωρίς τη σχισμή του στρογγυλού συνδέσμου πάνω σε αυτό, με αριστερόστροφη κατεύθυνση για τουλάχιστον 3 στροφές.
2. Επεκτείνετε το άλλο άκρο του ευκάμπτου σωλήνα εξαγωγής, βιδώστε τον προσαρμογέα πάνω σε αυτό, με αριστερόστροφη κατεύθυνση για τουλάχιστον 3 στροφές.
3. Συγκρότημα εύκαμπτου σωλήνα εξαγωγής

Q

1. Κρατήστε τα δύο άκρα των πλαϊσίων σφράγισης του παραθύρου έτσι ώστε να καλύπτουν σωστά τα άκρα του παραθύρου, προκειμένου να διασφαλίσετε τη στεγανότητα.

R

1. Κλιματιστικό έτοιμο προς χρήση

ΛΕΙΤΟΥΡΓΙΑ ΤΩΝ ΤΡΟΠΩΝ ΛΕΙΤΟΥΡΓΙΑΣ ΚΑΙ ΠΕΡΙΓΡΑΦΕΣ ΕΓΚΑΤΑΣΤΑΣΗΣ

Εγκατάσταση

Εάν η μονάδα έχει μεταφερθεί σε οριζόντια θέση, αφήστε την σε όρθια θέση για 4 ώρες πριν τη χρησιμοποιήσετε. Τοποθετήστε τη μονάδα σε επίπεδη και στερεά επιφάνεια.

Μην τοποθετείτε τη μονάδα σε μπάνια ή σε άλλα υγρά περιβάλλοντα. Βεβαιωθείτε ότι η ροή του αέρα δεν μπλοκάρεται, αφήνετε πάντα μια απόσταση τουλάχιστον 50 εκατοστών από τις περιβάλλουσες επιφάνειες.

ΕΓΚΑΤΑΣΤΑΣΗ ΤΟΥ ΕΥΚΑΜΠΤΟΥ ΣΩΛΗΝΑ ΕΞΑΓΩΓΗΣ

1. Επεκτείνετε το ένα άκρο του ευκάμπτου σωλήνα εξαγωγής, βιδώστε το άκρο χωρίς τη σχισμή του στρογγυλού συνδέσμου πάνω σε αυτό, με αριστερόστροφη κατεύθυνση για τουλάχιστον 3 στροφές.
2. Επεκτείνετε το άλλο άκρο του ευκάμπτου σωλήνα εξαγωγής, βιδώστε τον προσαρμογέα πάνω σε αυτό, με αριστερόστροφη κατεύθυνση για τουλάχιστον 3 στροφές.
3. Επεκτείνετε τον εύκαμπτο σωλήνα εξαγωγής και οδηγήστε τον προς το εξωτερικό μέσα από μια πόρτα ή ένα παράθυρο.

ΧΡΗΣΙΜΟΠΟΙΟΝΤΑΣ ΤΟ ΚΙΤ ΠΑΡΑΘΥΡΩΝ

1. Για να χρησιμοποιήσετε το κιτ παραθύρων, ανοίξτε το παράθυρο και τοποθετήστε το κιτ παραθύρων είτε οριζόντια είτε κάθετα, ανάλογα με το παράθυρο.
2. Προσαρμόστε το μήκος του κιτ παραθύρων και στερεώστε το με τις βίδες.
3. Κλείστε το παράθυρο και συνδέστε τον προσαρμογέα στον εύκαμπτο σωλήνα εξαγωγής στο κιτ παραθύρων.

ΧΡΗΣΙΜΟΠΟΙΟΝΤΑΣ ΤΟ ΤΗΛΕΧΕΙΡΙΣΤΗΡΙΟ

Πριν τη χρήση, τοποθετήστε τις μπαταρίες AAA στο τηλεχειριστήριο.

1. Πατήστε και σύρετε το κάλυμμα των μπαταριών στο πίσω μέρος του τηλεχειριστηρίου και, στη συνέχεια, μπορείτε να αφαιρέσετε το κάλυμμα.
2. Τοποθετήστε δύο νέες αλκαλικές μπαταρίες AAA στη θήκη των μπαταριών, δώστε προσοχή στη σωστή πολικότητα.
3. Επαναφέρετε στη θέση του το κάλυμμα των μπαταριών, αφού βεβαιωθείτε ότι η γλωττίδα ασφάλισης κάνει κλικ κουμπώντας στη θέση της.

Χρησιμοποιήστε μόνο αλκαλικές μπαταρίες. Μην χρησιμοποιείτε επαναφορτιζόμενες μπαταρίες.

Όταν αντικαθιστάτε τις μπαταρίες, αντι-

καθιστάτε πάντα και τις δύο μπαταρίες με νέες μπαταρίες, μην χρησιμοποιείτε παλιές και νέες μπαταρίες μαζί.

Εάν το κλιματιστικό δεν πρόκειται να χρησιμοποιηθεί για παρατεταμένο χρονικό διάστημα, αφαιρέστε τις μπαταρίες από το τηλεχειριστήριο.

Οδηγίες λειτουργίας

1. Έναρξη λειτουργίας της μονάδας. Πατήστε το πλήκτρο ΤΡΟΦΟΔΟΣΙΑ (POWER) για να εκκινήσετε και να διακόψετε τη λειτουργία της μονάδας.
2. Επιλογή λειτουργίας. Η μονάδα διαθέτει 4 διαφορετικούς τρόπους λειτουργίας: ψύξη, αφύγρανση, εξοικονόμηση ενέργειας και λειτουργία ανεμιστήρα. Πατήστε το πλήκτρο ΛΕΙΤΟΥΡΓΙΑ (MODE) στον πίνακα ελέγχου ή στο τηλεχειριστήριο για να επιλέξετε μια λειτουργία.

- Λειτουργία ψύξης: Ρυθμίστε την επιθυμητή θερμοκρασία με τα βέλη στον πίνακα ελέγχου ή στο τηλεχειριστήριο. Η ρύθμιση της θερμοκρασίας εμφανίζεται στην οθόνη.
- Αφύγρανση. Στη λειτουργία αφύγρανσης, ο ανεμιστήρας θα λειτουργεί μόνο στη χαμηλή ταχύτητα. Η θερμοκρασία δεν μπορεί να ρυθμιστεί.
- Λειτουργία ανεμιστήρα. Ο συμπιεστής σταματά και μόνο ο ανεμιστήρας θα λειτουργεί. Η θερμοκρασία δεν μπορεί να ρυθμιστεί.
- Λειτουργία εξοικονόμησης ενέργειας. Χαμηλή κατανάλωση ενέργειας σε λειτουργία εξοικονόμησης ενέργειας. Όταν η θερμοκρασία περιβάλλοντος είναι υψηλότερη από τη ρυθμισμένη θερμοκρασία, η μονάδα λειτουργεί σε λειτουργία ψύξης. Όταν η θερμοκρασία περιβάλλοντος φτάσει στη ρυθμισμένη θερμοκρασία, ο συμπιεστής σταματά να λειτουργεί και ο επάνω ανεμιστήρας σταματά επίσης να λειτουργεί. Μετά από 2 λεπτά και 30 δευτερόλεπτα, ο επάνω ανεμιστήρας θα λειτουργήσει σε χαμηλή ταχύτητα για 30 δευτερόλεπτα. Εάν ο συμπιεστής δεν αρχίσει να λειτουργεί (δηλαδή, η θερμοκρασία περιβάλλοντος είναι χαμηλότερη από τη ρυθμισμένη θερμοκρασία), ο επάνω ανεμιστήρας θα λειτουργεί επανειλημμένα σε αυτή τη λειτουργία (διακοπή λειτουργίας για 2 λεπτά 30 δευτερόλεπτα / λειτουργία χαμηλής παροχής αέρα για 30 δευτερόλεπτα).

3. Ρύθμιση χρονοδιακόπτη.

- Για να ρυθμίσετε το χρονοδιακόπτη για διακοπή της λειτουργίας, πατήστε το πλήκτρο ΧΡΟΝΟΔΙΑΚΟΠΤΗΣ (TIMER) όταν η μονάδα βρίσκεται σε λειτουργία.

- Για να ρυθμίσετε το χρονοδιακόπτη για έναρξη της λειτουργίας, πατήστε το πλήκτρο ΧΡΟΝΟΔΙΑΚΟΠΤΗΣ (TIMER) όταν η μονάδα βρίσκεται εκτός λειτουργίας. Ρυθμίστε το χρόνο με τα βέλη αύξησης και μείωσης στον πίνακα ελέγχου ή στο τηλεχειριστήριο. Όταν ενεργοποιηθεί ο χρονοδιακόπτης, εμφανίζεται μια ενδεικτική λυχνία στον πίνακα ελέγχου.

4. Ρύθμιση της ταχύτητας του ανεμιστήρα. Πατήστε το πλήκτρο ΤΑΧΥΤΗΤΑ (SPEED) στον πίνακα ελέγχου για να επιλέξετε την ταχύτητα του ανεμιστήρα. Στο τηλεχειριστήριο, πατήστε το πλήκτρο ΑΝΕΜΙΣΤΗΡΑΣ (FAN) για να επιλέξετε την ταχύτητα του ανεμιστήρα.

5. Βαθμοί Κελσίου/Φαρενάιτ Στον πίνακα ελέγχου, πατήστε ταυτόχρονα τα βέλη αύξησης και μείωσης για εναλλαγή της μονάδας μέτρησης μεταξύ Κελσίου και Φαρενάιτ.

6. Λειτουργία ύπνου. Χρησιμοποιήστε τη λειτουργία ύπνου κατά τη διάρκεια της νύχτας και η μονάδα δεν θα διαταράξει τον ύπνο σας. Όταν βρισκόσθε σε λειτουργία ψύξης, πιέστε ταυτόχρονα τα πλήκτρα TIMER (ΧΡΟΝΟΔΙΑΚΟΠΤΗΣ) και UP (ΑΥΞΗΣΗ) για να εισέλθετε στη λειτουργία ύπνου. Στο τηλεχειριστήριο, πιέστε το πλήκτρο ΥΠΝΟΣ (SLEEP). Πιέστε ξανά για απενεργοποίηση.

7. Λειτουργία αυτόματης ταλάντευσης. Πιέστε ταυτόχρονα τα πλήκτρα ΧΡΟΝΟΔΙΑΚΟΠΤΗΣ (TIMER) και ΤΑΧΥΤΗΤΑ (SPEED) για να ενεργοποιήσετε τη λειτουργία ταλάντευσης. Στο τηλεχειριστήριο, πιέστε το πλήκτρο Αυτόματης ταλάντευσης. Πιέστε ξανά για απενεργοποίηση.

8. Λειτουργία αυτόματου καθαρισμού. Πιέστε το πλήκτρο AUTO-CLEAN (ΑΥΤΟΜΑΤΟΣ ΚΑΘΑΡΙΣΜΟΣ) στο τηλεχειριστήριο για να καθαρίσετε τη μονάδα εσωτερικά. Η μονάδα θα καθαρίσει για 3 λεπτά πριν από τη διακοπή λειτουργίας.

ΛΕΙΤΟΥΡΓΙΕΣ ΠΡΟΣΤΑΣΙΑΣ

Αυτόματη απόψυξη

Η μονάδα θα ξεπαγώσει αυτόματα όταν χρειαστεί. Στη λειτουργία απόψυξης, η οθόνη δείχνει E4 και δεν εμφανίζονται πλήκτρα εκτός από το πλήκτρο ΤΡΟΦΟΔΟΣΙΑ (POWER).

Προστασία συμπιεστή

Η μονάδα διαθέτει μια λειτουργία προστασίας του συμπιεστή που επιβάλλει την καθυστέρηση της έναρξης λειτουργίας για διάστημα 3 λεπτών μετά την επανεκκίνηση της μονάδας.

ΛΕΙΤΟΥΡΓΙΑ ΤΩΝ ΤΡΟΠΩΝ ΛΕΙΤΟΥΡΓΙΑΣ ΚΑΙ ΠΕΡΙΓΡΑΦΕΣ ΕΓΚΑΤΑΣΤΑΣΗΣ

Συναγερμός πλήρους δοχείου νερού

Όταν το δοχείο του νερού είναι γεμάτο, η μονάδα θα σταματήσει να λειτουργεί. Στην οθόνη εμφανίζεται μια ενδεικτική λυχνία πλήρους δοχείου νερού και ακούγεται ένας ήχος προειδοποίησης. Αδειάστε το δοχείο του νερού και επανεκκινήστε τη μονάδα.

Οδηγίες αποστράγγισης νερού

Αδειάστε το δοχείο του νερού

Ξεβιδώστε την τάπα αποστράγγισης και αφαιρέστε το πώμα του νερού. Αδειάστε το δοχείο του νερού και επανατοποθετήστε το πώμα του νερού και την τάπα αποστράγγισης.

Σημειώσεις:

- Μετακινήστε τη μονάδα με προσοχή για να αποφύγετε τυχόν διαρροή.
- Γείρετε τη μονάδα ελαφρώς προς τα πίσω κατά την αποστράγγιση.
- Μπλοκάρτε την οπή αποστράγγισης το συντομότερο δυνατόν πριν ο δίσκος γεμίσει αν δεν μπορεί να συγκρατήσει όλη την ποσότητα του νερού που υπάρχει στη μονάδα για να αποτρέψετε τη διαρροή του νερού και να μην βραχεί το δάπεδο ή το χαλί.
- Το πώμα του νερού και η τάπα αποστράγγισης πρέπει να είναι σφικτά τοποθετημένα, ώστε να μην βραχεί το δάπεδο ή το χαλί από νέα συμπυκνώματα, όταν η μονάδα επανεκκινήσει τη λειτουργία της.

Σύνδεση ενός εύκαμπτου σωλήνα νερού για συνεχή αποστράγγιση

Ξεβιδώστε την τάπα αποστράγγισης και αφαιρέστε το πώμα του νερού. Προσαρμόστε έναν εύκαμπτο σωλήνα νερού 13 mm στο σωλήνα της μονάδας. Οδηγήστε το άλλο άκρο του εύκαμπτου σωλήνα νερού σε μια αποχέυση. Βεβαιωθείτε ότι το νερό αδειάζει προς τα κάτω.

Σημειώσεις:

- Ο εύκαμπτος σωλήνας αποστράγγισης πρέπει να τοποθετείται όταν δεν υπάρχει νερό στο δίσκο.
- Προτείνεται να μην χρησιμοποιείτε τη συνεχή αποστράγγιση όταν η μονάδα είναι σε λειτουργία ΨΥΞΗΣ (COOL), ώστε να διασφαλίζεται η ύπαρξη αρκετής ποσότητας νερού ανακύκλωσης στη μονάδα για την ενίσχυση της απόδοσης ψύξης του συστήματος.
- Βάλτε τον εύκαμπτο σωλήνα αποστράγγισης σε ένα απρόσιτο μέρος, όχι υψηλότερα από την οπή αποστράγγισης και κρατήστε τον εύκαμπτο σωλήνα αποστράγγισης σε ευθεία χωρίς να τον

λυγίσετε.

- Φυλάσσετε σε ασφαλές μέρος την τάπα αποστράγγισης και το πώμα της όταν χρησιμοποιείτε τη συνεχή αποστράγγιση.

Το φίλτρο αέρα

Το φίλτρο αέρα αποτρέπει την είσοδο της σκόνης και τη βρωμιά στη συσκευή, παρατείνοντας την πιθανή διάρκεια ζωής της. Είναι σημαντικό το φίλτρο καθαρίζεται τακτικά. Διαφορετικά η μονάδα μπορεί να υποστεί σοβαρή ζημιά. Επομένως, καθαρίζετε τα φίλτρα τουλάχιστον μία φορά κάθε δύο εβδομάδες.

Καθαρισμός φίλτρου

1. Αφαιρέστε το φίλτρο.
2. Πλύνετε το φίλτρο με ζεστό νερό και ένα ήπιο καθαριστικό. Εναλλακτικά, μπορείτε να καθαρίσετε το φίλτρο με ηλεκτρική σκούπα.
3. Αφήστε το φίλτρο να στεγνώσει και τοποθετήστε το ξανά στη θέση του.

Εγκατάσταση φίλτρου

Στοχεύστε το άκρο του φίλτρου προς την υποδοχή και στη συνέχεια σπρώξτε απαλά το φίλτρο στην υποδοχή.

Σημειώσεις:

- Φροντίστε να εγκαταστήσετε πρώτα το φίλτρο στο πλευρικό πλαίσιο και στη συνέχεια το φίλτρο στο πίσω πλαίσιο.
- Εγκαταστήστε το φίλτρο με αντίθετη κατεύθυνση από αυτήν της αφαίρεσης.
- Εγκαταστήστε απαλά το φίλτρο στη θέση του για να αποφύγετε την πρόκληση οποιασδήποτε ζημιάς στο φίλτρο.

Είναι πολύ σημαντικό το φίλτρο να καθαρίζεται τακτικά. Σε αντίθετη περίπτωση, το κλιματιστικό μπορεί να χάσει την ικανότητά του και να υποστεί σοβαρή βλάβη.

Οδηγίες αποθήκευσης

Αποθήκευση τηλεχειριστηρίου

1. Τοποθετήστε το τηλεχειριστήριο στην ενσωματωμένη υποδοχή στην αριστερή πλευρά της μονάδας.
2. Πιέστε απαλά το κάτω μέρος της ενσωματωμένης υποδοχής για να την ανοίξετε και να πάρετε το τηλεχειριστήριο.

Αποθήκευση τέλους εποχής

1. Βιδώστε την τάπα αποστράγγισης και τραβήξτε το πώμα για να στραγγίξει πλήρως το νερό συμπυκνώματος.

2. Διατηρήστε τη μονάδα σε λειτουργία ανεμιστήρα για μισή ημέρα ώστε να στεγνώσει εντελώς το εσωτερικό της μονάδας και να αποτρέψετε τη δημιουργία μούχλας.
3. Απενεργοποιήστε τη μονάδα, τραβήξτε το βύσμα και στη συνέχεια τυλίξτε το καλώδιο τροφοδοσίας γύρω από τα άγκιστρα περιτύλιξης του καλωδίου, τοποθετήστε το βύσμα στην οπή γενικής στερέωσης στο πίσω μέρος της μονάδας, τοποθετήστε το πώμα του νερού και την τάπα αποστράγγισης.
4. Αφαιρέστε το συγκρότημα του εύκαμπτου σωλήνα εξαγωγής της θερμότητας, καθαρίστε και φυλάξτε το σωστά.

Σημειώσεις:

- Κατά την αφαίρεση συγκρατήστε το συγκρότημα του εύκαμπτου σωλήνα εξαγωγής και με τα δύο χέρια.
 - Σπρώξτε τους συνδετήρες στην άκρη στην έξοδο του αέρα χρησιμοποιώντας τους αντίχειρες σας και, στη συνέχεια, τραβήξτε προς τα έξω το συγκρότημα του εύκαμπτου σωλήνα εξαγωγής.
5. Συσκευάστε σωστά το κλιματιστικό με μια μαλακή πλαστική σακούλα και αποθηκεύστε το σε ξηρό μέρος λαμβάνοντας κατάλληλα μέτρα προστασίας από τη σκόνη φυλάσσοντας τη μονάδα μακριά από τα παιδιά.
 6. Αφαιρέστε τις μπαταρίες από το τηλεχειριστήριο και φυλάξτε το σωστά.

Σημείωση:

- Βεβαιωθείτε ότι η μονάδα αποθηκεύεται σε ξηρό μέρος.
- Όλα τα αξεσουάρ της μονάδας πρέπει να προστατεύονται σωστά.

Συντήρηση

Καθαρίστε τον συμπυκνωτή με το απορρυπαντικό καθαρισμού της Wood's. Διαβάστε περισσότερα για το πώς να καθαρίσετε τη μονάδα σας στην ηλεκτρονική διεύθυνση woods.se Καθαρίστε τη μονάδα με ένα μαλακό υγρό πανί. Μην χρησιμοποιείτε διαλύτες ή ισχυρά καθαριστικά, καθώς αυτές οι ουσίες μπορούν να βλάψουν την επιφάνεια της μονάδας.

Σέρβις

Εάν το κλιματιστικό απαιτεί σέρβις, πρέπει πρώτα να επικοινωνήσετε με το τοπικό σας κατάστημα λιανικής πώλησης. Για οποιαδήποτε αξίωση εγγύησης απαιτείται η απόδειξη αγοράς.

ΠΡΟΒΛΗΜΑ	ΑΙΤΙΑ	ΑΠΟΚΑΤΑΣΤΑΣΗ
Αποτυχία εκκίνησης της μονάδας	Πρόβλημα τροφοδοσίας Πλήρες δοχείο νερού με αναμμένο το σχετικό εικονίδιο Η θερμοκρασία περιβάλλοντος είναι πολύ χαμηλή ή πολύ υψηλή Η θερμοκρασία του δωματίου είναι χαμηλότερη από τη ρύθμιση της θερμοκρασίας σε λειτουργία ψύξης ή υψηλότερη από τη ρύθμιση της θερμοκρασίας στη λειτουργία θέρμανσης	Συνδέστε τη μονάδα σε μια πρίζα τροφοδοσίας και ενεργοποιήστε την Αποστραγγίστε το νερό που είναι αποθηκευμένο στη μονάδα. Συνιστάται η χρήση αυτής της μονάδας μεταξύ 8 - 35 °C Αλλάξτε τη ρύθμιση της θερμοκρασίας
Μη ικανοποιητική ψύξη	Έκθεση σε άμεσο ηλιακό φως Οι πόρτες και τα παράθυρα είναι ανοικτά, το δωμάτιο είναι γεμάτο κόσμο ή υπάρχουν άλλες πηγές θερμότητας Βρώμικο φίλτρο Υπάρχει εμπλοκή στην είσοδο ή στη έξοδο του αέρα	Κλείστε τις κουρτίνες των παραθύρων Κλείστε τις πόρτες και τα παράθυρα, απομακρύνετε άλλες πηγές θερμότητας Καθαρίστε ή αντικαταστήστε το πλέγμα του φίλτρου Αφαιρέστε την απόφραξη
Υψηλό επίπεδο θορύβου	Η μονάδα είναι τοποθετημένη σε άνιση επιφάνεια.	Τοποθετήστε τη μονάδα σε επίπεδη και σταθερή θέση (μπορεί να μειώσει το θόρυβο)
Ο συμπιεστής δεν λειτουργεί	Έναρξη της προστασίας από υπερθέρμανση	Περιμένετε μέχρι να μειωθεί η θερμοκρασία, η μονάδα θα επανεκκινήσει αυτόματα
Το τηλεχειριστήριο δεν λειτουργεί	Πολύ μεγάλη απόσταση Το τηλεχειριστήριο δεν στοχεύει στον υποδοχέα σήματος στη μονάδα. Οι μπαταρίες δεν έχουν ηλεκτρισμό	Φέрте το τηλεχειριστήριο κοντά στο κλιματιστικό και βεβαιωθείτε ότι στοχεύετε τον υποδοχέα σήματος στη μονάδα. Αντικαταστήστε τις μπαταρίες
Εάν αντιμετωπίζετε πρόβλημα με το κλιματιστικό σας, ανατρέξτε στις παρακάτω οδηγίες αντιμετώπισης προβλημάτων. Εάν τίποτα από τα παρακάτω δεν έχει αποτέλεσμα, επικοινωνήστε με το κατάστημα λιανικής πώλησης για το σέρβις του κλιματιστικού σας.		

Κωδικός σφάλματος		
CH01	Βλάβη αισθητήρα θερμοκρασίας δωματίου	Ελέγξτε τον αισθητήρα θερμοκρασίας δωματίου και τα συναφή κυκλώματα
CH02	Βλάβη αισθητήρα θερμοκρασίας σωλήνα	Ελέγξτε τον αισθητήρα θερμοκρασίας σωλήνα και τα συναφή κυκλώματα
E4	Προστασία κατά του παγώματος	Μόλις ολοκληρωθεί η προστασία κατά του παγώματος οι λειτουργίες αποκαθίστανται αυτόματα.
FL	Το δοχείο νερού στο σασί είναι γεμάτο	Αποστραγγίστε το συμπύκνωμα και επανεκκινήστε τη μονάδα

Εγγυήσεις

2 χρόνια εγγύηση καταναλωτών κατά των βλαβών από την παραγωγή. Σημειώσετε ότι η εγγύηση ισχύει μόνο με την επίδειξη της απόδειξης αγοράς. Η εγγύηση ισχύει μόνο εάν το προϊόν χρησιμοποιείται σύμφωνα με τις οδηγίες και τις προειδοποιήσεις ασφαλείας που αναφέρονται ρητά στο παρόν εγχειρίδιο. Η εγγύηση δεν καλύπτει ζημιές που προκαλούνται από ακατάλληλο χειρισμό του προϊόντος.

ΣΗΜΕΙΩΣΗ: Η εγγύηση 2 ετών ισχύει μόνο για οικιακή και όχι για επαγγελματική χρήση της μονάδας.



ΣΗΜΕΙΩΣΗ!

Εγγραφείτε στον ιστότοπο www.warranty-woods.com και διαβάστε σχετικά με το πώς μπορείτε να αποκτήσετε την εκτεταμένη εγγύηση. Επισκεφτείτε την ηλεκτρονική διεύθυνση woods.se για περισσότερες πληροφορίες.

Συνιστώμενα όρια χρήσης

Η καλύτερη θερμοκρασία περιβάλλοντος για τη λειτουργία ψύξης είναι μεταξύ 17 και 35 °C. Η μονάδα λειτουργεί μέχρι τους + 45 °C. Παράμετρος ασφαλείας: φ 5,0 x 20 mm 3,15 A, 250 Vac.

ΤΕΧΝΙΚΑ ΔΕΔΟΜΕΝΑ

	AC Cortina 12K Duo
Ψυκτική ικανότητα	3.520 W
Κατανάλωση ενέργειας	1.350 W
Ροή αέρα:	420m ³ / h
Ενεργειακή κλάση	A
Αφύγραση	33,6 L / 24h
Ρύθμιση θερμοκρασίας	17-30°C
Θερμοκρασία λειτουργίας	16-45°C
EER	2,6
Μήκος εύκαμπτου σωλήνα εξαγωγής	1,5 m
Διάμετρος εύκαμπτου σωλήνα εξαγωγής	15 cm
Ψυκτικό μέσο	R290/260g
Επίπεδο θορύβου σε ντεσιμπέλ	56dB / 64dB
Βάρος	33,4 kg
Διαστάσεις σε mm, Μ x Π x Υ	850x471x355

*Μπορεί να προκύψουν τεχνικές αλλαγές και βελτιώσεις. Όλες οι τιμές είναι κατά προσέγγιση και ενδέχεται να ποικίλλουν λόγω εξωτερικών περιστάσεων, όπως η θερμοκρασία, ο εξαερισμός και η υγρασία.



*Η σήμανση αυτή υποδεικνύει ότι το προϊόν αυτό δεν πρέπει να απορρίπτεται με άλλα οικιακά απόβλητα σε ολόκληρη την Ε.Ε. Για την αποτροπή ενδεχόμενης βλάβης του περιβάλλοντος ή της ανθρώπινης υγείας από την ανεξέλεγκτη διάθεση αποβλήτων, ανακυκλώστε το υπεύθυνα για την προώθηση της αειφόρου επανάχρησης των υλικών πόρων. Για να μας επιστρέψετε τη συσκευή σας, παρακαλούμε χρησιμοποιήστε τα συστήματα επιστροφής και συλλογής ή επικοινωνήστε με το κατάστημα λιανικής πώλησης όπου αγοράσατε το προϊόν. Το προϊόν είναι κατάλληλο για περιβαλλοντικά ασφαλή ανακύκλωση.

Λειτουργία WiFi

1. Πραγματοποιήστε λήψη και εγκαταστήστε την εφαρμογή

Πραγματοποιήστε λήψη της εφαρμογής Woods Connect app από το App Store ή το Google Play

1. Εγγραφή / Είσοδος / Ξέχασα τον κωδικό πρόσβασης

Εγγραφή

Εάν δεν έχετε έναν λογαριασμό στην εφαρμογή, δημιουργήστε έναν λογαριασμό ή πραγματοποιήστε είσοδο με έναν κωδικό επαλήθευσης ο οποίος αποστέλλεται μέσω SMS.

Αυτή η σελίδα περιγράφει τη διαδικασία εγγραφής.

1. Πατήστε για να εισέλθετε στη σελίδα εγγραφής
2. Το σύστημα αναγνωρίζει αυτόματα τη χώρα / περιοχή σας. Μπορείτε επίσης να επιλέξετε τον κωδικό της χώρας σας. Πληκτρολογήστε τον αριθμό κινητού τηλεφώνου / τη διεύθυνση E-mail και πατήστε «Επόμενο».
3. Εάν εισαγάγετε τον αριθμό κινητού τηλεφώνου, πληκτρολογήστε τον κωδικό επαλήθευσης που εμφανίζεται στο μήνυμα που θα λάβετε πληκτρολογήστε τον κωδικό πρόσβασης και, πατήστε «Επιβεβαίωση» για να ολοκληρώσετε την εγγραφή σας.
4. Εάν εισαγάγετε τη διεύθυνση E-mail εισάγετε τον κωδικό πρόσβασης και πατήστε «Επιβεβαίωση» για να ολοκληρώσετε την εγγραφή σας.

2. Είσοδος με το όνομα χρήστη και τον κωδικό πρόσβασης ή τον κωδικό επαλήθευσης που λάβατε μέσω SMS

Συνδεθείτε με το όνομα χρήστη και τον κωδικό πρόσβασης

1. Το σύστημα αναγνωρίζει αυτόματα τη χώρα / περιοχή σας. Μπορείτε επίσης να επιλέξετε τον κωδικό της χώρας σας. Πληκτρολογήστε τον αριθμό κινητού τηλεφώνου / τη διεύθυνση E-mail και πατήστε «Επόμενο»

2. Εισαγάγετε τον καταχωρημένο αριθμό κινητού ή τη διεύθυνση Email και τον κωδικό πρόσβασης για να συνδεθείτε.

Είσοδος με κωδικό επαλήθευσης

1. Πατήστε «Είσοδος με επαλήθευση μέσω SMS» σε νέα σελίδα
2. Το σύστημα αναγνωρίζει αυτόματα τη χώρα / περιοχή σας. Μπορείτε επίσης να επιλέξετε οι ίδιοι τον κωδικό της χώρας σας.

Ξέχασα τον κωδικό πρόσβασης
Εάν ξεχάσατε τον κωδικό πρόσβασης σας, ακολουθήστε τα παρακάτω:

1. Πατήστε «Ξέχασα τον κωδικό πρόσβασης»
2. Το σύστημα αναγνωρίζει αυτόματα τη χώρα / περιοχή σας. Μπορείτε επίσης να επιλέξετε οι ίδιοι τον κωδικό της χώρας σας. Πληκτρολογήστε τον αριθμό κινητού τηλεφώνου / τη διεύθυνση E-mail και πατήστε «Επόμενο»
3. Εισαγάγετε τον κωδικό επαλήθευσης που λάβατε στο μήνυμα / στη διεύθυνση E-mail και πληκτρολογήστε τον νέο κωδικό πρόσβασης πατήστε «Επιβεβαίωση» για να ολοκληρώσετε.

Η σύνδεση μέσω Wi-Fi της Woods υποστηρίζει τις παρακάτω λειτουργίες:

Ενεργοποίηση / Απενεργοποίηση
Λειτουργία ψύξης
Λειτουργία αφύγρανσης
Λειτουργία ανεμιστήρα
Λειτουργία Eco
Ρυθμίσεις θερμοκρασίας
Ταχύτητα: Χαμηλή, μεσαία και υψηλή
Χρονοδιακόπτης: 1 - 24 ώρες
Ύπνου: On / Off
Αυτόματος καθαρισμός: On / Off
Κλείδωμα: On / Off
Κελσίου/Φαρενάιτ
Ταλάντευση: On / Off

3. Ακολουθήστε τις διαδικασίες στην εφαρμογή για να απολαύσετε τη σύνδεση μέσω Wi-Fi.

Smart Home

Εάν έχετε ένα προϊόν Smart Home, ολοκληρώστε το βήμα 1 έως 3.

Υπηρεσία πρόσβασης άλλου κατασκευαστή: Πατήστε ένα εικονίδιο φωνητικής υπηρεσίας άλλου κατασκευαστή για να δείτε πώς μπορείτε να συνδεθείτε στην υπηρεσία.
Θα βρείτε αυτά τα εικονίδια

Η υπηρεσία Smart Home Woods Connect υποστηρίζει τις παρακάτω λειτουργίες μέσω φωνητικών εντολών:

Ενεργοποίηση / Απενεργοποίηση Ρυθμίσεις θερμοκρασίας

Για περισσότερες πληροφορίες επισκεφτείτε την ηλεκτρονική διεύθυνση:
<https://woods.se/en/>

WOOD FYRIR HREINT OG HEILBRIGT INNANHÚSLOFT

Vörumerkið Wood fæddist með Wood-fjölskyldunni fyrir rúmum 65 árum í kanadísku borginni Guelph, Ontario. Þar hóf Wood að þróa og framleiða rakaeyða árið 1950. Síðan þá hefur Wood aðstoðað nokkur hundruð þúsund heimila við að koma í veg fyrir skemmdir vegna myglu og anda að sér hreinu lofti. Færanlegi loftkælirinn okkar er hentugur til notkunar í flestum tegundum loftslags, þar sem afkastageta hans er mikil, einnig við mismunandi hita- og rakastig. Þau eru notuð með góðum árangri á stöðum þar sem raki er, s.s. í dagstofum, skrifstofum og svefnherbergjum. Það magn heits lofts sem loftkælirinn fjarlægir fer eftir hitastigi, rakastigi og staðsetningu tækisins. Ytri veðurskilyrði geta einnig haft áhrif á afköst loftkælisins.

Loftkælarnir frá Wood eru öruggir í notkun og endast árum saman við stöðuga notkun.

HVERNIG VINNUR LOFTKÆLINGARBÚNAÐUR?

Lágur þrýstingur framleiðir kalt loft. Aðal búnaður loftkælisins er kælivökvi sem undir lágum þrýstingi er breytt í gas. Ferlið „býr til kulda“, sem er sendur inn samtímis sem að heitu lofti er haldið úti. Fljótandi kælivökvi fer í gegnum þenslulentil og í rör þar sem þrýstingur er lágur.

Kælivökvinn gufar upp og verður að gasi. Ferlið sagnar að sér hita frá umhverfinu og rörið kælist.

Viftur blása köldu loftinu inn í herbergið. Gasið fer í gegnum pressu sem eykur þrýstinginn og breytir gasinu í vökva. Í þessu ferli, er hita sleppt út, hann leiddur í rör yfir í gagnstæða hlið og síða er hann blásinn út með viftu.

Hitastillir slekkur á tækinu þegar innanhússhitinn hefur kólnað nægilega.

1. ÖRYGGISVIÐVARANIR



Eldfim efni. Þetta tæki inniheldur R290/ própan sem er eldfimt kæliefni.



Notið þessa handbók til að sjá öryggisupplýsingar



Lesið tæknihandbók



Lesið notkunarhandbók.

ÖRYGGISUPPLÝSINGAR

Áður en þú setur upp tækið og byrjar að nota það skaltu lesa meðfylgjandi leiðbeiningar vandlega. Framleiðandi er ekki ábyrgur ef röng uppsetning og notkun valda meiðslum og tjóni. Geymdu leiðbeiningarnar með tækinu til að geta skoðað þær síðar.

Öryggi barna og viðkvæmra



VIÐVÖRUN

Hætta á meiðslum eða varanlegri fötlun.

Börn 8 ára og eldri og einstaklingar með skerta líkamlega getu, skynjun eða andlega getu, eða skort á reynslu og þekkingu geta notað þetta tæki undir eftirliti eða eftir að hafa fengið leiðbeiningar varðandi notkun tækisins á öruggan hátt og ef þau gera sér grein fyrir þeirri áhættu sem því fylgir.

Leyfið ekki börnum að leika sér með tækið.

Börnum yngri en 3 ára skal haldið frá tækinu nema undir stöðugu eftirliti.

Geymið allar umbúðir fjarri börnum.

Börn skulu ekki annast hreinsun og viðhald án umsýjónar.

Almennt öryggi

Þetta tæki er ætlað til nota á heimilum og svipuðum rýmum svo sem: Dagstofum, alrýmum, starfsmannaeldhúsum í verslunum, skrifstofum og öðru vinnuumhverfi. Flokkunarplatan er staðsett aftan á eða á hlið loftkælisins. Haldið aðskotahlutum fjarri loftopum.

Notið ekki vélbúnað eða aðrar aðferðir til að hraða afslingu en þær sem framleiðandi mælir með. Ekki skal geyma tækið í herbergi þar sem neistagjafar eru í gangi (opnir logar, gastæki eða rafmagnshitatar). Gatið ekki eða brennið.

Hafið í huga að kæliefni geta verið lyktarlaus. Notið ekki vatnsúða eða gufu til að hreinsa tækið.

Hreinsið tækið með rökum mjúkum klút. Notið aðeins hlutlaus hreinsiefni. Notið ekki slípvörur, slípiefnasvampa, leysiefni eða málmhluti.

Ef rafmagnssnúran er skemmd þarf að skipta um hana hjá framleiðanda, viðurkenndum viðgerðaraðila eða sambærilegum aðila til að forðast að hættulegar aðstæður skapist.

ÖRYGGISLEIÐBEININGAR**Uppsetning****VIÐVÖRUN**

Aðeins hæfur aðili skal annast uppsetningu tækisins. Fjarlægið allar umbúðir. Setjið ekki upp eða notið skemmt tæki. Tækið skal ekki setja upp, nota og geyma í herbergi sem er með stærrri gólfplöt en 12,5 m². Fylgja skal þeim leiðbeiningum um uppsetningu sem fylgja tækinu. Sýnið ávallt aðgát þegar tækið er fært því það er þungt. Klæðist ávallt öryggishönskum. Hafið í huga að kæliefni geta verið lyktarlaus.

Gangið úr skugga um að loft leiki óhindrað umhverfis tækið. Bíðið í að minnsta kosti 4 klukkustundir áður en tækið er tengt við rafmagn. Þetta er til að leyfa olíunni að renna til baka í pressuna. Setjið ekki tækið nálægt ofnum eða öðrum hitagjöfum. Setjið ekki tækið í beint sólarljós.

Rafmagnstenging**VIÐVÖRUN**

Hætta á bruna og raflosti. Tækið skal tengja við jarðtengda innstungu. Gangið úr skugga um að rafmagnsupplýsingarnar á flokkunarmerkinu séu í samræmi við orkugjafann. Ef ekki, skal hafa samband við rafvirkja. Notið ávallt rétt uppsetta höggþétta innstungu. Notið ekki fjöltengi og

framlengingarsnúrur. Gætið þess að valda ekki skemmdum á rafíhlutum (t.d. tengjum, snúrum). Hafið samband við viðurkennda þjónustumiðstöð eða rafvirkja til að skipta um rafíhluti. Snúran verður að vera fyrir neðan innstunguna/klóna. Tengjið ekki klóna við innstunguna fyrr en uppsetningu er lokið. Gangið úr skugga um að hægt sé að komast að klónni eftir uppsetningu. Dragið ekki í rafmagnssnúruna til að aftengja tækið. Togaðu alltaf í klóna sjálfa.

Notkun**VIÐVÖRUN**

Hætta á meiðslum, bruna, raflosti eða eldsvoða. Breytið ekki eiginleikum tækisins.

Gætið þess að valda ekki skemmdum á kælihringrásinni. Hún inniheldur própan (R290), náttúrulegt gas með háa umhverfissamhæfni. Þetta gas er eldfimt.

Ef skemmdir eiga sér stað í kælihringrásinni skal ganga úr skugga um að engir logar eða og neistagjafar séu í herberginu. Loftræstið herbergið. Setjið ekki eldfimar vörur eða hluti sem eru bleyttir með eldfimum efnum nálægt tækinu eða ofan á það.

Förgun**VIÐVÖRUN**

Hætta á meiðslum. Takið tækið úr sambandi. Klippið rafmagnssnúruna af og fleggið henni. Kælihringrásin í þessu tæki er ósónvæn. Hafið samband við viðkomandi aðila í þínu landi til að fá upplýsingar um hvernig þú fargar tækinu á réttan hátt. Valdið ekki skemmdum á þeim hluta kælieiningarinnar sem er nálægt hitaskiptinum.

FYRSTA UPPSETNING LOFTKÆLIS

MIKILVÆGT:

2. Uppsetning

FYRIR FYRSTU NOTKUN

Látið tækið standa í 4 klst fyrir notkun

Val á staðsetningu

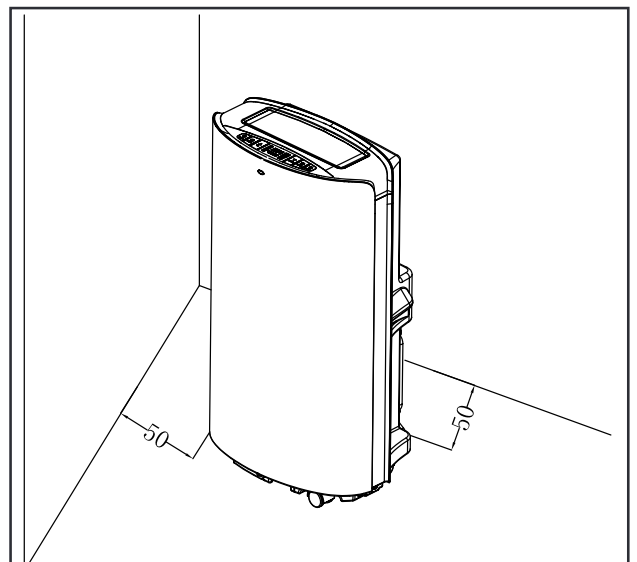
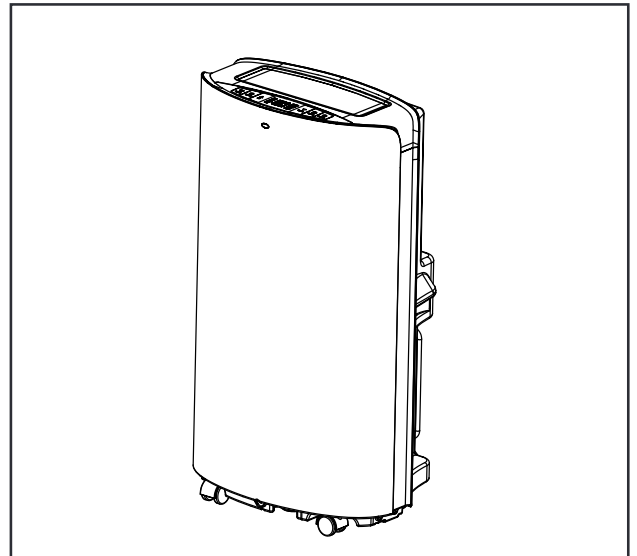
Mikilvægt

1. Loftkælinn má auðveldlega færa til innandyra. Halda skal tækinu í uppréttri stöðu þegar það er fært. Staðsetja skal loftkælinn á sléttu yfirborði. Ekki skal setja tækið upp eða not það í baðherbergi eða öðru blautu umhverfi. Þar sem að færanlegi loftkælirinn er á hjólum er auðvelt að færa hann. Þegar hitinn hækkar er færanlegi loftkælirinn einfaldlega færður inn í herbergið og getur um leið farið að kæla niður rýmið. Loftkælinn skal nota í lokuðu rými til þess að afköstin verði sem best. Lokið öllum hurðum, gluggum og öðrum utanaðkomandi loftopum herbergisins. Afköst loftkælisins byggjast á hita- og rakastigi.

2. Staðsetja skal loftkælinn þannig að loftflæðið inn um framhlið tækisins sé óhindrað.

3. Loftkælir sem starfar í herbergi hefur lítil sem engin áhrif til þurrkunar í lokuðum geymslurýmum svo sem skápum nema að loftflæði sé inn og út úr rýminu. Færanlegur loftkælir flytur hitann frá tækinu með loftbarka út um glugga eða loftræstiop.

4. Það ætti að vera að lágmarki 50 cm fjarlægð milli loftkælisins og nærliggjandi hluta. Sjá mynd.



VÖRULÝSING

3. Vörulýsing

A

1. Aðal eining loftkælisins
2. Fjarstýring
3. Rafhlöður
4. Notendahandbók
5. Beygjutengi
6. Útblástursbarki
7. Millistykki
8. Gluggasett

B

1. Loftkælir séður frá hlið

C

1. Framhlið
2. Móttökugluggi fyrir fjarstýringu
3. Stjórnborð
4. Topp hluti
5. Horizontal louver
6. Hægri skrautborð
7. Efri síubúnaður á bakhlið
8. Hólf fyrir fjarstýringu
9. Vínstra skrautborð
10. Rafmagnssnúra með kló
11. Snúruhaldari
12. Lægri síubúnaður á bakhlið
13. Frárennslislok
14. Hjól
15. Síubúnaður á hlið
16. Hlíðargrill
17. Festingar
18. Handfang
19. Beygjutengi fyrir útblástursbarka
20. Útblástursbarki
21. Millistykki á útblástursbarka
22. Gluggasett

D

1. Bakhlið aðal kælitækisins

E

1. Loftúttak
2. Stjórnborð

F

1. Stjórnborð

G

1. Tímahnappur
2. Hraðahnappur
3. Upp-hnappur
4. Niður-hnappur
5. Stillingahnappur
6. Aðalhnappur
7. Vísir fyrir kælistillingu
8. Vísir fyrir rakaeyðistillingu
9. Vísir fyrir viftustillingu
10. Vísir fyrir orkusparnaðarstillingu
11. Vísir fyrir WiFi
12. Vísir fyrir sjálfvirka sveiflun
13. Vísir fyrir sjálfvirka hreinsun
14. Vísir fyrir fullan vatnstank
15. Vísir fyrir svefnstillingu
16. Vísir fyrir viftuhraðastillingu
17. Vísir fyrir tímastillingu
18. Vísir fyrir tíma á tímastillingu
19. Vísir fyrir hita

H

1. Hvernig síurnar eru teknar úr

I

1. Takið í síuhandfangið og dragið það varlega út í rétta átt.
2. Hreinsið agnir úr síunni með hreinsiefni ef það er nauðsynlegt.
3. Dýfið síunni og þvoið hana varlega í volgu vatni (um 40 C) blönduðu með hlutlausu þvottaefni, og skolið hana síðan vandlega og þurrkið í skugga.

J

1. Festingar
2. Hólf
3. Útblástursbarkabúnaður

K

1. Fjarstýringarhólf
2. Fjarstýring
3. Stefna fjarstýringar

L

1. Upp og niður-hnappur
2. Viftuhraðahnappur
3. Tímahnappur
4. Svefnhnappur
5. LCD-skjár
6. Aðalhnappur
7. Stillingahnappur
8. Hnappur fyrir sjálfvirka sveiflun
9. Hnappur fyrir sjálfvirka hreinsun

M

1. Áður en fjarstýring er tekin í notkun skal setja AAA-rafhlöður í fjarstýringuna.

N

1. Frárennslislok
2. Frárennslisslanga

O

1. Frárennslislok
2. Frárennslistappi
3. Vatn út

P

1. Takið annan enda útblástursbarkans, skrúfið endann rangsælis á beygjutengið með a.m.k. þremur snúningum.
2. Takið annan enda útblástursbarkans skrúfið millistykkið rangsælis á hann með a.m.k. þremur snúningum.
3. Útblástursbarkabúnaður

Q

1. Haldið tveimur endum gluggaþéttsplatananna þannig að þær leggist vel að gluggköntunum til að þær þétti vel.

R

1. Kælitæki tilbúið til notkunar

LÝSING Á STILLINGUM OG UPPSETNINGU

Uppsetning

Ef tækið hefur verið flutt lárétt skal hafa það í uppréttri stöðu í 4 klukkustundir áður en það er tekið í notkun.

Staðsetjið tækið á slétt og stöðugt yfirborð. Ekki skal setja tækið upp í baðherbergi eða í öðru blautu umhverfi.

Gangið úr skugga um að loftflæðið sé óhindrað, hafið ávallt a.m.k. 50 cm fjarlægð til annara flata.

UPPSETNING ÚTBLÁSTURSBARKA

1. Takið annan enda útblástursbarkans, skrúfið endann rangsælis á beygjutengið með a.m.k. þremur snúningum.
2. Takið annan enda útblástursbarkans skrúfið millistykkið rangsælis á hann með a.m.k. þremur snúningum.
3. Takið útblástursbarkann og leiðið hann út um hurð eða glugga.

NOTKUN GLUGGASSETTSINS

1. Þegar gluggasettið er notað skal opna gluggann og staðsetja gluggasettið annað hvort lárétt eða lóðrétt eftir því hvernig glugginn er.
2. Stillið lengd gluggasettsins og festið það með skrúfum.
3. Lokið glugganum og tengið millistykki útblástursbarkans við gluggasettið.

NOTKUN GLUGGASSETTSINS

Áður en fjarstýring er tekin í notkun skal setja AAA-rafhlöður í fjarstýringuna.

1. Þrýstið á og rennið rafhlöðuhlífinni og fjarlægið hana síðan.
2. Setjið tvær nýjar Alkaline AAA-rafhlöður í rafhlöðuhólfið og gætið þess að þau snúi rétt.
3. Setjið rafhlöðuhlífinna aftur á og gangið úr skugga um að hún lokist á réttan hátt með smelli.

Notið eingöngu Alkaline rafhlöður. Notið ekki endurhlaðanlegar rafhlöður. Þegar skipt er um rafhlöður skal alltaf skipta um báðar rafhlöður með nýjum rafhlöðum, blandið ekki saman gömlum og nýjum rafhlöðum.

Ef loftkælirinn er ekki í notkun í lengri tíma skal taka rafhlöðurnar úr fjarstýringunni.

Notkunarleiddbeiningar

1. Ræsing tækisins. Ýtið á POWER-hnappinn til að ræsa og stöðva tækið.
2. Velja stillingu. Tækið hefur 4 mismunandi stillingar: kælingu, rakaeyðingu, orksparnað og viftustillingu. Ýtið á MODE á stjórnborðinu eða fjarstýringunni til að velja stillingu.

- Kælistilling: Stillið æskilegan hita með örvunum á stjórnborðinu eða fjarstýringunni. Stilltur hiti er sýndur á skjánum.
- Rakaeyðing. Í rakaeyðingarstillingunni, snýst viftan aðeins á litlum hraða. Ekki hægt að stilla hitastig.
- Viftustilling. Pressan stöðvast og aðeins viftan snýst. Ekki hægt að stilla hitastig.
- Orkusparnaðarstilling. Lítil orkunotkun undir orkusparnaðarstillingu. Þegar umhverfishitastigið er hærra en stillt hitastig, vinnur tækið í kælistillingu. Þegar umhverfishitastigið hefur náð stilltu hitastigi, stöðvast pressan og efri viftan stöðvast einnig. Eftir 2 mínútur og 30 sekúndur mun efri viftan snúast á lágum hraða í 30 sekúndur. Ef að pressan fer ekki í gang (það er, umhverfishitastig er lægra en stillt hitastig), mun efri viftan ítrekað starfa í þessum ham (stöðva í 2 mínútur og 30 sekúndur/litill blástur í 30 sekúndur).

3. Tímastilling.

- Til að stilla slökkvitíma skal ýta á TIMER-hnappinn þegar tækið er í gangi.
- Til að stilla slökkvitíma skal ýta á TIMER-hnappinn þegar tækið er í gangi. Stilltu tíma með upp- og niður örvunum á stjórnborðinu eða fjarstýringunni. Þegar tímastillingin er virkjuð birtist ljós á stjórnborðinu.

4. Stilla viftuhraða. Ýtið á SPEED-hnappinn á stjórnborðinu til að velja viftuhraða. Á

fjarstýringunni, ýtið á FAN-hnappinn til að velja viftuhraða.

5. Celsius/Fahrenheit Á stjórnborðinu, ýtið á upp og niður örvar samtímis til að skipta á milli Celsius og Fahrenheit.
6. Svefnstilling. Notið svefnstillingu á nóttunni og þá truflar tækið ekki svefninn. Þegar tækið er í kælistillingu er ýtt á TIMER og UP samtímis til að velja svefnstillingu. Á fjarstýringunni er ýtt á SLEEP-hnappinn. Ýtið aftur til að slökkva.
7. Sjálfvirk sveifluvirkni. Ýtið á TIMER og SPEED-hnappinn samtímis til að virkja sveifluvirkni. Á fjarstýringunni er ýtt á Auto-Swing-hnappinn. Ýtið aftur til að slökkva.
8. Sjálfvirk hreinsun. Ýtið á AUTO-CLEAN-hnappinn á fjarstýringunni til að þrifa tækið að innanverður. Tækið þrífur 3 mínútur áður en það slekkur á sér.

VERNDUNAREIGINLEIKAR

Sjálfvirk afising

Tækið afísast sjálfkrafa þegar þörf krefur. Í afisingarham sýnir skjárinn E4 og engir hnappar nema POWER-hnappurinn er virkur.

Vörn fyrir pressu

Tækið er búið pressuvörn sem veldur 3-mínútna töf þegar tækið hefur verið endurræst.

Viðvörn fyrir fullan vatnstank

Þegar vatnstankurinn er fullur hættir tækið að virka. Vísbending um fullan vatnstank birtist með ljósi á skjá og viðvörnarhljóði. Tæmið vatnstankinn og endurræsið tækið.

LÝSING Á STILLINGUM OG UPPSETNINGU

Leiðbeiningar um vatnsfrárennsli

Tæming vatnsgeymis

Skrúfið frárennislökið af og fjarlægið vatnstappann. Tæmið vatnstankinn og setjið vatnstappann og lokið á sinn stað.

Athugasemdir:

- Færið tækið varlega til að forðast leka.
- Hallið tækinu örlítið afturábak við tæmingu.
- Lokið frárennislöpinu eins fljótt og auðið er áður en bakkinn er fullur ef hann getur ekki rúmað allt vatnið til að hindra vatnsleka á gólf eða gólfteppi.
- Vatnstappann og lokið skal setja vandlega í til að hindra að nýtt þéttivatn leki á gólf eða teppið þegar þegar tækið fer aftur í gang.

Tenging vatnsslöngu fyrir stöðugt afrennsli

Skrúfið frárennislökið af og takið vatnstappann úr. Tengjið 13 mm vatnsslöngu við pípu á tækinu. Setjið hinn enda barkans í niðurfall. Gangið úr skugga um að vatnið geti runnið niður.

Athugasemdir:

- Frárennisslöngu skal seta í þegar ekkert vatn er í bakkanum.
- Ekki er ráðlagt að nota stöðugt frárennsli þegar tækið er í COOL-stillingu, til að tryggja nægilega vatnshringrás í tækinu til að auka afköst kælikerfisins.
- Setjið frárennisslönguna á óaðgengilegan stað, ekki hærra en frárennislöpið og hafið frárennisslönguna beina.
- Geymið lokið og tappann vel á meðan að stöðugt frárennsli er notað.

Loftsían

Loftsían kemur í veg fyrir að ryk og óhreinindi fari inn í tækið og eykur þannig endingartíma þess. Mikilvægt er að sían

sé hreinsuð reglulega. annars getur tækið skemmt alvarlega.. Því skal þrifa síur að minnsta kosti á tveggja vikna fresti.

Hreinsun á síu

1. Fjarlægið síuna.
2. Skolið hana með heitu vatni og mildu hreinsiefni. Einnig er hægt að ryksuga síuna.
3. Látið síuna þorna og setjið hana aftur á sinn stað.

Ísetning síu

Beinið enda síunnar inn að hólfinu og ýtið henni varlega inn.

Athugasemdir:

- Gangið úr skugga um að sían sé sett að hliðinni og síðan að bakhliðinni.
- Setjið síuna í öfugt við það þegar hún var tekin úr.
- Setja skal síuna varlega á sinn stað til að forðast skemmdir á henni.

Það er mjög mikilvægt að hreinsa síuna reglulega; annars getur dregið úr afkastagetu loftkælisins og hann jafnvel skemmt alvarlega.

Geymsluleiðbeiningar

Geymsla fjarstýringar

1. Setjið fjarstýringuna í innbyggða hólfið í vinstri hlið tækisins.
2. Ýtið varlega á neðri hluta innbyggða hólsins til að opna það og taka út fjarstýringu.

Geymsla við lok árstíða

1. Skrúfið frárennislökið af og takið vatnstappann úr til að tæma þéttivatn að fullu.
2. Hafið tækið í stillingu fyrir viftu í gangi í hálfan dag til að þurrka tækið alveg að innan til að koma í veg fyrir myglu.
3. Slökkvið á tækinu, takið það úr sambandi og vefjið snúrunni í

kringum snúruhaldarann, setjið klóna í festinguna á bakhlið tækisins og setjið vatnstappann og lokið á sinn stað.

4. Fjarlægið búnaðinn fyrir hitaútbástursbarkann, þrifið hann og geymið á góðum stað.

Athugasemdir:

- Haldið í búnaðinn fyrir útblástursbarkann með báðum höndum þegar hann er fjarlægður.
 - Ýtið festingunum á loftúttökunum til hliðar með þumalfingrunum og dragið síðan útblástursbarkabúnaðinn út.
5. Pakkið inn loftkælinum vandlega inn í mjúkan plastpoka og setjið hann á þurrum stað með viðeigandi rykvörn og haldið tækinu fjarri börnum.
 6. Takið rafhlöðurnar úr fjarstýringunni og geymið hana á góðum stað.

Ath:

- Tryggið að tækið sé geymt á þurrum stað.
- Vernda skal alla fylgihluti tækisins tryggilega saman.

Viðhald

Hreinsið þéttinn með hreinsiefnum frá Wood. Lesið nánar um hvernig á að þrifa tækið á woods.se Þrifið tækið með mjúkum rökum klút. Forðist að nota leysiefni eða sterk hreinsiefni þar sem það getur skemmt yfirborð tækisins.

Þjónusta

Ef loftkælirinn krefst viðhalds þarf fyrst að hafa samband við söluaðila. Sönnunar fyrir kaupum er krafist fyrir allar ábyrgðarkröfur.

VANDAMÁL	ORSÖK	ÚRRÆÐI
Tækið fer ekki í gang	Ekkert rafmagn að tækinu Vatnstankur fullur og táknið fyrir það logar Umhverfishitastig of lágt eða of hátt Hitastig herbergisins er lægra en stillt hitastig í kælistillingu eða hærra hitastig í kælistillingu	Tengið tækið við virka innstungu og kveikið á því Tæmið vatnið úr tækinu. Mælt er með að nota þessa einingu á bilinu 8-35 Breyta hitastillingu
Kælir illa	Það er beint sólarljós Hurðir og gluggar eru opnir, herbergið er fjölmennt eða það eru aðrar hitagjafa Óhrein sía Loftúttak eða loftinntak stíflað	Dragið gluggtjöld fyrir Lokið hurðinni og glugganum og fjarlægið aðra hitagjafa Hreinsið eða skiptið um síu Fjarlægið hindranir
Tækið er hávært	Tækið hefur verið sett á ójafnt yfirborð.	Setjið tækið á sléttan og stöðugan stað (getur dregið úr hávaða)
Pressan virkar ekki	Yfirhitavörn hefur virkjust	Bíðið þar til hitinn lækkar, þá mun tækið fara sjálfkrafa í gang aftur
Fjarstýringin virkar ekki	Of langt frá Fjarstýringunni ekki miðað að móttakara. Rafhlöðurnar tómar	Færið fjarstýringuna nær loftkælinum og beinið henni að móttakaranum. Skiptið um rafhlöður
Ef vandamál koma upp með loftkælinn; skoðið neðangreind atriði fyrir bilanaleit. Ef ekkert af neðangreindum úrræðum virka, vinsamlegast hafið samband við söluáðila til að fá viðhaldsþjónustu.		

Bilanakóðar		
CH01	Bilun í herbergishitaskynjara	Athugið herbergishitaskynjara og tengingar
CH02	Bilun í rörhitaskynjara	Athugið rörhitaskynjara og tengingar
E4	Frostvörn	Endurheimtir aðgerðir sjálfkrafa þegar frostvarnaraðgerð er lokið.
FL	Vatnstankur í tæki er fullur	Tæmið þéttivatnið og ræsið tækið aftur

Ábyrgðir

2 ára ábyrgð neytenda gagnvart framleiðslugöllum. Vinsamlegast athugið að ábyrgðin gildir aðeins gegn framvísun kvittunar. Ábyrgðin gildir aðeins ef varan er notuð í samræmi við þær leiðbeiningar og öryggisviðvaranir sem eru að finna í þessari handbók. Ábyrgðin nær ekki til tjóns sem stafar af óviðeigandi meðferð vörunnar.

ATH: 2 ára ábyrgðin á aðeins við um neytendur og er ekki fyrir notkun tækisins í atvinnuskyni.



ATH!

Skráðu þig á www.warranty-woods.com og lestu um hvernig þú færð aukna ábyrgð. Frekari upplýsingar er að finna á woods.se.

Ráðlögð mörk fyrir notkun

Besti umhverfshiti fyrir kælingu er 17-35 °C. Tækið getur unnið við hita upp að +45°C. Öryggjaupplýsingar: φ5,0x20mm 3,15A, 250Vac.

TÆKNILÝSING

AC Cortina 12K Duo

Kæligeta	3.520 W
Orkunotkun	1.350 W
Loftflæði	420m ³ / h
Orkuflokkur	A
Rakaeyðing	33,6 L / 24h
Hitastilling	17-30°C
Vinnuhiti	16-45°C
EER	2,6
Lengd útblástursbarka	1,5 m
Þvermál útblástursbarka	15 cm
Kæliefni	R290/260g
Hávaðastig í desibel	56dB / 64dB
Þyngd	33,4 kg
Mál í mm, L x B x H	850x471x355

*Tæknilegar breytingar og endurbætur geta átt sér stað. Öll gildi eru viðmiðanir og geta verið breytileg vegna utanaðkomandi aðstæðna s.s. hitastigs, loftræstingar og rakastigs.



*Þetta merki gefur til kynna að ekki skuli farga tækinu með öðru heimilissorpi innan ESB. Til að koma í veg fyrir mögulegt umhverfis- eða heilsutjón vegna rangrar förgunar skal koma tækinu í endurvinnslu þannig að förgun efna fari fram ábyrgan og sjálfbæran hátt. Þegar tækinu er skilað til förgunar skal nota viðeigandi skila- og söfnunarkerfi eða hafa samband við söluaðila tækisins. Þeir geta tekið á móti tækinu og komið því í endurvinnslu.

WiFi-eiginleikar

1. Sækja og setja upp forrit

Sækja Woods Connect App frá App Store eða Google Play

1. Nýskráning/Innskráning/gleymt lykilorð

Skrá

Ef þú ert ekki með App-reikning skaltu skrá þig á reikning eða skrá þig inn með staðfestingarkóða með SMS. Þessi síða lýsir skráningarferlinu.

1. Snertu til að opna skráningarsíðu
2. Kerfið þekkir sjálfkrafa land þitt/svæði. Einnig er hægt að velja landskóða. Sláðu inn farsímanúmerið/netfangið og ýttu á „Next“.
3. Ef þú slærð inn farsímanúmerið, sláðu þá inn staðfestingarkóðann í skilaboðunum og ýttu á „Confirm“ til að ljúka skráningunni.
4. Ef þú slærð inn tölvupóstinn, sláðu þá inn lykilorðið og ýttu á „Confirm“ til að klára skráninguna.

2. Skráðu þig inn með notandanafni og lykilorði eða staðfestingarkóða í gegnum SMS

Skráðu þig inn með notandanafni og lykilorði

1. Kerfið þekkir sjálfkrafa land þitt/svæði. Einnig er hægt að velja landskóða. Sláðu inn farsímanúmerið/tölvupóstinn og ýttu á „Next“
2. Sláðu inn skráð farsímanúmer þitt eða tölvupóst og lykilorð til að skrá þig.

Skráðu þig inn með staðfestingarkóða

1. Ýttu á „Sign in with SMS verification“ á nýja síðu
 2. Kerfið þekkir sjálfkrafa land þitt/svæði.
- Einnig er hægt að velja landskóða.

Gleymt lykilorð

Ef þú gleymdir aðgangsorðinu þínu skaltu fylgja þessu ferli:

1. Ýttu á „Forgot password“
2. Kerfið þekkir sjálfkrafa land þitt/svæði. Þú getur einnig sjálfur valið þinn landskóða. Sláðu inn farsímanúmerið/netfangið og ýttu á „Next“.
3. Sláðu inn staðfestingarkóðann í skilaboðunum/tölvupóstinum og ýttu á „Confirm“ til að ljúka skráningunni.

WiFi Woods Connect styður neðangreindar aðgerðir:

Kveikja/Slökkva
Kælistilling
Rakaeyðistilling
Viftustilling
Sparnaðarstilling
Hitastillingar
Hraði Lágur, meðal og hár
Tímastillir. 1-24 klst.
Svefn: Á/Af
Sjálfvirk hreinsun: Á/Af
Læsing: Á/Af
Celsius/Fahrenheit
Sveifla. Á/Af

3. Fylgdu ferlinu í FORRITINU til að nota WiFi.

Smart Home

Ef þú ert með Smart Home vöru skaltu framkvæma skref 1 til 3.

Þjónustuaðgangur þriðja aðila: Ýttu á tákníð fyrir raddþjónustu þriðja aðila til að sjá hvernig á að tengjast þjónustunni. Þú finnur þessi tákn

Smart Home Woods Connect styður neðangreindar aðgerðir með raddskipun:

Kveikja/Slökkva
Hitastillingar

Nánari upplýsingar er að finna á:
<https://woods.se/en/>

GB

This marking indicates that this product should not be disposed with other household wastes throughout the EU. To prevent possible harm to the environment or human health from uncontrolled waste disposal, recycle it responsibly to promote the sustainable reuse of material resources. To return your us device, please use the return and collection systems or contact the retailer where the product was purchased. They can take this product for environmental safe recycling.

NO

Denne merkingen indikerer at dette produktet ikke skal fjernes sammen med annet husholdningsavfall i hele EU. For å unngå mulig skader på miljøet og helse som følge av ukontrollert avfallshåndtering skal apparatet resirkulere på ansvarlig måte for å fremme bærekraftig gjenbruk av ressursene. For å returnere apparatet kan du bruke retur- og innsamlingsystemet eller ta kontakt med forhandleren der produktet ble kjøpt. De kan resirkulere dette produktet på miljøvennlig måte.

DA

Denne mærkning viser, at produktet ikke må bortskaffes sammen med almindeligt husholdningsaffald i EU. For at undgå eventuelle miljø- eller sundhedsmæssige skader på grund af ukontrolleret bortskaffelse af affald skal produktet genvindes på forsvarlig vis. Dermed fremmes bæredygtig genbrug af materielle ressourcer. For at returnere apparatet til os skal du bruge returnerings- og innsamlingsystemerne eller kontakte den forhandler, hvor produktet blev købt. Forhandleren kan sørge for, at produktet genvindes på miljømæssigt forsvarlig vis.

DE

Laut EU-Richtlinie 2002/96/EG darf dieses Gerät nicht mit normalem Siedlungsabfall entsorgt werden. Das Symbol der durchgestrichenen Abfalltonne am Produkt bzw. in der Bedienungsanleitung weist darauf hin, dass das Produkt getrennt vom normalen Abfall zu entsorgen ist, um zu einer geringeren Umweltbelastung durch Chemikalien wie Kältemittel usw. beizutragen. Es dient auch dem Recycling aller wiederverwendbaren Teile. Wenden Sie sich als Verbraucher an Ihren Händler oder örtliche Behörden (Kommunalverwaltung, Bürgermeister usw.), um Einzelheiten zu Entsorgung/Recycling Ihres Altgerätes zu erhalten.

FR

Ce marquage indique que ce produit ne doit pas être éliminé avec d'autres déchets ménagers dans l'UE. Afin d'éviter qu'une mise au rebut incontrôlée des déchets ne nuise à l'environnement ou à la santé humaine, recyclez l'appareil de manière responsable afin de promouvoir la réutilisation durable des ressources matérielles. Pour retourner votre appareil, veuillez utiliser les systèmes de retour et de collecte ou contacter le détaillant chez lequel le produit a été acheté. Il peut reprendre ce produit pour un recyclage environnemental sûr.

ES

Este marcado indica que este producto no se debe eliminar con otros desechos domésticos en toda la UE. Para evitar posibles daños al medio ambiente o a la salud de las personas a raíz de la eliminación incontrolada de desechos, recíclelo de una manera responsable para fomentar la reutilización sostenible de los recursos materiales. Para devolvernos su dispositivo, utilice los sistemas de devolución y recogida o póngase en contacto con el minorista donde compró el producto. Pueden llevarse este producto y reciclarlo de manera que sea seguro para el medio ambiente.

NL

Deze markering geeft aan dat dit product in de EU niet met andere huishoudelijke afvalstoffen mag worden verwijderd. Om eventuele schade aan het milieu of gezondheid door ongecontroleerde afvalverwijdering te vermijden, moet u het verantwoord recyclen om het duurzame hergebruik van grondstoffen te stimuleren. Als een consument, bij het afdanken van dit product, kunt u contact opnemen met uw handelaar of uw plaatselijke autoriteiten (plaatselijk bestuur, burgemeester enz.) om details te verkrijgen over het recycleren van dit product. Zij kunnen dit product accepteren voor milieuveilig recyclen.

PL



Oznakowanie to wskazuje, że produkt nie powinien być wyrzucany z innymi odpadami komunalnymi na terenie UE. W celu zapobieżenia ewentualnym szkodom dla środowiska lub zdrowia ludzkiego przez niekontrolowaną utylizacją odpadów, urządzenie należy poddać recyklingowi w sposób odpowiedzialny, aby umożliwić ponowne wykorzystanie materiałów. Aby zwrócić urządzenie, należy postępować zgodnie z systemem zwrotu i odbioru lub skontaktować się ze sprzedawcą, u którego zakupiono produkt. Może on przyjąć ten produkt, aby poddać go bezpiecznemu recyklingowi.

RO



Acest marcaj indică faptul că acest produs nu trebuie eliminat cu alte deșeuri menajere în întreaga UE. Pentru a preveni eventualele prejudicii aduse mediului sau sănătății umane din cauza eliminării necontrolate a deșeurilor, reciclajul aparatului în mod responsabil pentru a promova reutilizarea durabilă a resurselor materiale. Pentru a ne returna dispozitivul dvs., vă rugăm să utilizați sistemele de colectare și returnare sau să contactați distribuitorul de la care a fost achiziționat produsul. Acesta poate prelua acest produs în vederea reciclării în condiții de siguranță a mediului.

FI



Merkinnän mukaisesti tuotetta ei saa hävittää talousjätteen mukana EU:n alueella. Kierrätä tuote vastuullisesti ja edistä materiaalien kestävää käyttöä. Samalla ehkäiset valvomattoman jätteiden hävittämisen aiheuttamia riskejä ympäristölle ja ihmisten terveydelle. Jos haluat palauttaa laitteen, käytä palautus- ja keräysjärjestelmiä tai ota yhteyttä siihen jälleenmyyjään, jolta tuote on ostettu. He voivat kierrättää tuotteen ympäristöystävällisesti.

LT



Šis žyma rodo, kad šio gaminio nereikėtų išmesti su kitomis buitinėmis atliekomis visoje ES. Siekiant išvengti galimos nekontroliuojamo atliekų šalinimo sukeltos žalos aplinkai ar žmogaus sveikatai, ji atsakingai utiliizuokite, kad būtų skatinamas tvarus pakartotinis materialų išteklių naudojimas. Jei norite įrenginį grąžinti mums, naudokitės grąžinimo ir surinkimo sistemomis arba kreipkitės į pardavėją, kur buvo įsigytas gaminys. Jie gali priimti šį gaminį, kad jis būtų perdirbtas nepakenkiant aplinkai.

LV



Šis žymėjimas reiškia, kad produkto negalima išmesti kartu su buitinėmis atliekomis. Siekiant apsaugoti aplinką ir žmonių sveikatą nuo galimos žalos, atsakingai rūšiuokite atliekas, remkite perdirbimą ir antrinį medžiagų panaudojimą. Norėdami išmesti naudotą prietaisą, prašome naudotis buitinių prietaisų surinkimo sistemomis arba pristatykite prietaisą pardavėjui. Jis gali atiduoti prietaisą saugiam perdirbimui.

EE



See mark näitab, et seadet ei tohi terves Elis utiliseerida koos teiste tavapäraste koduste jäätmetega. Et vältida võimalikku kahju keskkonnale või inimeste tervisele, mis võib tekkida kontrollimatust seadme utiliseerimisest, taaskasutage seda vastutustundlikult, et edendada materiaalsete ressursside säästvat taaskasutamist. Meie seadme tagastamiseks kasutage tagastamis- ja kogumissüsteeme või võtke ühendust jaemüüjaga, kelle käest toote ostsite. Müüja saab korraldada toote keskkonnasäästliku ringlussevõtu.

EL



Η σήμανση αυτή υποδεικνύει ότι το προϊόν αυτό δεν πρέπει να απορρίπτεται με άλλα οικιακά απόβλητα σε ολόκληρη την Ε.Ε. Για την αποτροπή ενδεχόμενης βλάβης του περιβάλλοντος ή της ανθρώπινης υγείας από την ανεξέλεγκτη διάθεση αποβλήτων, ανακυκλώστε το υπεύθυνα για την προώθηση της αειφόρου επανάχρησης των υλικών πόρων. Για να μας επιστρέψετε τη συσκευή σας, παρακαλούμε χρησιμοποιήστε τα συστήματα επιστροφής και συλλογής ή επικοινωνήστε με το κατάστημα λιανικής πώλησης όπου αγοράσατε το προϊόν. Μπορούν να πάρουν αυτό το προϊόν για περιβαλλοντικά ασφαλή ανακύκλωση.

IS



Þetta merki gefur til kynna að ekki skuli farga tækinu með öðru heimilissorpi innan Evrópu. Til að koma í veg fyrir mögulegt umhverfis- eða heilsutjón vegna rangrar förgunar skal koma tækinu í endurvinnslu þannig að förgun efna fari fram ábyrgan og sjálfbæran hátt. Þegar þú skilar tækinu skaltu nota skila- og söfnunarkerfi eða hafa samband við söluaðila tækinsins. Þeir geta tekið við tækinu og komið því til endurvinnslu.

Wood's is marketed and distributed by:

TES Scandinavia AB.

Maskingatan 2-4

441 27, Alingsås

Sweden.

woods.se

info@woods.se

+46 317613610

Wood's